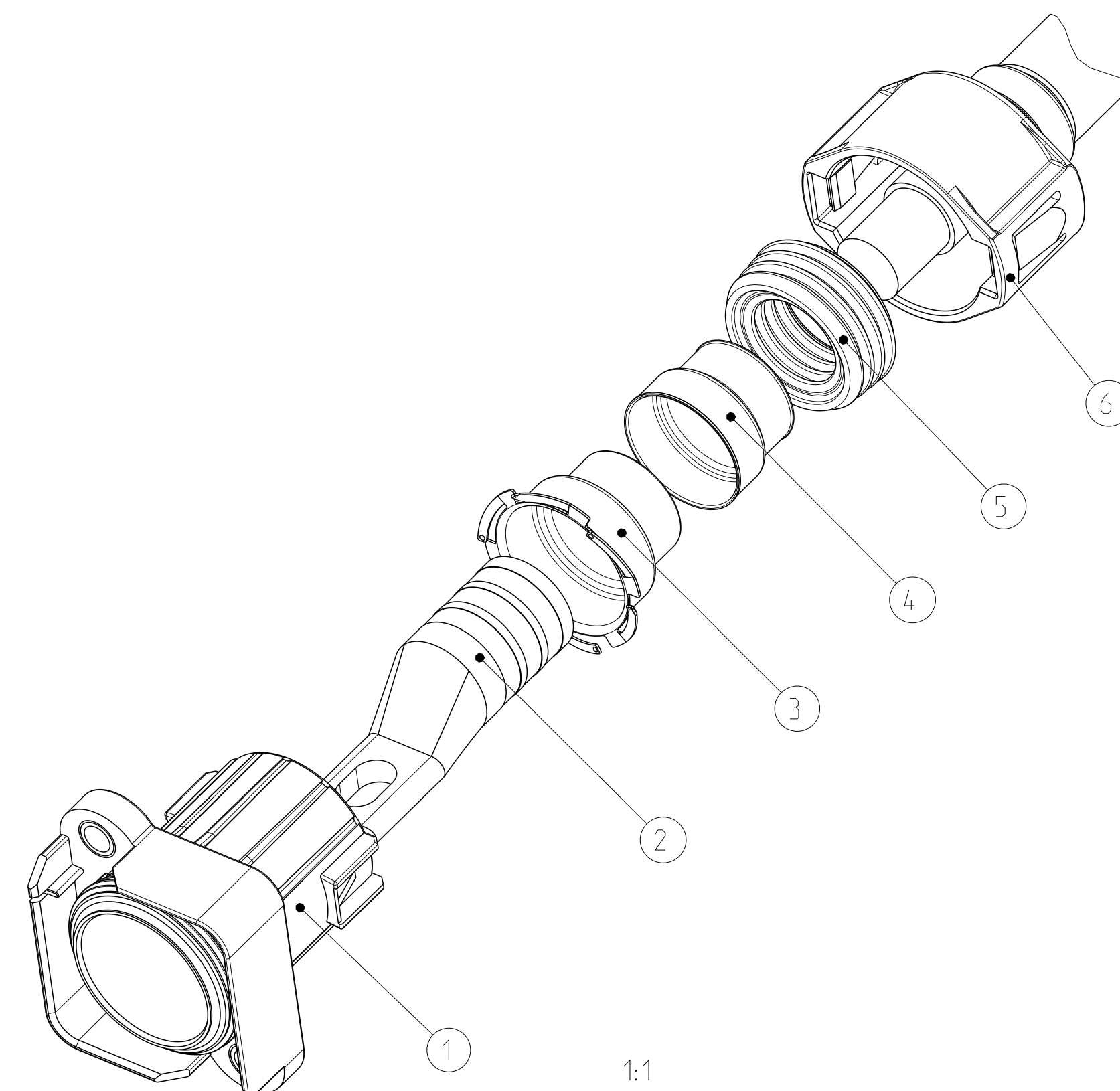
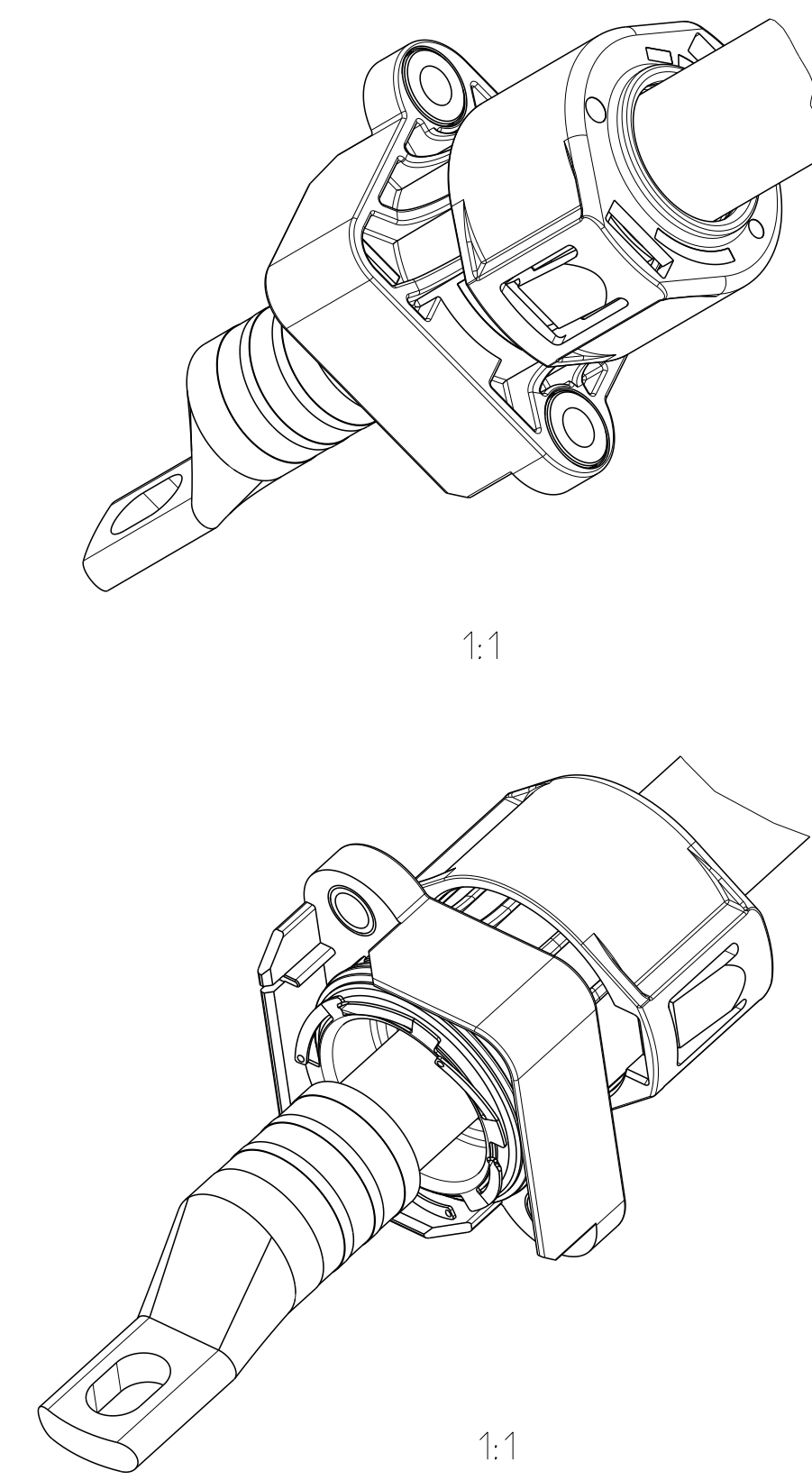


EXPLODED VIEW/Explosionsansicht

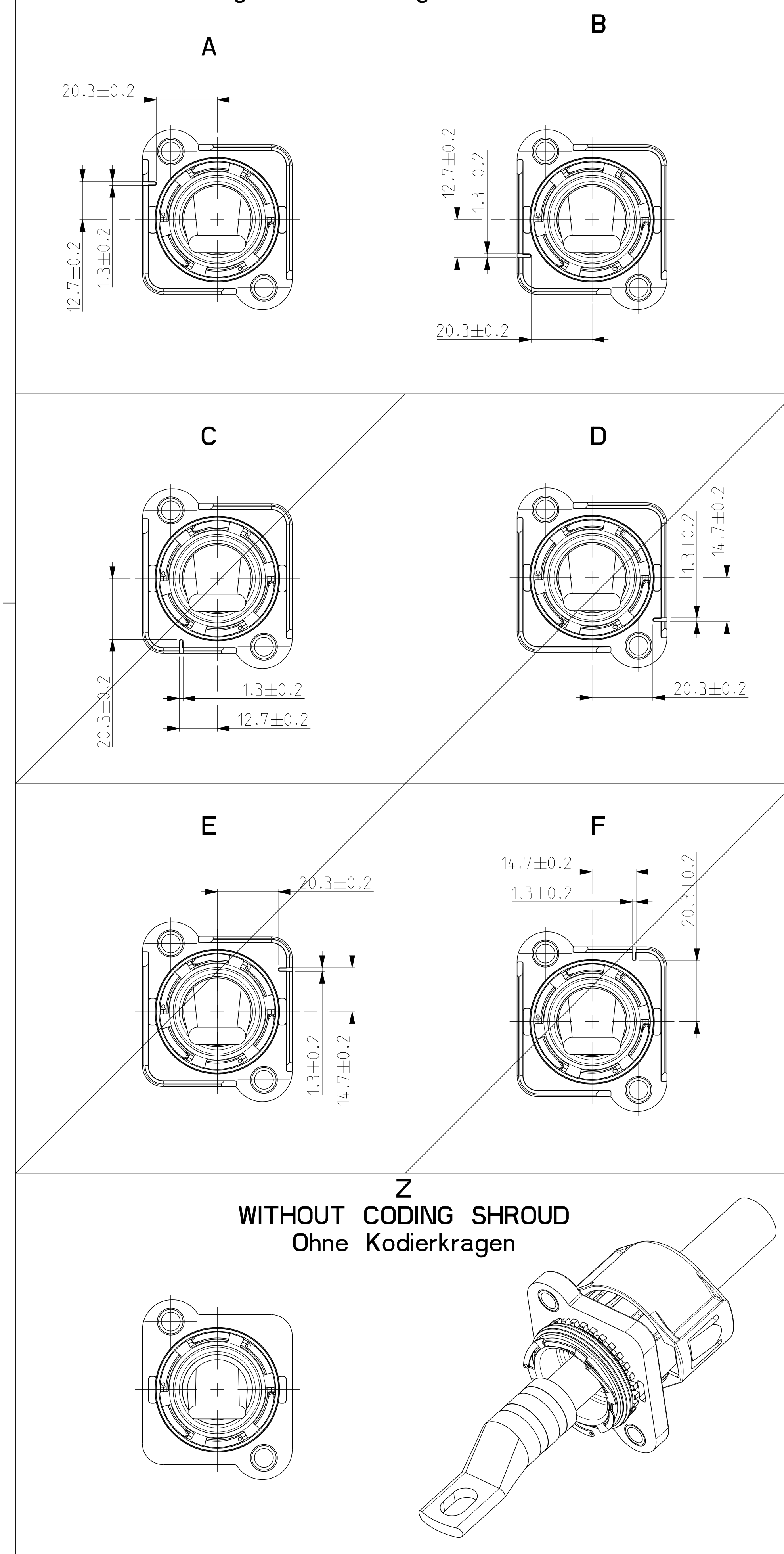


3D VIEWS/3D-Ansichten



REVISIONS		DATE	BY	APPV
A1	DRAWING RELEASE	08APR2008	A MA	MEC
A2	SEE ECR-08-026789	20MAY2008	A MA	MEC
A3	NEW PART VARIANTS ADDED FOR 95 COROPLAST	23MAY2022	LJM	PR
A4	ADDED MISSING DETAILS IN BOM FOR 95 (H+S)	20DEC2022	LJM	PR

AVAILABLE CODINGS FOR INFORMATION  
Verfügbare Kodierungen zur Information



QTY																								COD	TITLE	TE-ORDER-NO.	QTY	PART DESCRIPTION	MATERIAL	SURFACE FINISH/ COLOUR	ITEM Pos.
A	B	C	D	E	F	Z	A	B	C	D	E	F	Z	A	B	C	D	E	F	Z											
1	1	1	1	1	1	1	1	1	1	1	1	1	1	1	1	1	1	1	1	1	1	-	PROTECTION CAP, 95mm <sup>2</sup> Schutzkappe, IPT 95mm <sup>2</sup>	1670821-4	1	-	PA66-GF35	BLACK/schwarz RAL 9011	6		
																						-	PROTECTION CAP, 70mm <sup>2</sup> Schutzkappe, IPT 70mm <sup>2</sup>	1670821-2	1	-	PA66-GF35	BLACK/schwarz RAL 9011	6		
																						-	PROTECTION CAP, 95/120mm <sup>2</sup> Schutzkappe, IPT 95/120mm <sup>2</sup>	1670821-1	1	-	PA66-GF35	BLACK/schwarz RAL 9011	6		
																						1	SINGLE WIRE SEAL, PLUG TERM, 95mm <sup>2</sup> Einzelleitungs-dichtung, Stecker-Einheit, 95mm <sup>2</sup>	1670820-4	1	-	MVQ	RED/Rot RAL 3020	5		
																						1	SINGLE WIRE SEAL, PLUG TERM, 70mm <sup>2</sup> Einzelleitungs-dichtung, Stecker-Einheit, 70mm <sup>2</sup>	1670820-2	1	-	MVQ	GREEN/gruen	5		
																						1	SINGLE WIRE SEAL, PLUG TERM, 95/120mm <sup>2</sup> Einzelleitungs-dichtung, Stecker-Einheit, 95/120mm <sup>2</sup>	1670820-1	1	-	MVQ	NATURE/natur	5		
																						1	EMC, CRIMP SLEEVE, IPT 70mm <sup>2</sup> EMV, Crimp Huelse, IPT 70mm <sup>2</sup>	1670813-2	1	-	STAINLESS STEEL Edelstahl	BLANK/blank	4		
																						1	EMC, CRIMP SLEEVE, IPT 95/120mm <sup>2</sup> EMV, Crimp Huelse, IPT 95/120mm <sup>2</sup>	1670813-1	1	-	STAINLESS STEEL Edelstahl	BLANK/blank	4		
																						1	EMC, CRIMP CONTACT, IPT 70-120mm <sup>2</sup> EMC, Crimp Kontakt, IPT 70-120mm <sup>2</sup>	1670814-2	1	-	STAINLESS STEEL Edelstahl	SILVER PLATED/ versilbert	3		
																						1	EMC, CRIMP CONTACT, IPT 70-120mm <sup>2</sup> EMC, Crimp Kontakt, IPT 70-120mm <sup>2</sup>	1670814-1	1	-	STAINLESS STEEL Edelstahl	BLANK/blank	3		
																						1	RING TONGUE, IPT 120mm <sup>2</sup> Kabelschuh, IPT 120mm <sup>2</sup>	1670815-3	1	-	Cu	tined/verzinkt	2		
																						1	RING TONGUE, IPT 95mm <sup>2</sup> Kabelschuh, IPT 95mm <sup>2</sup>	1670815-2	1	-	Cu	tined/verzinkt	2		
																						1	RING TONGUE, IPT 70mm <sup>2</sup> Kabelschuh, IPT 70mm <sup>2</sup>	1670815-1	1	-	Cu	tined/verzinkt	2		
																						1	1POS. RING TONGUE, HOUSING, ASSY 1pol. Kabelschuh, Gehaeuse, Assy	9-1670816-1	1	-	MVQ	NATURE/natur	1		
																						1	1POS. RING TONGUE, HOUSING, IPT 1pol. Kabelschuh, Gehaeuse, IPT	6-1670816-1	1	-	PA66-GF35	BLACK/schwarz RAL 9011	1		
																						2	SLEEVE, IPT 70 TO 120mm <sup>2</sup> Huelse, IPT 70 bis 120mm <sup>2</sup>		2	-	CuZn39	Ni			
																						1	1POS. RING TONGUE, HOUSING, IPT 1pol. Kabelschuh, Gehaeuse, IPT	5-1670816-1	1	-	PA66-GF35	BLACK/schwarz RAL 9011	1		
																						2	SLEEVE, IPT 70 TO 120mm <sup>2</sup> Huelse, IPT 70 bis 120mm <sup>2</sup>		2	-	CuZn39	Ni			
																						1	1POS. RING TONGUE, HOUSING, IPT 1pol. Kabelschuh, Gehaeuse, IPT	4-1670816-1	1	-	PA66-GF35	BLACK/schwarz RAL 9011	1		
																						2	SLEEVE, IPT 70 TO 120mm <sup>2</sup> Huelse, IPT 70 bis 120mm <sup>2</sup>		2	-	CuZn39	Ni			
																						1	1POS. RING TONGUE, HOUSING, IPT 1pol. Kabelschuh, Gehaeuse, IPT	3-1670816-1	1	-	PA66-GF35	BLACK/schwarz RAL 9011	1		
																						2	SLEEVE, IPT 70 TO 120mm <sup>2</sup> Huelse, IPT 70 bis 120mm <sup>2</sup>		2	-	CuZn39	Ni			
																						1	1POS. RING TONGUE, HOUSING, IPT 1pol. Kabelschuh, Gehaeuse, IPT	2-1670816-1	1	-	PA66-GF35	BLACK/schwarz RAL 9011	1		
																						2	SLEEVE, IPT 70 TO 120mm <sup>2</sup> Huelse, IPT 70 bis 120mm <sup>2</sup>		2	-	CuZn39	Ni			
																						1	1POS. RING TONGUE, HOUSING, IPT 1pol. Kabelschuh, Gehaeuse, IPT	1-1670816-1	1	-	PA66-GF35	BLACK/schwarz RAL 9011	1		
																						2	SLEEVE, IPT 70 TO 120mm <sup>2</sup> Huelse, IPT 70 bis 120mm <sup>2</sup>		2	-	CuZn39	Ni			

A	B	C	D	E	F	Z	A	B	C	D	E	F	Z	A	B	C	D	E	F	Z	A	B	C	D	E	F	Z	COD	TITLE	TE-ORDER-NO.	QTY	PART DESCRIPTION	MATERIAL	SURFACE FINISH/ COLOUR	ITEM Pos.										
1							1							1								1							1	1POS. TERMINAL SCREWED, ASSY 1pol. Terminal geschraubt, Assy	120	1	1POS. TERMINAL SCREWED, ASSY 1pol. Terminal geschraubt, Assy	95 (H+S)	1	1	1POS. TERMINAL SCREWED, ASSY 1pol. Terminal geschraubt, Assy	70	1	1	1POS. TERMINAL SCREWED, ASSY 1pol. Terminal geschraubt, Assy	95 COROPLAST	1	1	WIRE SIZE [mm <sup>2</sup> ] Leitungsquers.

- ONLY THE GERMAN LANGUAGE VERSION IS AUTHORITATIVE  
Massgebend ist nur der deutsche Text
  - NOT FOR SALE, DESCRIBE ONLY THE MOUNTING STATE  
Kein Verkaufsteil, stellt einzig den Montagezustand dar
  - SPECIFIED WIRE RANGE: SEE  
Spezifizierter Leitungsquerschnitt: siehe
  - IPT HOUSING CAN BE ORDERED WITH AND WITHOUT CODING SHROUD.  
WITHOUT CODING SHROUD: SEE CODING Z  
IPT Gehaeuse kann mit und ohne Kodierkragen bestellt werden.  
Ohne Kodierkragen: Siehe Kodierung Z
  - FOR CONNECTING GEOMETRY FRAMES SEE 114-18737  
Fuer Verbinden Von Geometrie-Rahmen Siehe
  - PRODUCT-SPEC. 108-94026  
Produkt-Spez.
  - APPLICATION-SPEC. 114-18769  
Verarbeitungs-Spez.
- 95mm<sup>2</sup> CODING A AS SHOWN  
95mm<sup>2</sup> Kodierung A wie gezeigt

THIS DRAWING IS A CONTROLLED DOCUMENT. DIMENSIONING AND TOLERANCING PER GPS 1550 STANDARDS. UNLESS OTHERWISE SPECIFIED, DIMENSIONS ARE IN MILLIMETERS.

DATE: 08APR2008  
DRAWN BY: W. MAIER  
CHECKED BY: M. ECKEL  
APPROVED BY: J. WOLLEK  
PRODUCT SPEC: 108-94026  
APPLICATION SPEC: 114-18769  
REVISION: A4

STE TE Connectivity

TERMINAL IPT 70-120mmsq. ASSY OVERVIEW  
Terminal IPT 70-120mmsq. Assy Ubersicht

MATERIAL: SEE TABLE  
FINISH: SEE TABLE  
SCALE: 1:1  
SHEET: 11  
OF: 1