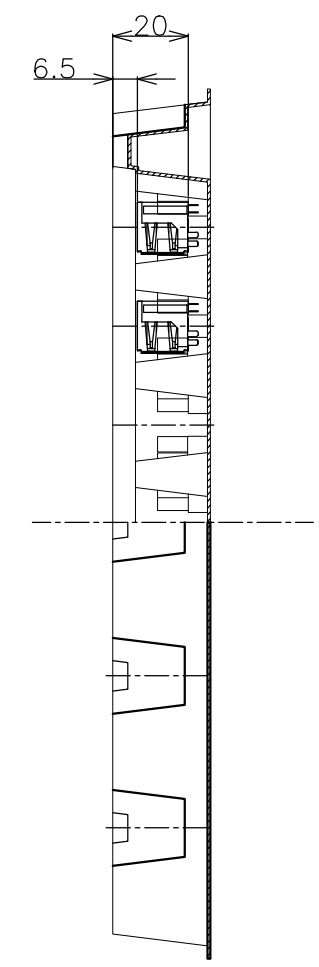
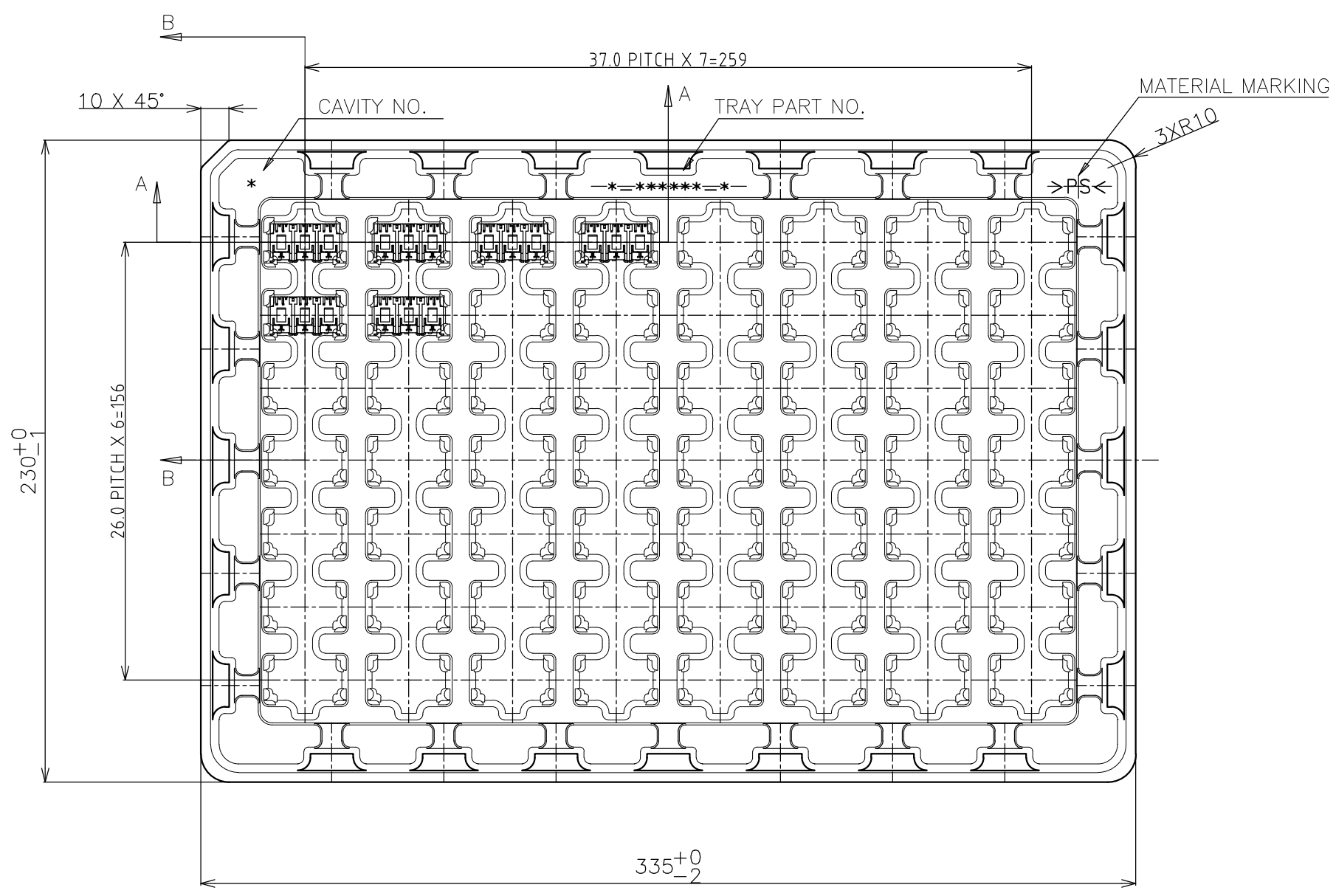
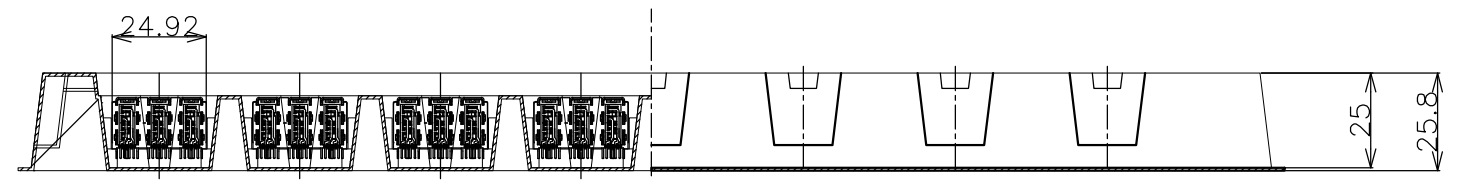


THIS DRAWING IS UNPUBLISHED. RELEASED FOR PUBLICATION  
 © COPYRIGHT BY TYCO ELECTRONICS CORPORATION. ALL RIGHTS RESERVED.

LOC ES	DIST /	REVISIONS			
P	LTR	DESCRIPTION	DATE	DWN	APVD
	P	REVISED PER ECR-15-016523	16NOV2015	T.Z	H.W



SECTION B-B



SECTION A-A

Ⓟ OBSOLETE	△	1674456=3
	FINISH	PART NO.

THIS DRAWING IS A CONTROLLED DOCUMENT.		DWN B.WONG 30NOV05	<b>tyco</b> Electronics		Tyco Electronics Corporation Shanghai, P.R.China, 200233	
DIMENSIONS: MM		CHK G.ZHANG 30NOV05			NAME	
TOLERANCES UNLESS OTHERWISE SPECIFIED:		APVD S.YAO 30NOV05	PRODUCT SPEC		HARD TRAY ASSY USB CONNECTOR REC 3P	
0 PLC ± 0.3		APPLICATION SPEC		SIZE	CAGE CODE	DRAWING NO
1 PLC ± 0.3		WEIGHT		A3	00779	C-1674456
2 PLC ± 0.3		CUSTOMER DRAWING		SCALE		SHEET
3 PLC ± 0.3				2:1		1 OF 3
4 PLC ± 0.3						REV
ANGLES ± 3'						P
FINISH						
①	②					

THIS DRAWING IS UNPUBLISHED. RELEASED FOR PUBLICATION

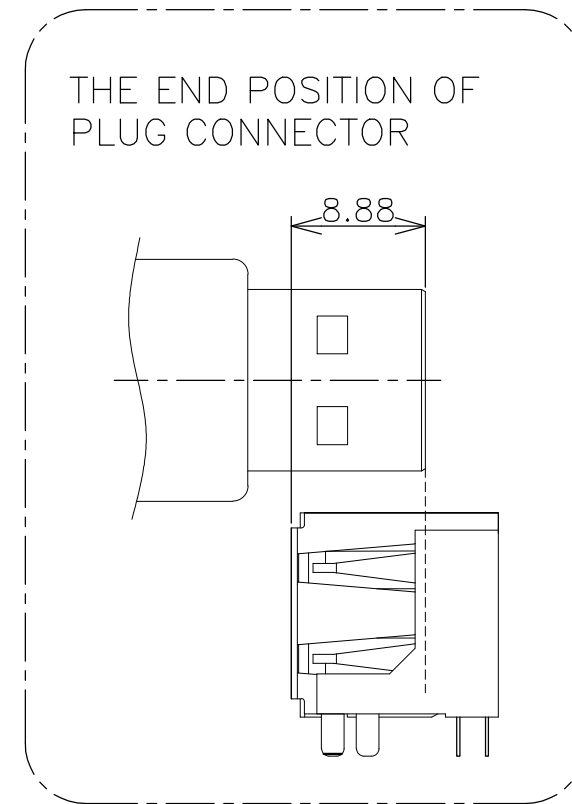
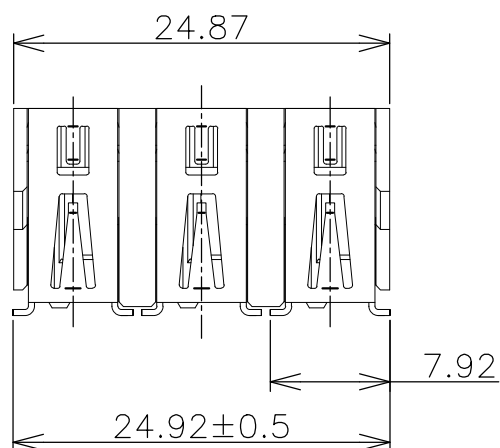
© COPYRIGHT BY TYCO ELECTRONICS CORPORATION. ALL RIGHTS RESERVED.

LOC ES DIST

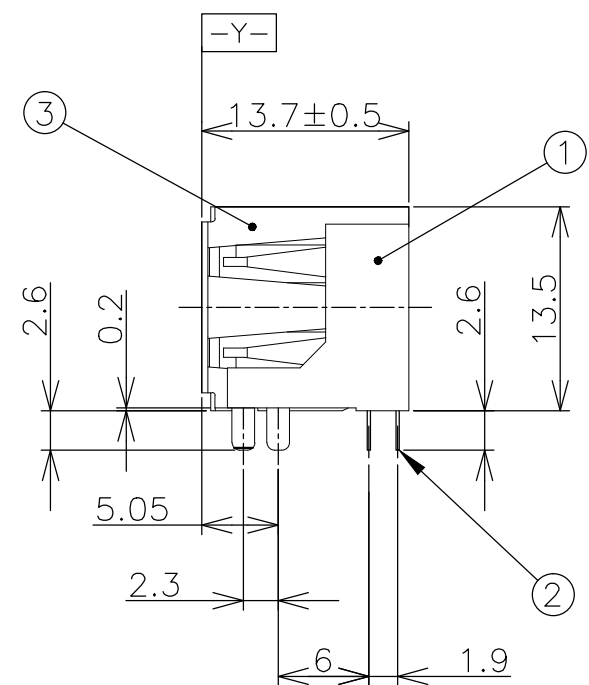
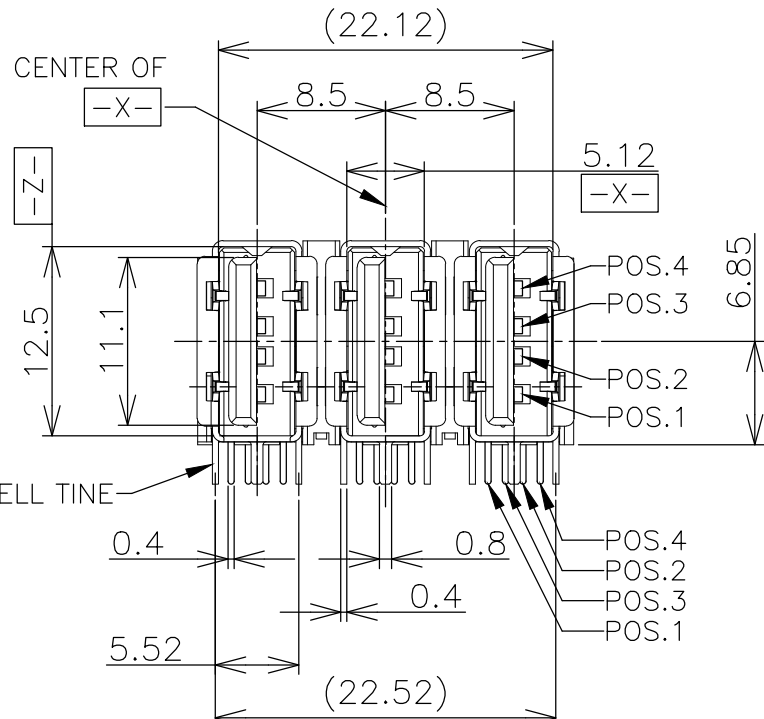
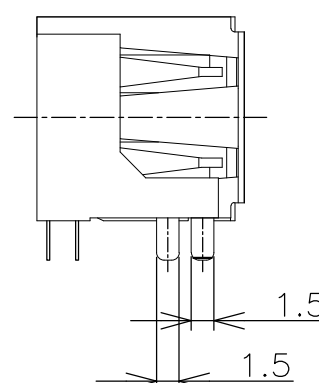
REVISIONS

P	LTR	DESCRIPTION	DATE	DWN	APVD
		SEE SHEET 1			

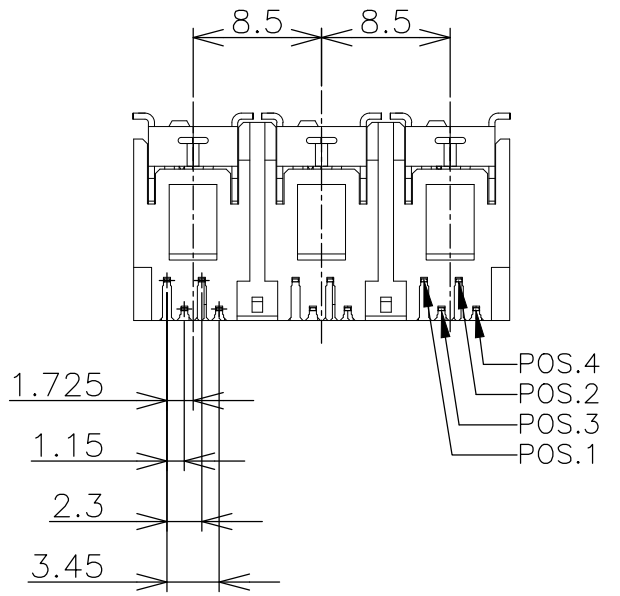
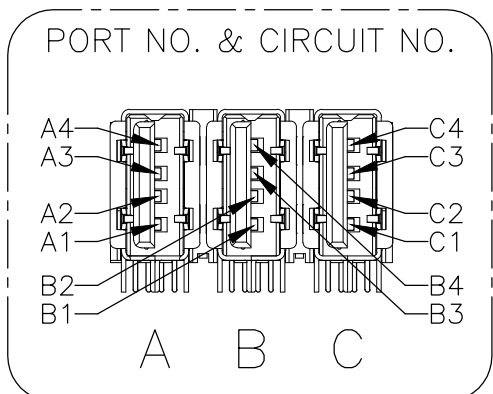
FRONT SHELL	③
CONTACT	②
HOUSING	①
NAME	ITEM No.



THE END POSITION OF PLUG CONNECTOR



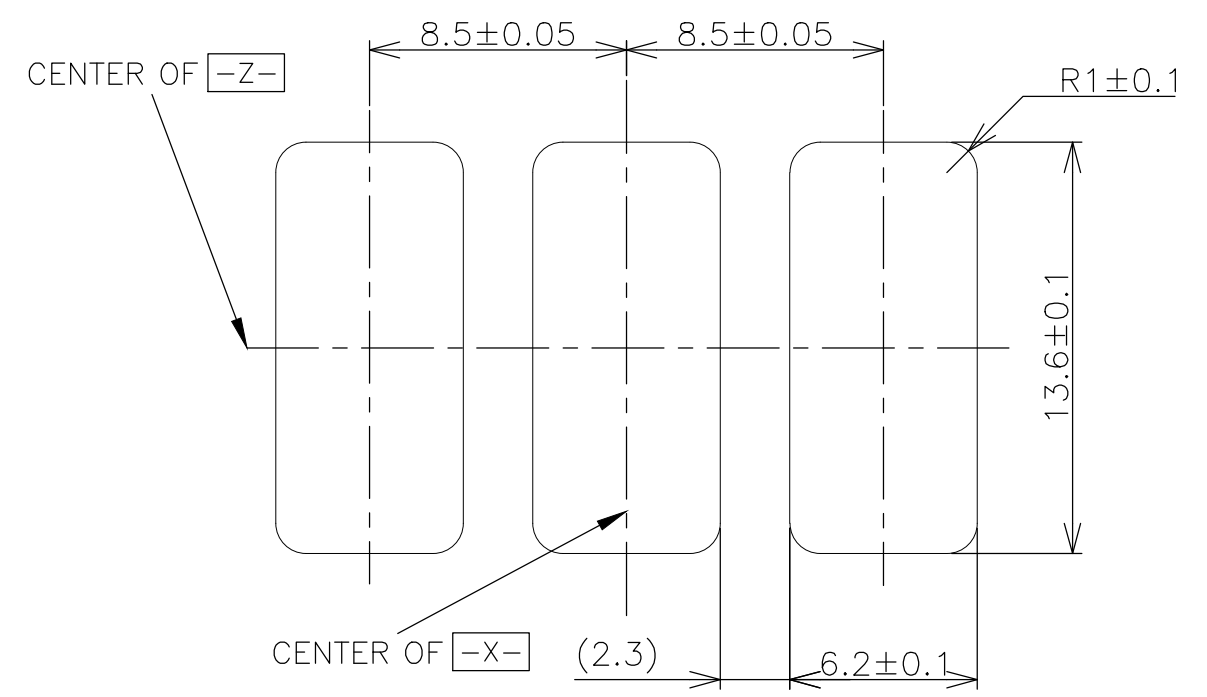
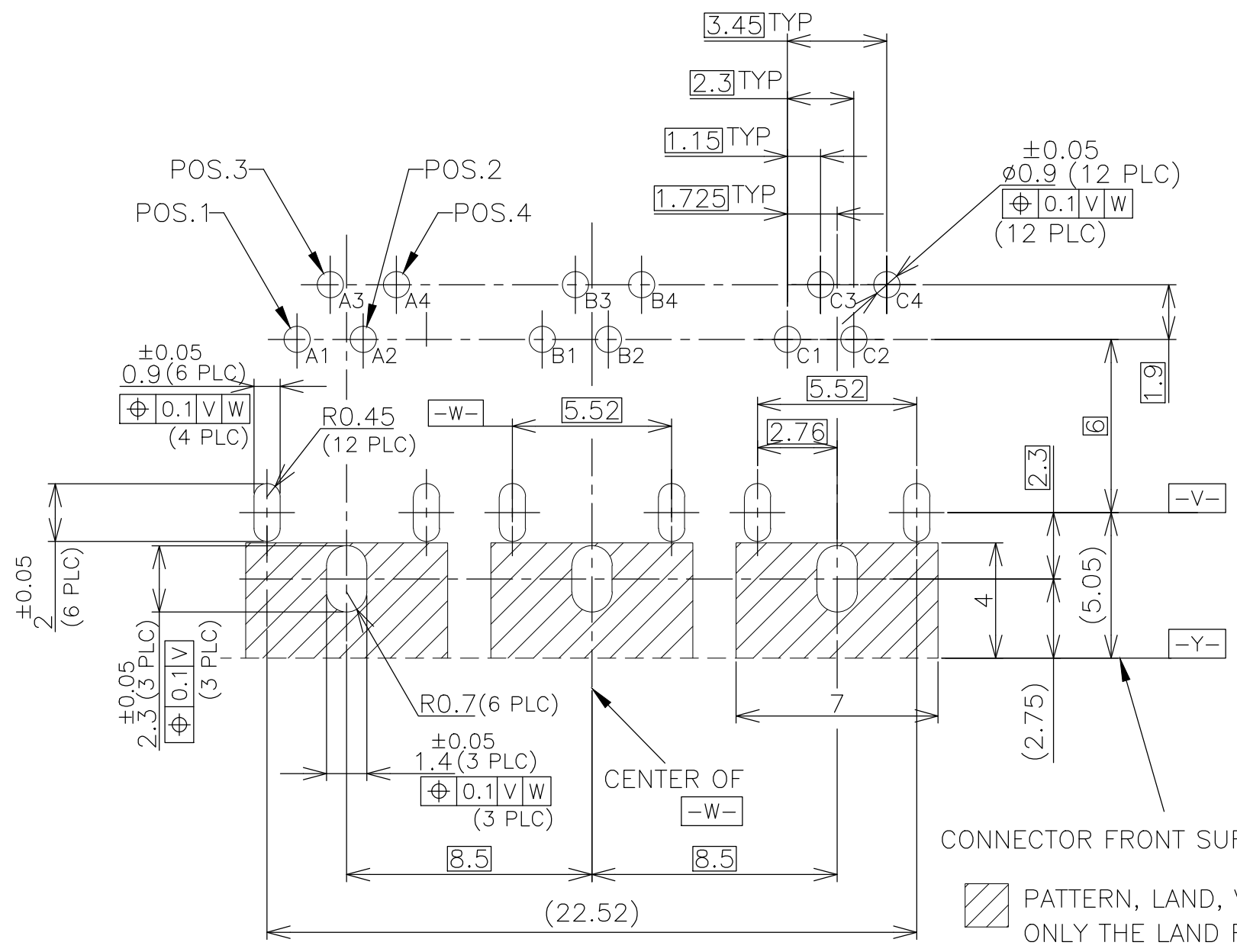
- ① MATERIAL  
HOUSING: THERMO-PLASTICS UL94V-0 BLACK  
CONTACT: COPPER ALLOY  
FRONT SHELL: COPPER ALLOY
- ② FINISH  
CONTACT: NICKEL UNDER PLATE ALL OVER.  
CONTACT AREA: GOLD PLATE  
TINE AREA: TIN PLATING  
FRONT SHELL: TIN PLATE



THIS DRAWING IS A CONTROLLED DOCUMENT.		DWN		Tyco Electronics Corporation Shanghai, P.R.China, 200233	
DIMENSIONS: MM		CHK			
TOLERANCES UNLESS OTHERWISE SPECIFIED:		APVD		NAME	
0 PLC ± 0.3		PRODUCT SPEC		HARD TRAY ASSY	
1 PLC ± 0.3		APPLICATION SPEC		USB CONNECTOR	
2 PLC ± 0.3		WEIGHT		REC 3P	
3 PLC ± 0.3		SIZE		CAGE CODE	
4 PLC ± 0.3		A3		00779	
ANGLES ± 3°		DRAWING NO		C-1674456	
FINISH		CUSTOMER DRAWING		RESTRICTED TO	
		SCALE		SHEET	
		2:1		2 OF 3	
				REV P	

THIS DRAWING IS UNPUBLISHED. RELEASED FOR PUBLICATION  
 © COPYRIGHT BY TYCO ELECTRONICS CORPORATION. ALL RIGHTS RESERVED.

LOC	DIST	REVISIONS				
P	LTR	DESCRIPTION	DATE	DWN	APVD	
ES		SEE SHEET 1	-	-	-	



\* THIS DIMENSIONS ARE NOT CONSIDERATION  
 PANEL TOLERANCE AND PANEL ASSEMBLY TOLERANCE.

### RECOMMENDED PANEL DIMENSION (SCALE 4:1)

RECOMMENDED LAYOUT OF P.C.B  
 (CONNECTOR MOUNTING SIDE)  
 RECOMMENDED THICKNESS: 1.0~1.6mm

CONNECTOR FRONT SURFACE  
 PATTERN, LAND, VIA HOLE, MOUNT, PROHIBITION AREA.  
 ONLY THE LAND FOR SOLDERING OF FRONT SHELL IS OK.

THIS DRAWING IS A CONTROLLED DOCUMENT.		DWN		Tyco Electronics Corporation Shanghai, P.R.China, 200233 <b>HARD TRAY ASSY          USB CONNECTOR          REC 3P</b>			
DIMENSIONS: MM		CHK					
		APVD					
		PRODUCT SPEC					
MATERIAL		WEIGHT		NAME	RESTRICTED TO		
FINISH		APPLICATION SPEC		SIZE	CAGE CODE	DRAWING NO	RESTRICTED TO
TOLERANCES UNLESS OTHERWISE SPECIFIED:		APVD		A3 00779		C-1674456	
0 PLC ± 0.3		PRODUCT SPEC		SCALE		SHEET 3 OF 3	
1 PLC ± 0.3		APPLICATION SPEC		5:1		REV P	
2 PLC ± 0.3		APVD		CUSTOMER DRAWING			
3 PLC ± 0.3		PRODUCT SPEC					
4 PLC ± 0.3		APPLICATION SPEC					
ANGLES ± 3°		APVD					