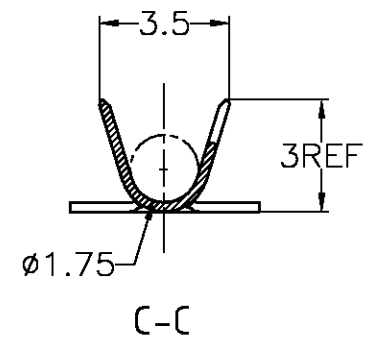
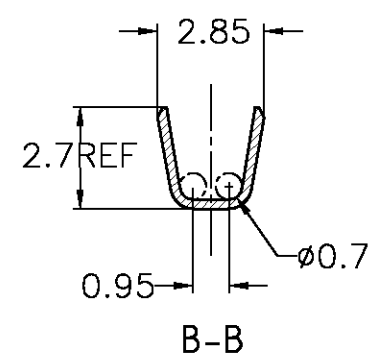
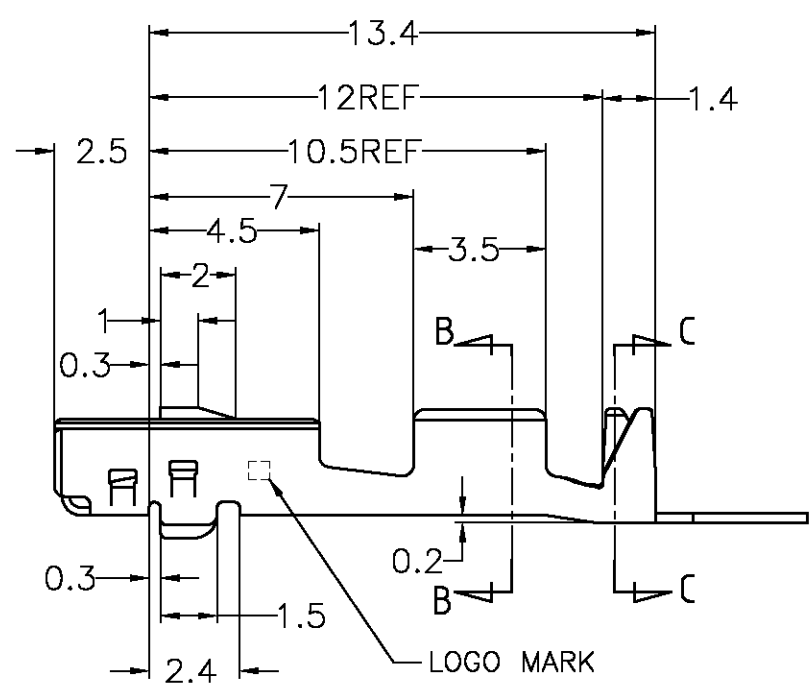
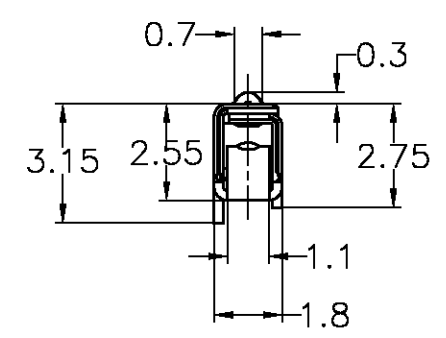
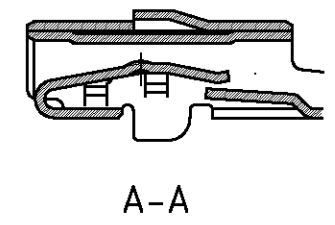
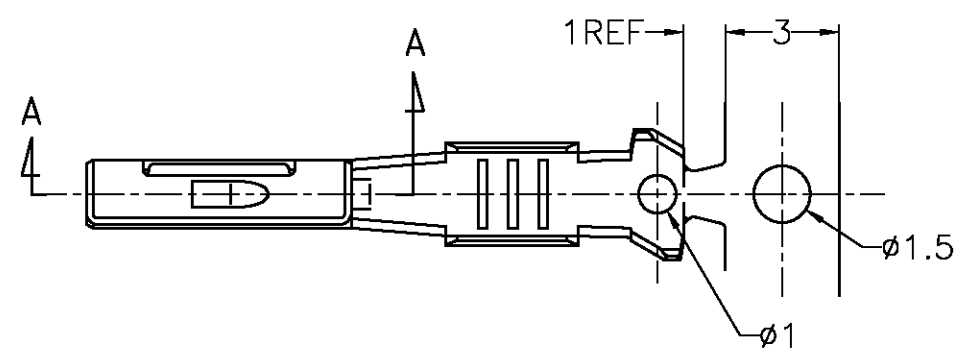


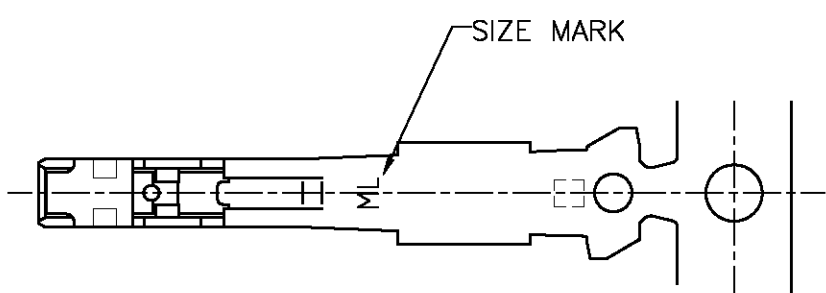
THIS DRAWING IS UNPUBLISHED. RELEASED FOR PUBLICATION
 © COPYRIGHT BY TYCO ELECTRONICS CORPORATION. ALL INTERNATIONAL RIGHTS RESERVED.

LOC	DIST	REVISIONS			DATE	DWN	APVD
J	—	P	LTR	DESCRIPTION			
		A	REVISED	変更	ECR-11-001605	02FEB11	TS KB



1.適用電線 ; AVSS,CAVS,CAVUS 1.25mm²
 CHFUS 1.5mm²
 HFSS-f 1.5mm²

1.APPLICABLE WIRE RANGE ; AVSS,CAVS,CAVUS 1.25mm²
 CHFUS 1.5mm²
 HFSS-f 1.5mm²



PRE-TIN	1674769-1		
FINISH	PART NUMBER		
Tyco Electronics Corporation Kawasaki, Japan			
NAME 名称 040III UNSEALED CONTACT, RECEPTACLE (ML) Sn			
SIZE	CAGE CODE	DRAWING NO	RESTRICTED TO
A3	00779	C-1674769	—
SCALE 尺度 5:1		SHEET 1 OF 1	REV A

THIS DRAWING IS A CONTROLLED DOCUMENT.		DWN Y.KAWAHARA 07JUL2003
DIMENSIONS: 単位: 耗 mm		CHK H.YAMAGAMI 07JUL2003
TOLERANCES UNLESS OTHERWISE SPECIFIED: 一般公差 ±0.3		APVD K.ASAI 07JUL2003
0 PLC ± 1 PLC ± 2 PLC ± 3 PLC ± 4 PLC ± ANGLES ±3°	FINISH 仕上 SEE TABLE	PRODUCT SPEC 製品規格 APPLICATION SPEC 取付適用規格 114-5217 WEIGHT 0.3g
MATERIAL 材料 COPPER ALLOY		CUSTOMER DRAWING