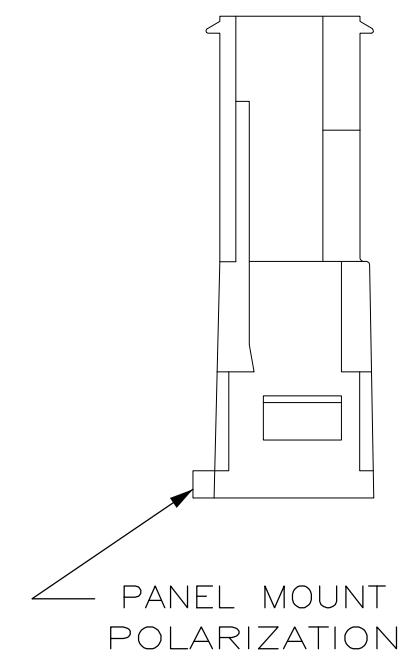
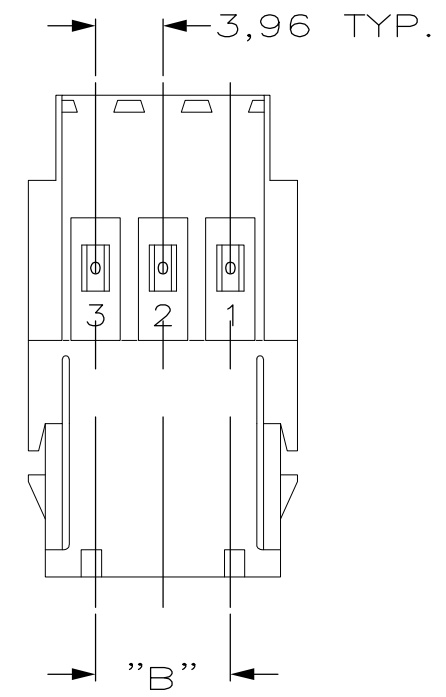
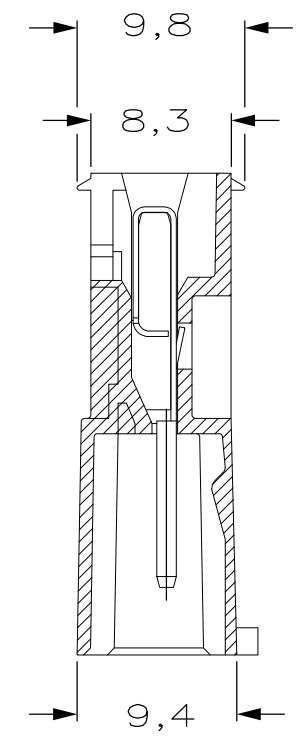
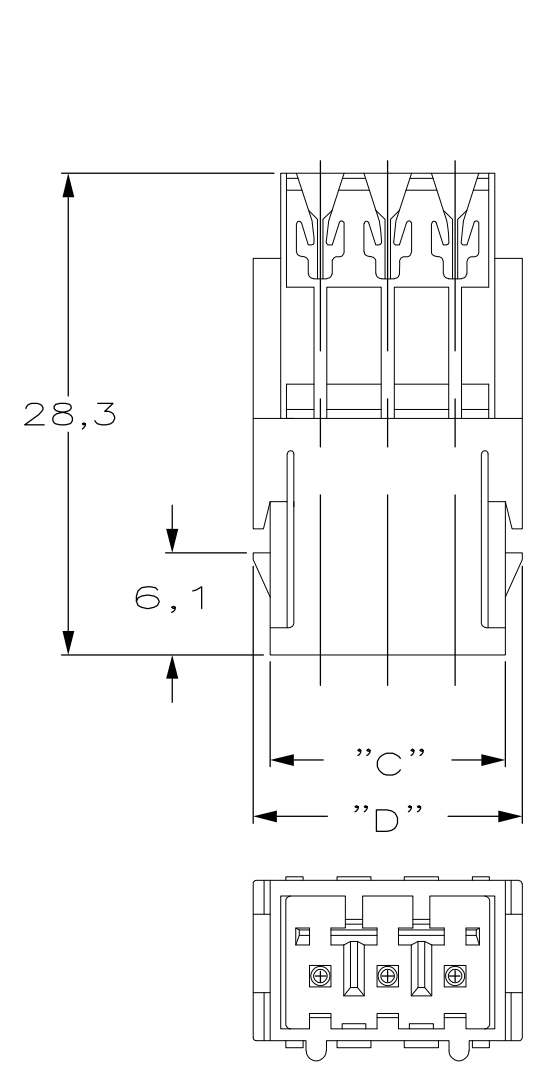


THIS DRAWING IS UNPUBLISHED. RELEASED FOR PUBLICATION  
 © COPYRIGHT - BY TYCO ELECTRONICS CORPORATION. ALL INTERNATIONAL RIGHTS RESERVED.

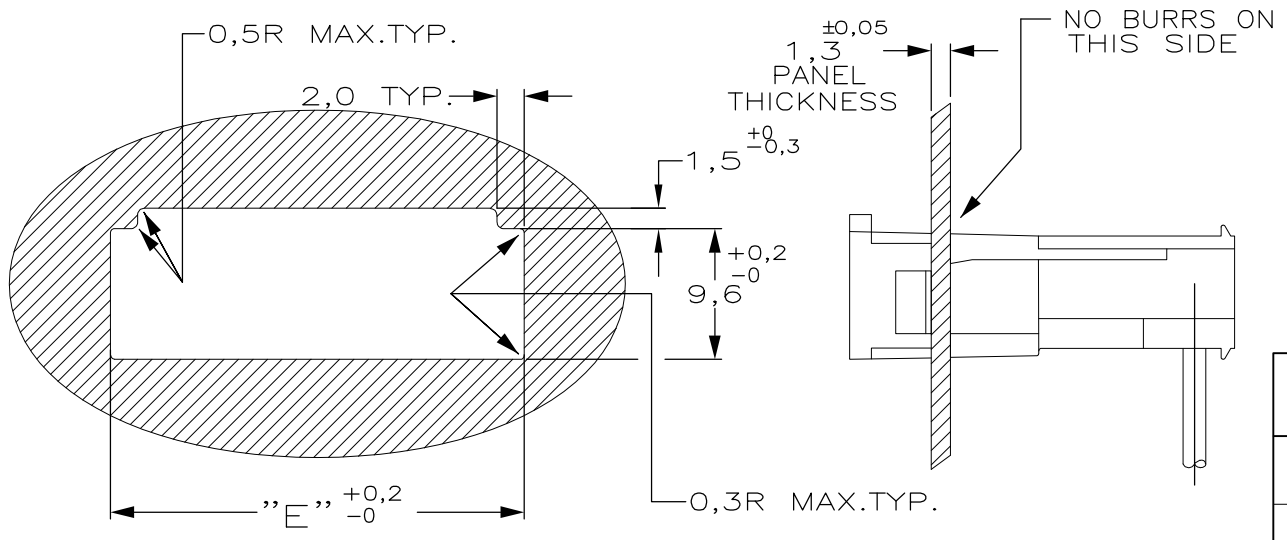
LOC	DIST	REVISIONS					
		P	LTR	DESCRIPTION	DATE	DWN	APVD
-	-	D	-		04JUN85	R.d.L.	D.C.
		D1		REVISED PER ECO-09-020935	01SEP09	KK	AEG
		D2		ECR-10-015735	31JUL10	KK	HMR



- 1 OBSOLETE PARTS: OBSOLETE CIS STREAMLINING PER D.RENAUD/D.SINISI
- 2 OBSOLETE

WIRE RANGE :  
 20 AWG SOLID  
 18 AWG STRANDED  
 INSULATION RANGE :  
 1,9-2,2 DIA.

PANEL CUT-OUT DIM'S FOR MT-6-M CONNECTORS  
 NOTE: PANEL MUST BE PUNCHED SO THAT THE HOUSING ENTERS THE PANEL IN THE SAME DIRECTION AS THE PUNCH.



HOUSING :  
 MATERIAL : NYLON  
 COLOR : YELLOW  
 CONTACTS :  
 MATERIAL : BRASS  
 PLATING : TIN-LEAD (93/7)  
 OVER NICKEL

DIM."E"	DIM."D"	DIM."C"	DIM."B"	NUMBER OF POSITIONS	PARTNUMBER
49,6	51,5	49,5	43,6	12	1-167735-2
45,6	47,5	45,5	39,6	11	1-167735-1
41,65	43,6	41,6	35,7	10	1-167735-0
37,7	39,6	37,6	31,7	9	167735-9
33,75	35,7	33,65	27,7	8	167735-8
29,8	31,7	29,7	23,8	7	167735-7
25,8	27,7	25,7	19,8	6	167735-6
21,85	23,8	21,7	15,8	5	167735-5
17,9	19,8	17,8	11,9	4	167735-4
13,9	15,8	13,8	7,9	3	167735-3
10,0	11,9	9,9	3,96	2	167735-2

THIS DRAWING IS A CONTROLLED DOCUMENT.

DWN R. de LOOFF 04 JUN 85	 Tyco Electronics Corporation 's-Hertogenbosch, Nederland					
CHK D. CAMPSCHROER 09 APR 87						
APVD L. van SOEST 13 JUN 85						
NAME						
DIMENSIONS: mm	TOLERANCES UNLESS OTHERWISE SPECIFIED:	PRODUCT SPEC	SIZE	CAGE CODE	DRAWING NO	RESTRICTED TO
0 PLC ± -	1 PLC ± -	APPLICATION SPEC	—	—	—	—
2 PLC ± -	3 PLC ± -	—	—	—	—	—
4 PLC ± -	ANGLES ± -	—	—	—	—	—
MATERIAL	FINISH	WEIGHT	A3 00779 C-167735		SCALE 1:1	SHEET 1 OF 1
—	—	—	CUSTOMER DRAWING		REV D2	