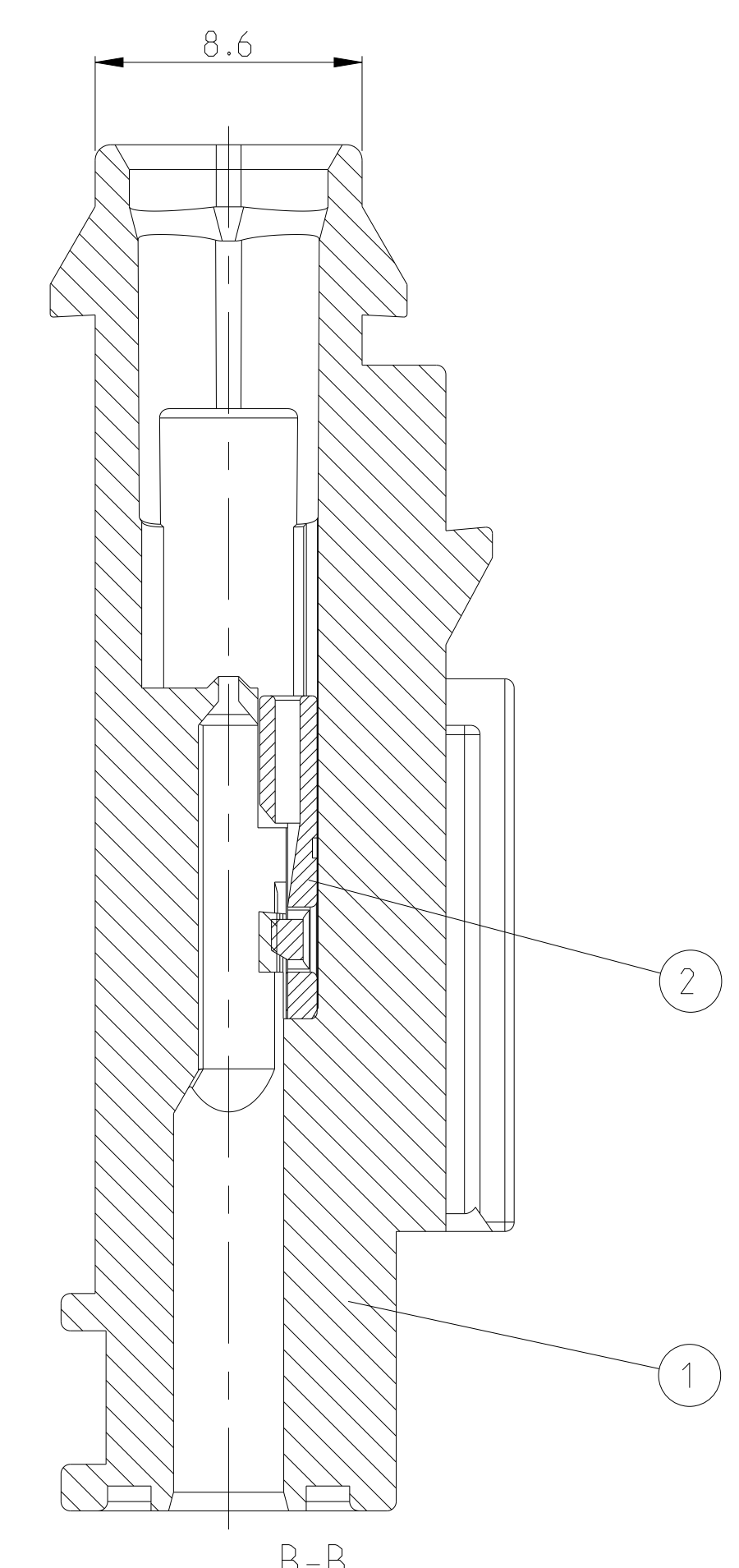
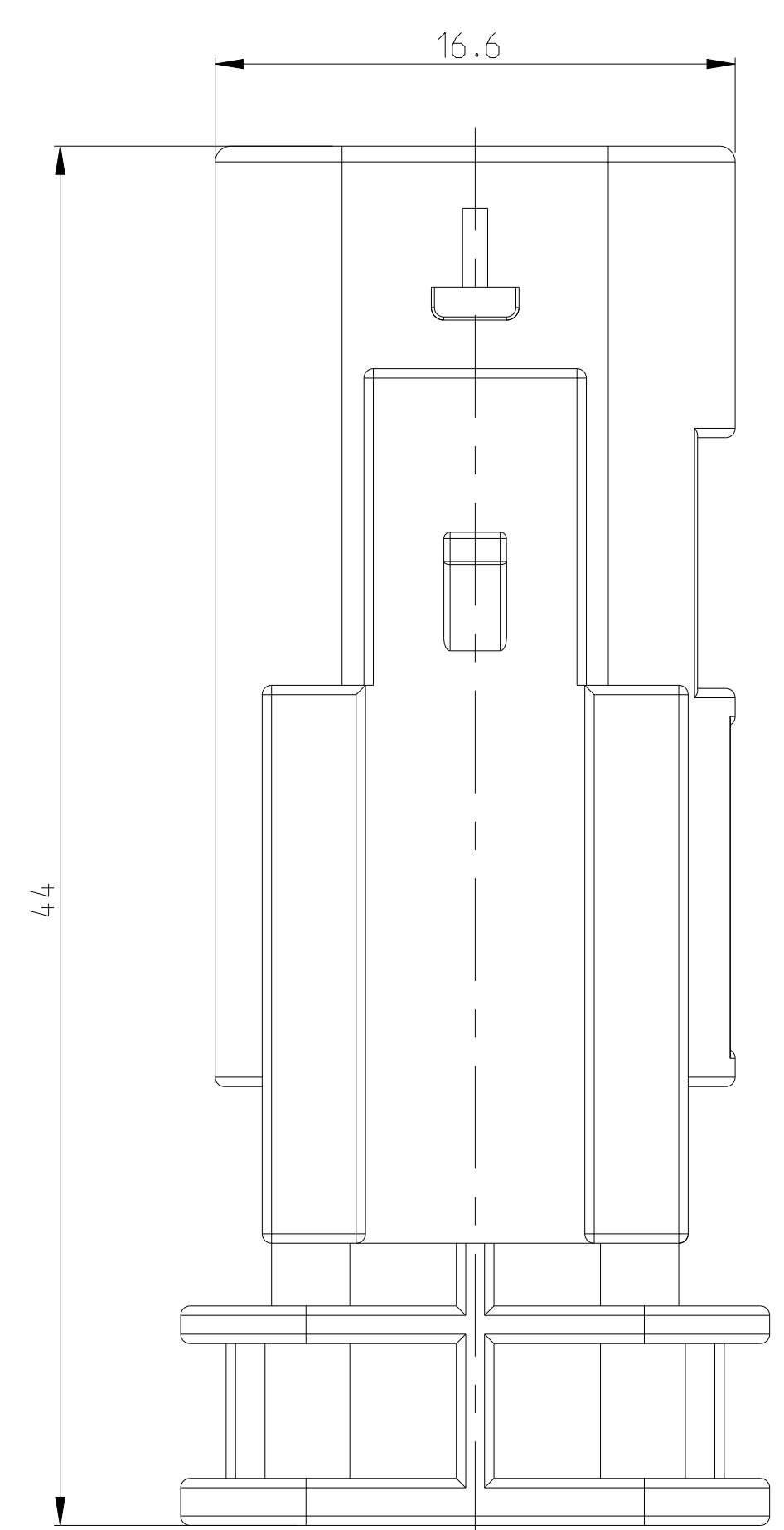
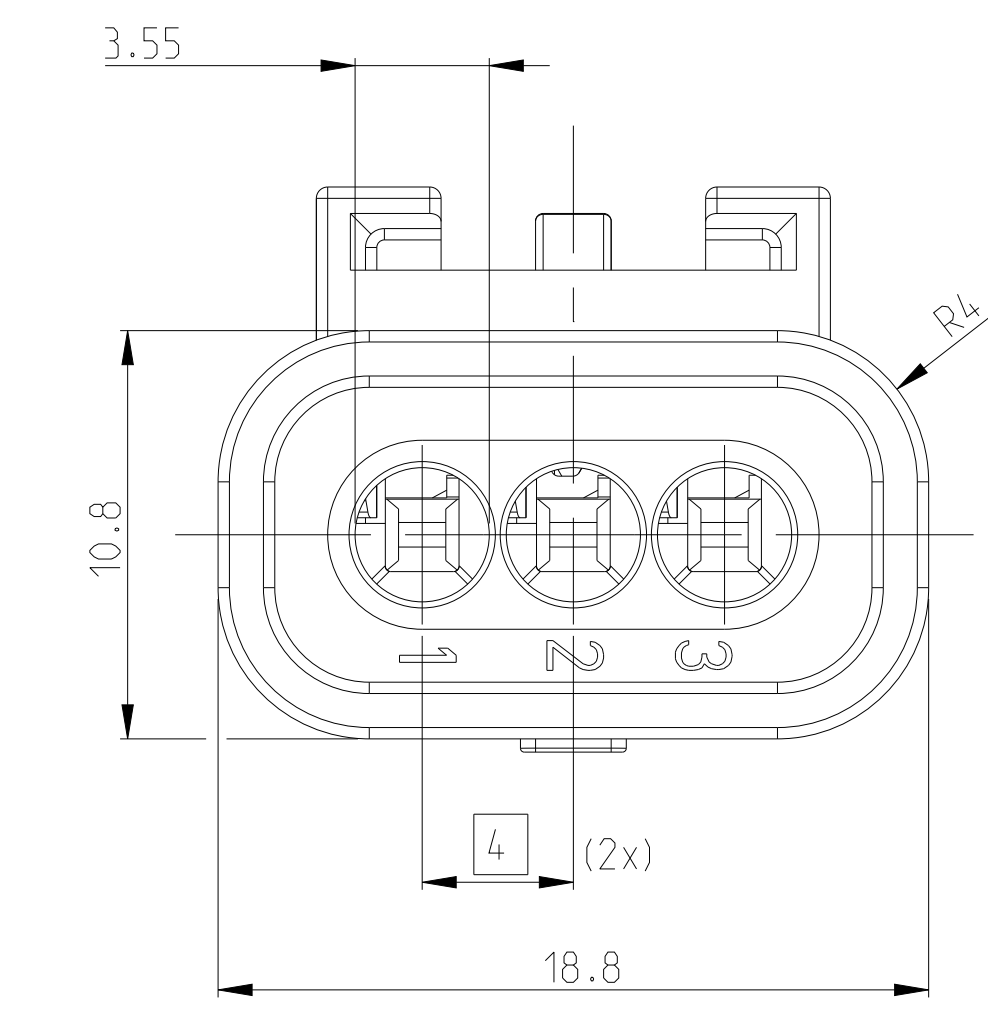
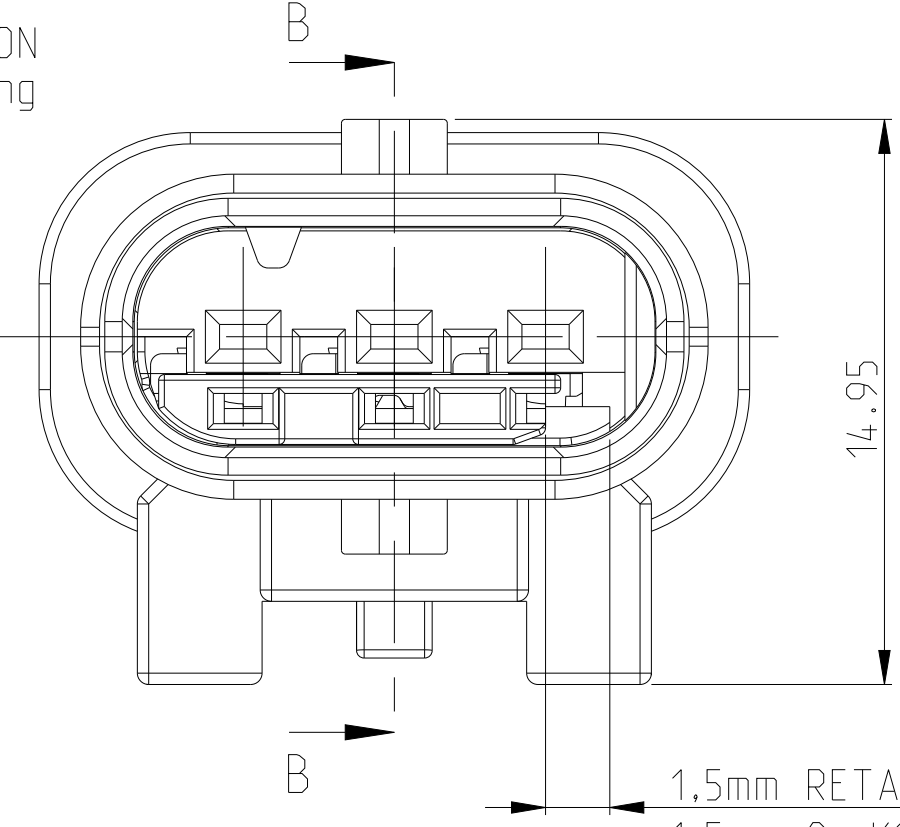


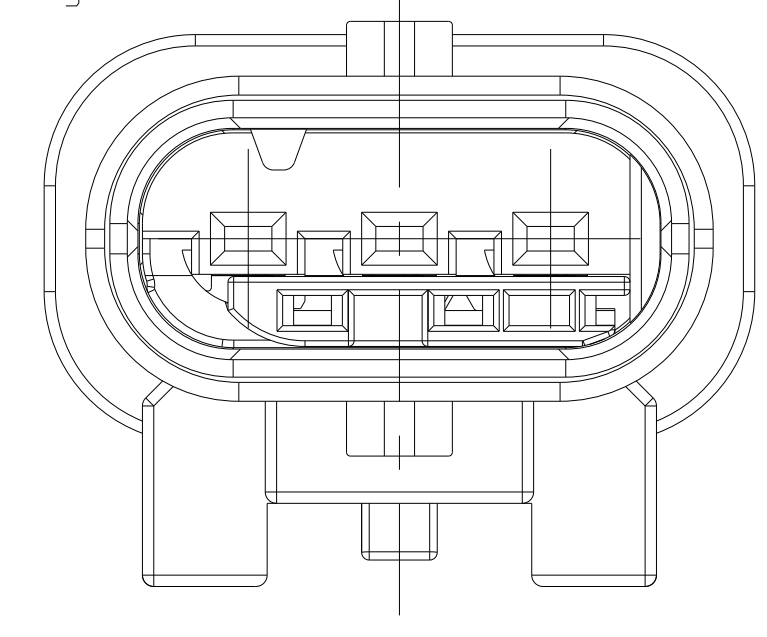
SHOWN 1-1703494-1



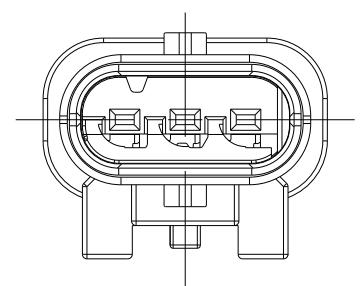
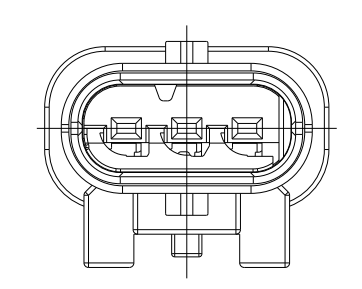
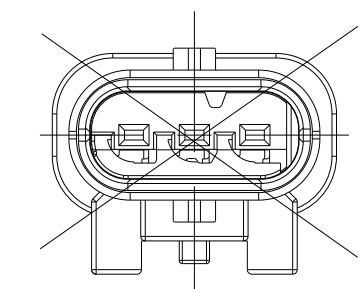
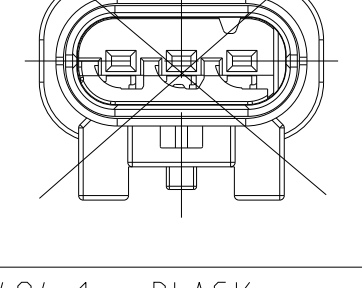
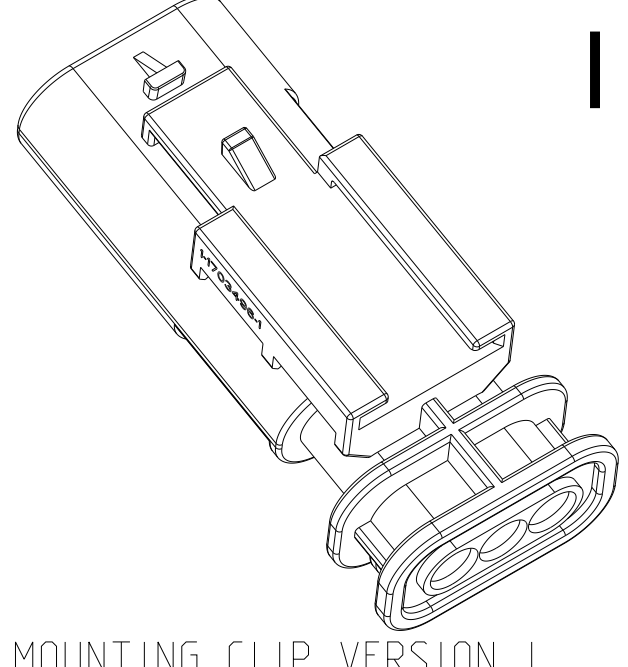
RETAINER IN PRE LOCKED POSITION
Kontaktsicherung in Vorraststellung



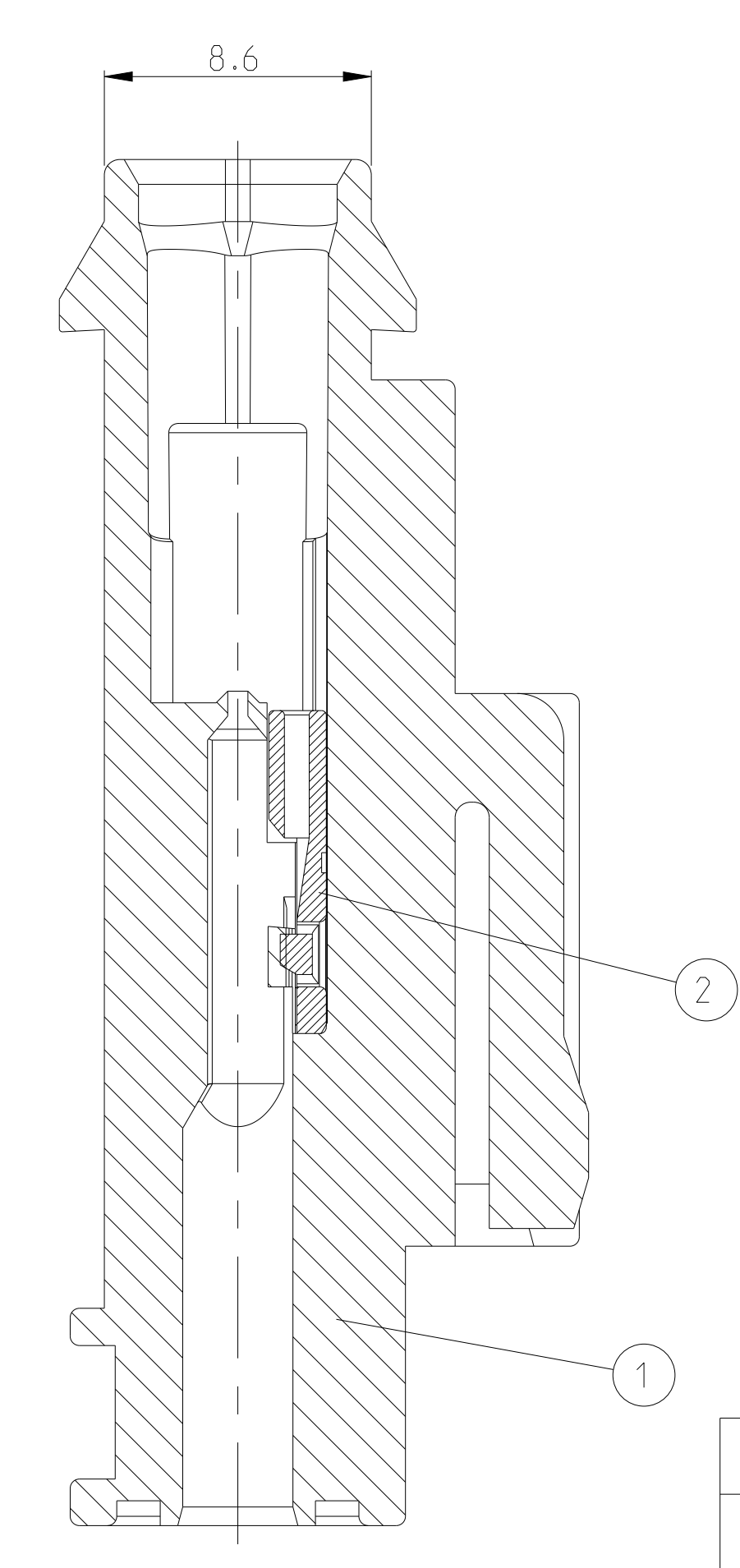
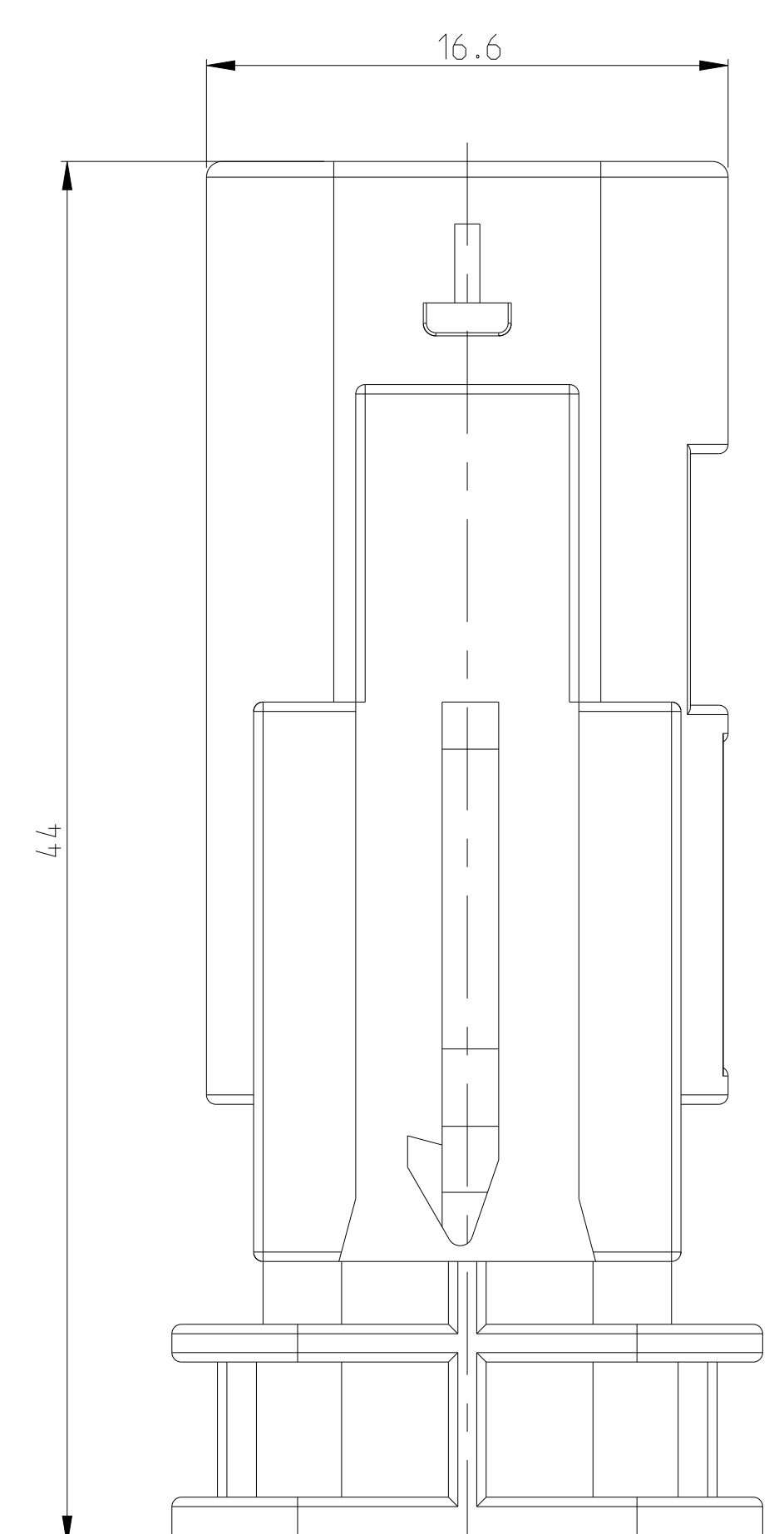
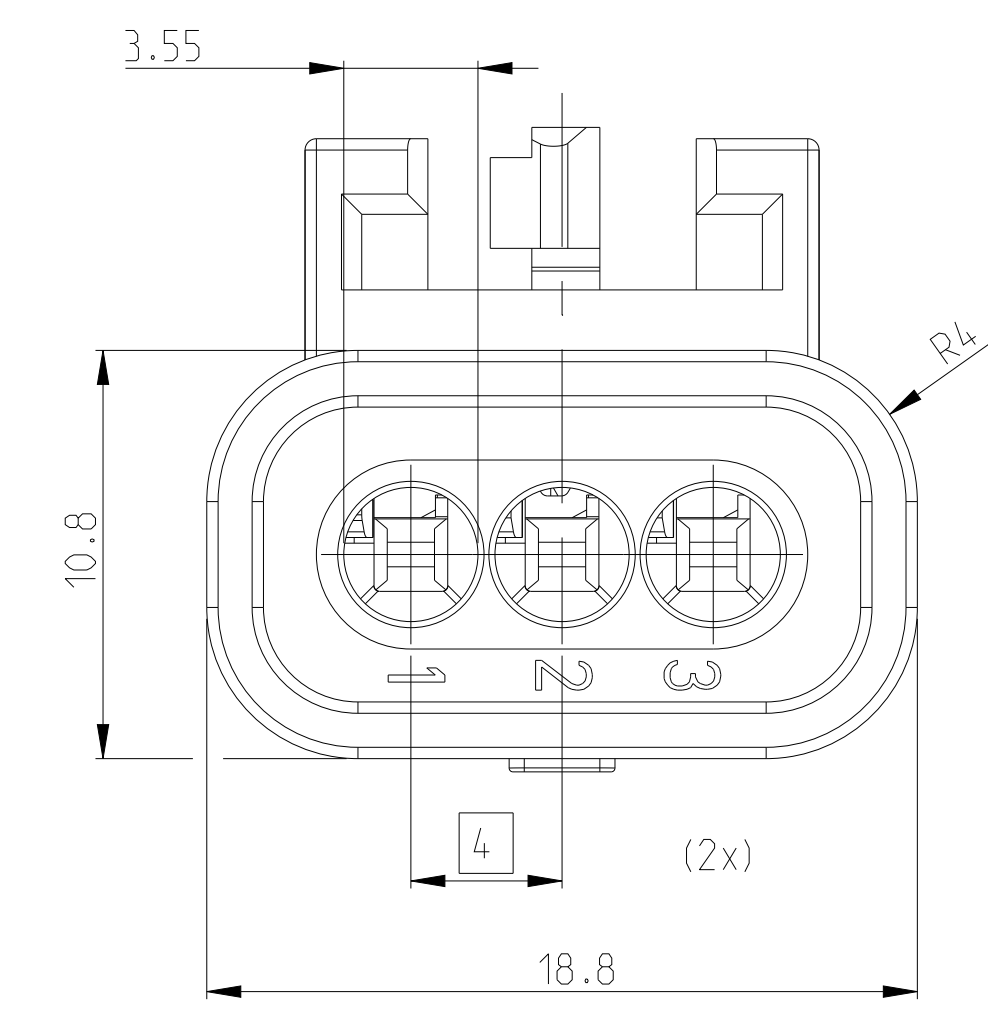
RETAINER IN FINAL LOCKED POSITION
2.Kontaktsicherung in Endraststellung



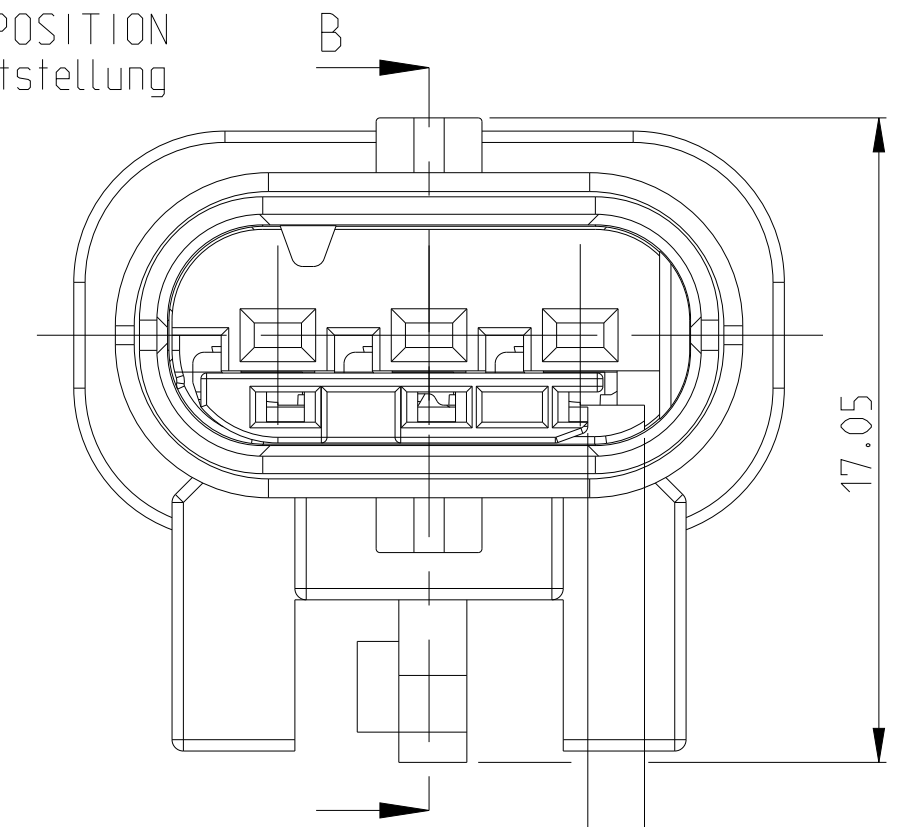
RETAINER MOVING DIRECTION
2.Kontaktsicherung Verschiebeweg

Coding	2:1
A	 1-1703494-1 - BLACK 1-1703494-4 - YELLOW 5-1703494-1 - BLUE
B	 2-1703494-1 - GREY 2-1703494-4 - YELLOW 6-1703494-1 - BLUE
C	 3-1703494-1 - BLACK
D	 4-1703494-1 - BLACK
MOUNTING CLIP VERSION	 MOUNTING CLIP VERSION I EW CAP-005-11

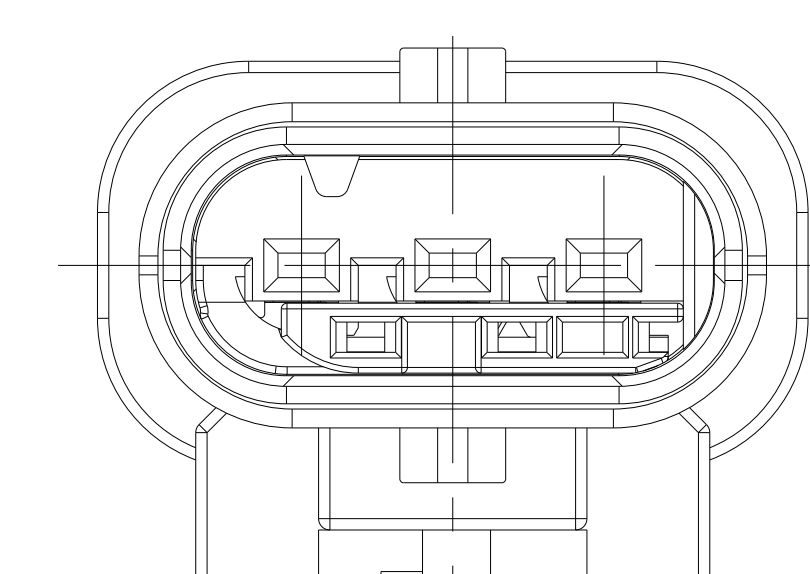
SHOWN 1-1703494-2



RETAINER IN PRE LOCKED POSITION
Kontaktsicherung in Vorraststellung

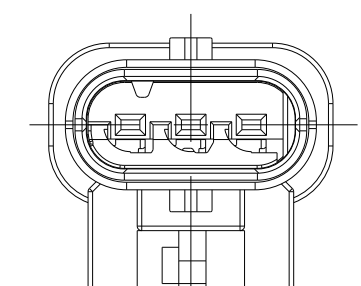
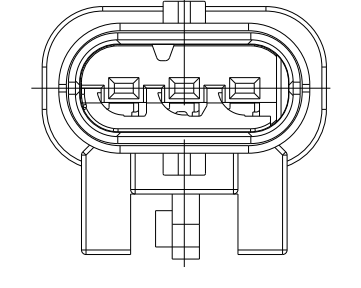
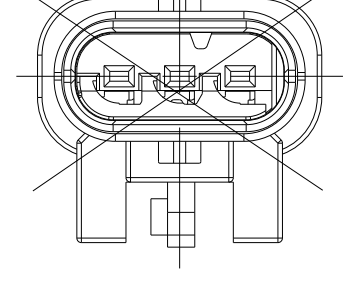
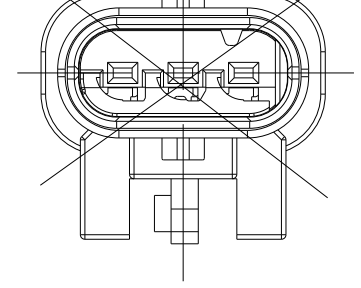
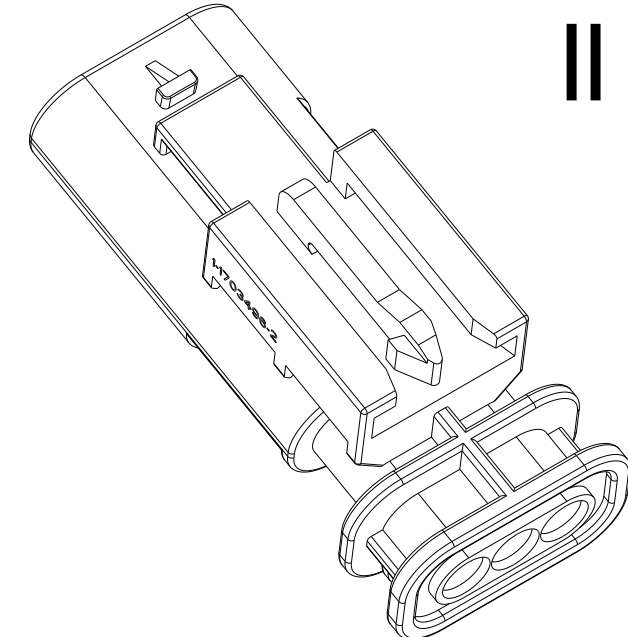


RETAINER IN FINAL LOCKED POSITION
2.Kontaktsicherung in Endraststellung



RETAINER MOVING DIRECTION
2.Kontaktsicherung Verschiebeweg

REVISIONS				
REV	DATE	DESCRIPTION	BY	APPD
B2	08NOV2010	PCN-E-10-022249	MT	HR
B4	02AUG2023	ECN-23-224821 (New dash variation added)	LSZ	SZN
B5	30MAY2024	New dash variation added 5-1703494-1	GB	SZN
B6	05AUG2024	PN correction on draw. zone DS: 5-1703494-1	GB	SZN

Coding	
A	 1-1703494-2 - BLACK
B	 2-1703494-2 - GREY
C	 3-1703494-2 - BLACK
D	 4-1703494-2 - BLACK
MOUNTING CLIP VERSION	 MOUNTING CLIP VERSION II

USED MCON 1.2mm LL MALE TERMINALS AND SEALS			
TE-PN. TERMINALS	WIRE RANGE	TE-PN. SINGLE WIRE SEAL	TE-PN. BLIND PLUG
1718756	0.14 - 0.22mm ²	967067-2	967056-1
1718758	0.25 - 0.35mm ²	967067-2	
1718760	0.5 - 0.75mm ²	967067-1	
1718762	1mm ²	967067-1	

TERMINAL TE-APPLICATION SPEC.: 114-18464.

TE	TE-PN.	TE-PN. WIRE RANGE	TE-PN. SINGLE WIRE SEAL	TE-PN. BLIND PLUG	TE-PN. SURFACE/COLOR	TE-PN. POS.
1718756	0.14 - 0.22mm ²	967067-2	967056-1			
1718758	0.25 - 0.35mm ²	967067-2	967056-1			
1718760	0.5 - 0.75mm ²	967067-1	967056-1			
1718762	1mm ²	967067-1	967056-1			

TE	TE-PN.	TE-PN. WIRE RANGE	TE-PN. SINGLE WIRE SEAL	TE-PN. BLIND PLUG	TE-PN. SURFACE/COLOR	TE-PN. POS.			
1-1703494-2	B	D	II	Stiftgehäuse 3pol. MALE HOUSING 3POS.	PA66-GF35	violett/VIOLET	2		
3-1703494-2	B	C	II	Stiftgehäuse 3pol. MALE HOUSING 3POS.	PBT-GF30	schwarz/BLACK	1d		
2-1670917-1	2-1703494-2	1703494 (2-1703496-2)	B	B	II	Stiftgehäuse 3pol. MALE HOUSING 3POS.	PA66-GF35	violett/VIOLET	2
1-1670917-1	1-1703494-2	1703494 (1-1703496-2)	B	A	II	Stiftgehäuse 3pol. MALE HOUSING 3POS.	PBT-GF30	grau/GREY	1b
2-1670917-1	6-1703494-1	1703494 (6-1703496-1)	B	B	I	Stiftgehäuse 3pol. MALE HOUSING 3POS.	PA66-GF35	violett/VIOLET	2
1-2463811-1	5-1703494-1	1703494 (5-1703496-1)	B	A	I	Stiftgehäuse 3pol. MALE HOUSING 3POS.	PA66-GF35	violett/VIOLET	2
2-1670917-1	2-1703494-4	1703494 (2-1703496-4)	B	B	I	Stiftgehäuse 3pol. MALE HOUSING 3POS.	PBT-GF30	blau/BLUE	1
1-1670917-1	1-1703494-4	1703494 (1-1703496-4)	B	A	I	Stiftgehäuse 3pol. MALE HOUSING 3POS.	PA66-GF35	violett/VIOLET	2
4-1703494-1	B	D	I	Stiftgehäuse 3pol. MALE HOUSING 3POS.	PA66-GF35	violett/VIOLET	2		
3-1703494-1	B	C	I	Stiftgehäuse 3pol. MALE HOUSING 3POS.	PBT-GF30	schwarz/BLACK	1c		
2-1670917-1	2-1703494-1	1703494 (2-1703496-1)	B	B	I	Stiftgehäuse 3pol. MALE HOUSING 3POS.	PA66-GF35	violett/VIOLET	2
1-1670917-1	1-1703494-1	1703494 (1-1703496-1)	B	A	I	Stiftgehäuse 3pol. MALE HOUSING 3POS.	PBT-GF30	grau/GREY	1b
1-1670917-1	1-1703494-1	1703494 (1-1703496-1)	B	A	I	Stiftgehäuse 3pol. MALE HOUSING 3POS.	PA66-GF35	violett/VIOLET	2

TE	TE-PN.	TE-PN. WIRE RANGE	TE-PN. SINGLE WIRE SEAL	TE-PN. BLIND PLUG	TE-PN. SURFACE/COLOR	TE-PN. POS.			
1-1703494-1	B	D	I	Stiftgehäuse 3pol. MALE HOUSING 3POS.	PA66-GF35	violett/VIOLET	2		
3-1703494-1	B	C	I	Stiftgehäuse 3pol. MALE HOUSING 3POS.	PBT-GF30	schwarz/BLACK	1c		
2-1670917-1	2-1703494-1	1703494 (2-1703496-1)	B	B	I	Stiftgehäuse 3pol. MALE HOUSING 3POS.	PA66-GF35	violett/VIOLET	2
1-1670917-1	1-1703494-1	1703494 (1-1703496-1)	B	A	I	Stiftgehäuse 3pol. MALE HOUSING 3POS.	PBT-GF30	grau/GREY	1b
1-1670917-1	1-1703494-1	1703494 (1-1703496-1)	B	A	I	Stiftgehäuse 3pol. MALE HOUSING 3POS.	PA66-GF35	violett/VIOLET	2