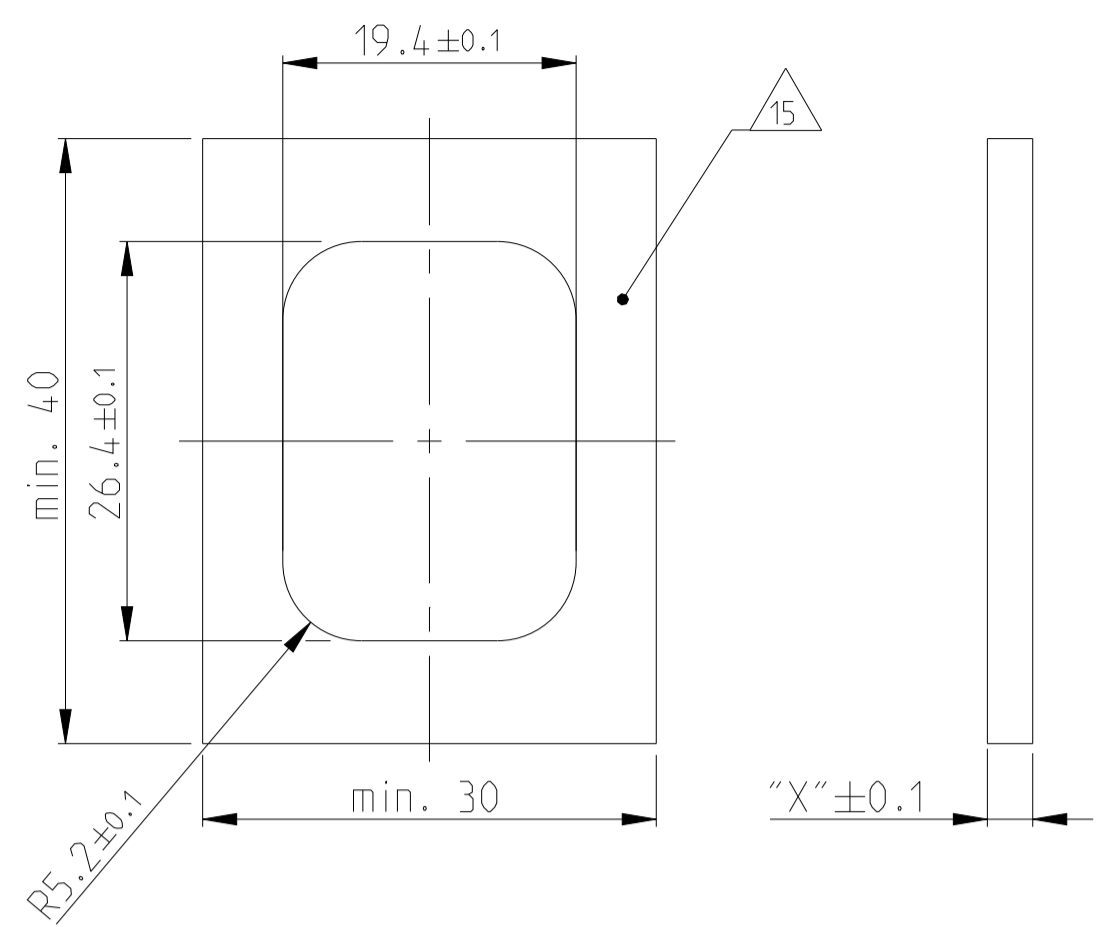
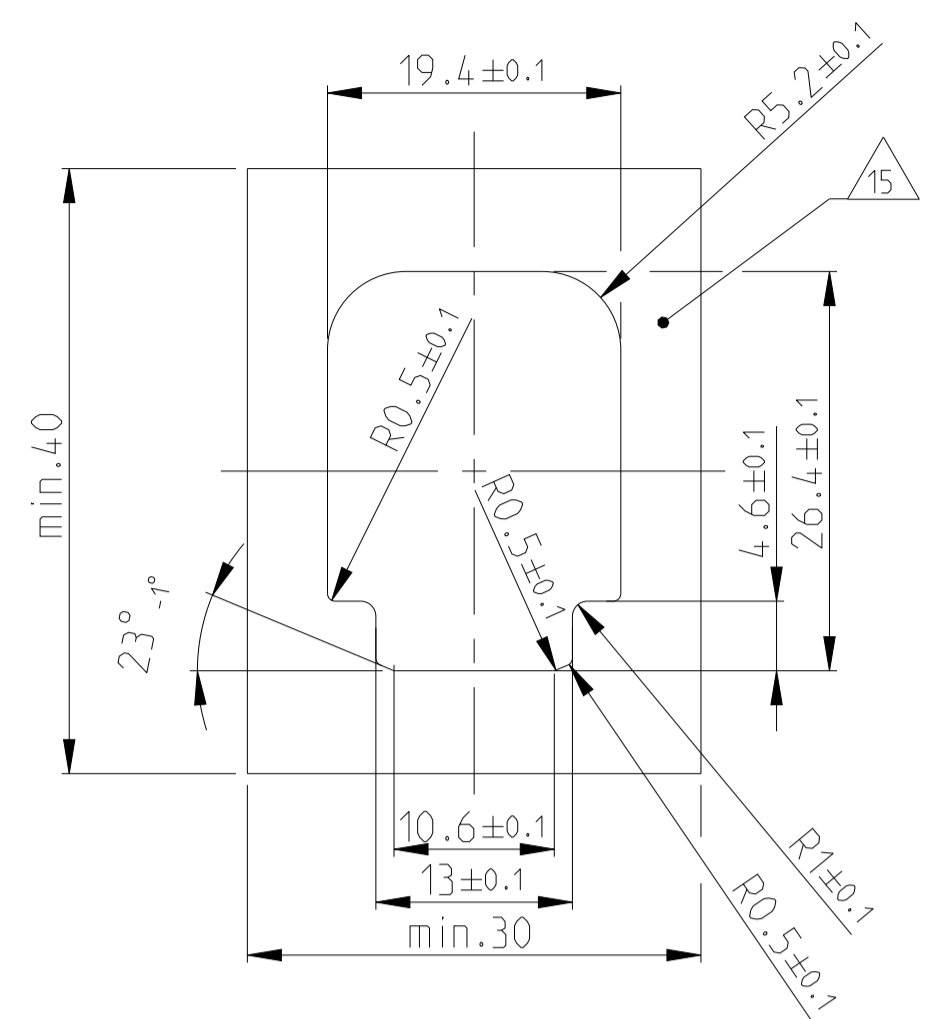


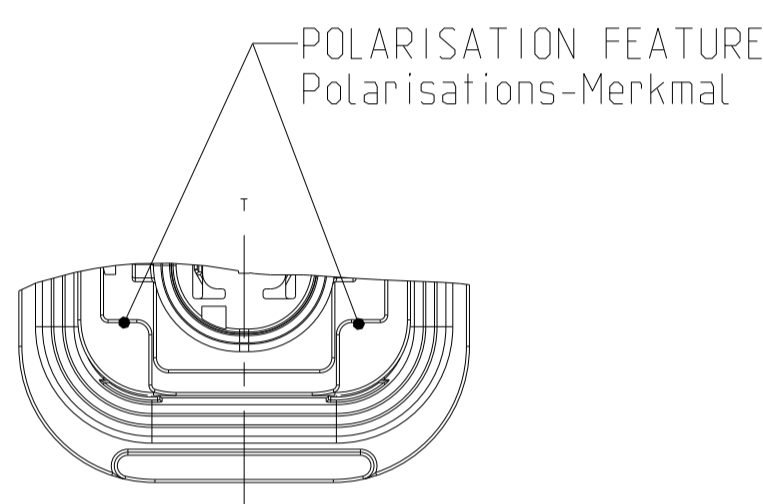
CUT OFF (SYMMETRIC)
Befestigungsausschnitt (symmetrisch)



CUT OFF WITH POLARISATION
Befestigungsausschnitt mit Polarisation

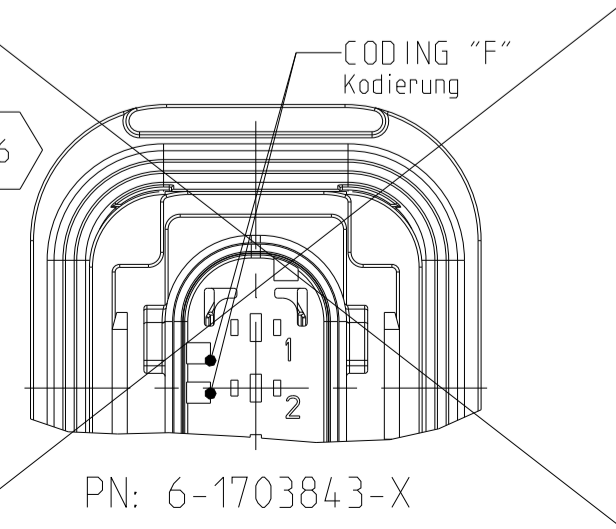
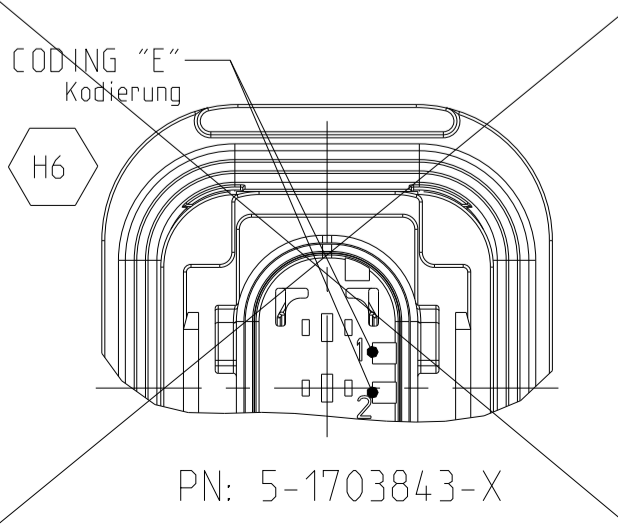
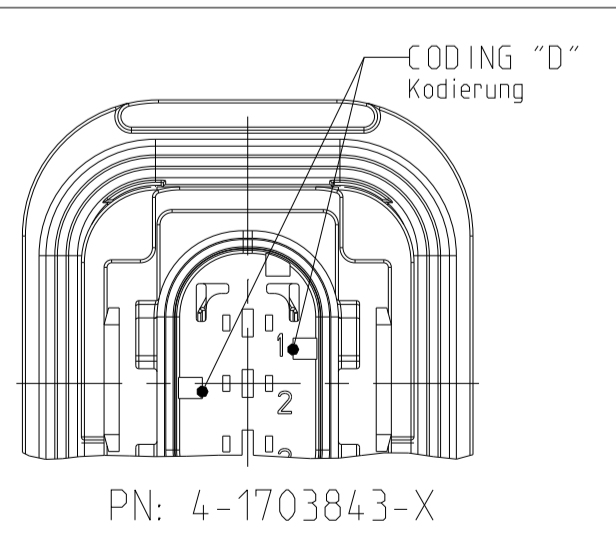
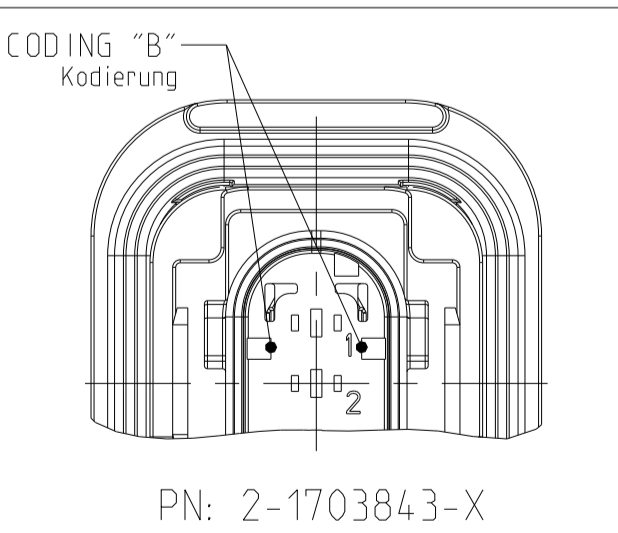
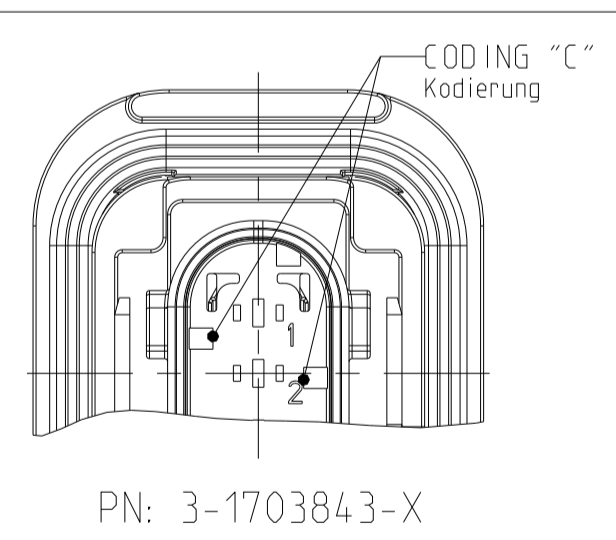
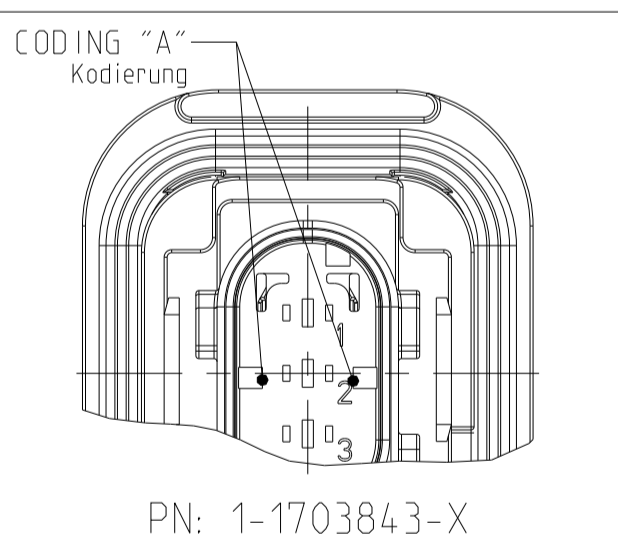
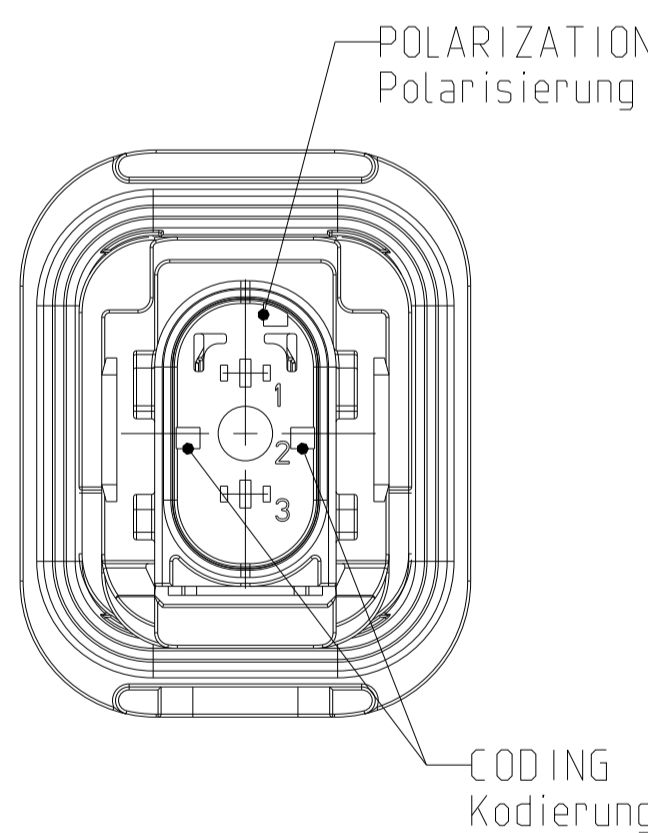
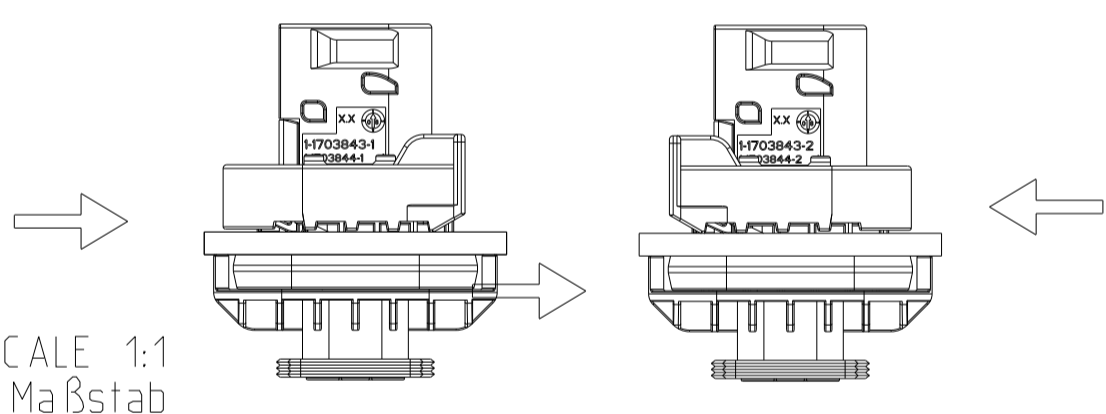


FIXING WITH SLIDE Befestigung mit Schieber	
W ALLTHICKNESS "X" Wandstaerke "X"	TE ORDER NO. TE Best. Nr.
1.5mm	N.N.
2.5mm	0-1703838-2
3.0mm	0-1703838-1
3.5mm	0-1703838-6
4mm	N.N.



SLIDE FROM BOTH DIRECTIONS MOUNTABLE
Schieber von beiden Seiten montierbar

2 POS. VERSION
2 pol. Version
PN X-1703843-2



NOTES
Bemerkungen

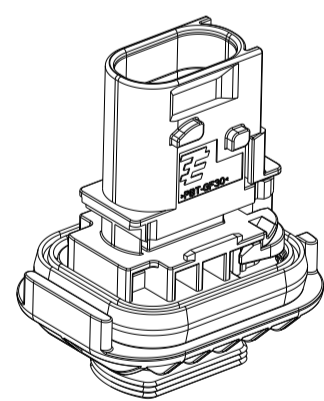
- 1 TE ORDER-NO.
TE Bestell-Nr.
 - 2 CAVITY NUMBERING
Kammerbezeichnung
 - 3 PRODUCTION DATE
Produktionsdatum
 - 4 LETTER-INSERT FOR THE REVISION STATUS OF THE MOULD
Schriftsatz fuer Aenderungszustand des Werkzeuges
 - 5 MATERIAL MARKING ACCORDING TO VDA 260
Werkstoffkennzeichnung nach VDA 260
 - 6 BULK PACKAGING IN CORRUGATED BOX
Schuetzgut im Versandkarton
 - 7 MOULD CAVITY MARKING
Nestmarkierung
 - 8 TE LOGO
TE Logo
 - 9 SUITABLE COUNTERPART SEE DRAWING: 1418448
passendes Gegenstueck siehe Zeichnung: 1418448
 - 10 CAVITIES MATED WITH TAB 1.6 x 0.6 MM (SW)
SEE PRODUCT GROUP DRAWING
TE NO: 1355055
MAX. WIRE SIZE: 1.0mm² FLR
- WIRE SIZE : 1.5mm² FLR PERMITTED ONLY
IN ASSOCIATION
WITH SINGLE WIRE SEALING PN 0-2287497-1
ALLOWED TEMPERATURE 120 DEGREE CELSIUS
- Kontaktkammer passend fuer Flachstecker 1.6 x 0.6 mm (ESD)
siehe Produktgruppenzeichnung
TE Nr: 1355055
max. Drahtgroessenbereich: 1.0mm² FLR
- Es ist ein Drahtgroessenbereich von 1.5mm² nur
in Verbindung
mit der Einzelleiterdichtung PN 0-2287497-1
bis zu 120°C zugelassen
- 11 INTERFACE ACC. Drawing: 114-18743-1
Kragenanschluss nach Zeichnung: 114-18743-1
 - 12 MATED WITH COVER SEE DRAWING: 1670150, 1670365
AND COVERS OF GROUP B ON PRODUCT GROUP DRAWING 1563709
Passend zu Kappe siehe Zeichnung: 1670150, 1670365
und Kappen der Gruppe B auf Produktgruppenzeichnung 1563709
 - 13 SLIDING DISTANCE OF SECONDARY LOCKING
Verschiebeweg der zweiten Kontaktsicherung
 - 14 MALFUNCTION CAUSED BY LAQUER IS NOT
COVERED BY TE WARRANTY
Funktionsbeeintraechtigung durch Lackieren, liegt nicht
im Einfluss und Gewaehrleistungsumfang von TE
 - 15 SEALING SURFACE CUTOFF
Dichtflaeche Blechausschnitt

SURFACE ROUGHNESS Ra MAX. 1.8 µm OR LESS FOR METAL PARTS.
Werkzeugoberflaeche Ra Max. 1.8 µm oder weniger fuer Metallteile

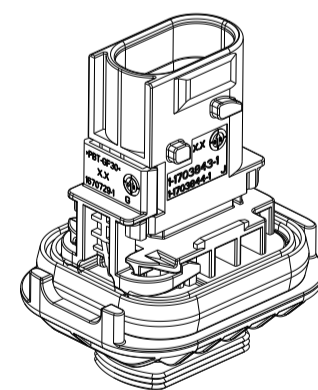
SURFACE ROUGHNESS MIN. VDI 3400 - CLASS 24 FOR PLASTIC PARTS.
Werkzeugoberflaeche Min. VDI 3400 - Class 24 fuer Kunststoffteile.

THE FLATNESS MUST BE WITHIN THE TOLERANCE OF THE SHEET.
THEREFORE WITHIN (±0.1MM).
Die Ebenheit muss innerhalb der Toleranz des Blechs liegen (±0.1mm).

NO SINK MARKS. EJECTOR DRAFT, DENTS, SCRATCHES.
RECESSES ON THE SEALING AREA ALLOWED.
Keine Einfallstellen, Auswerfer, Ausformschraegen, Delle,
Kratzer, Absaeetze zulassig.

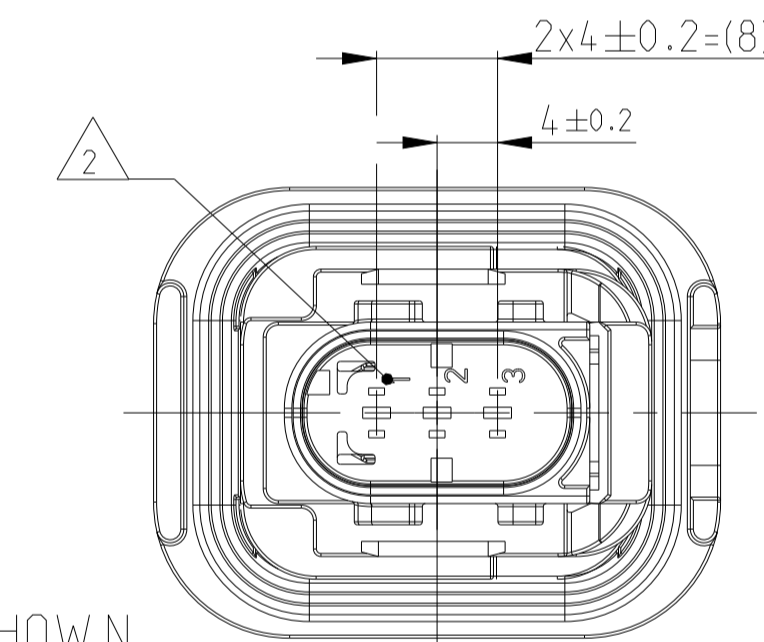
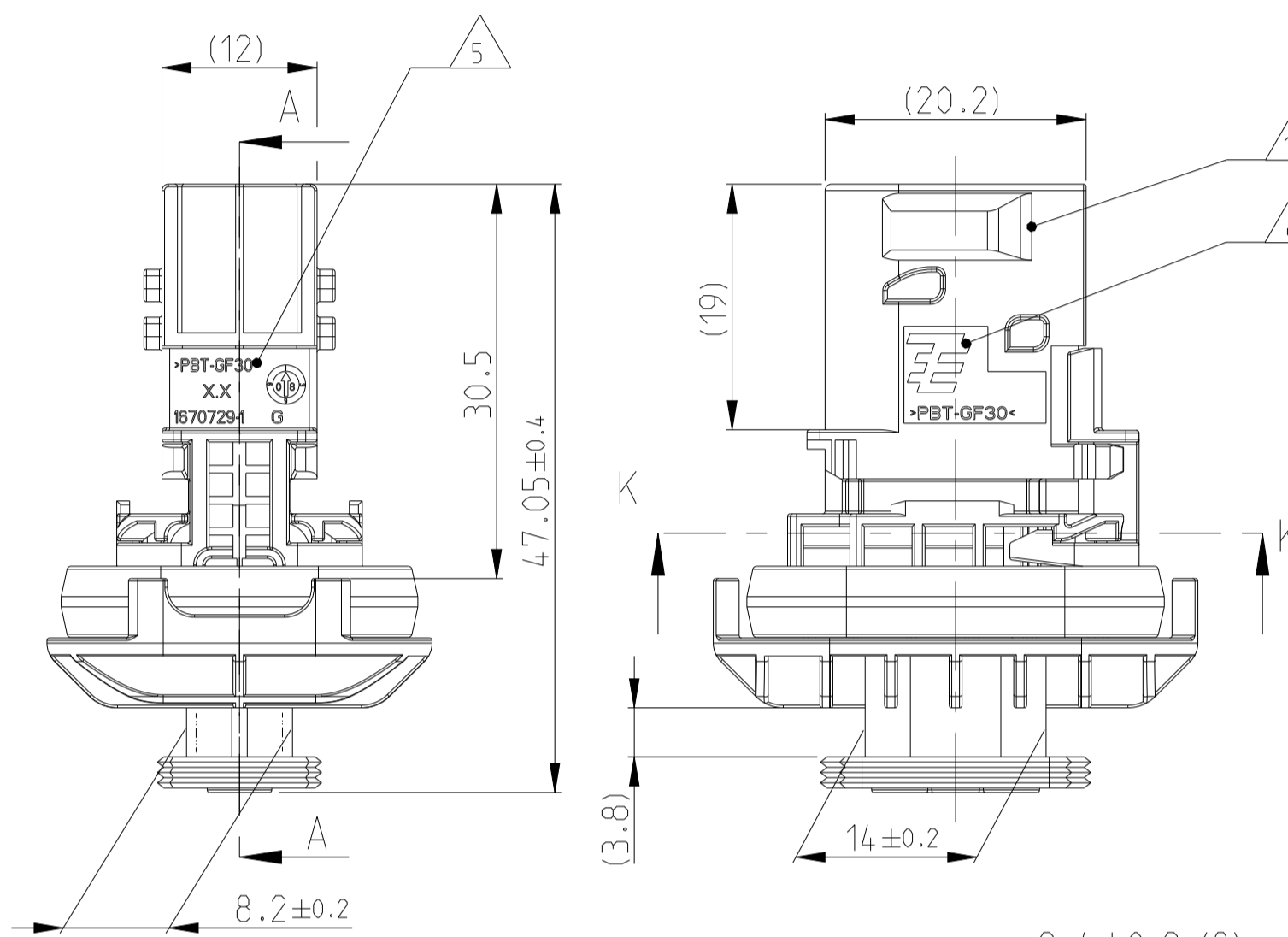
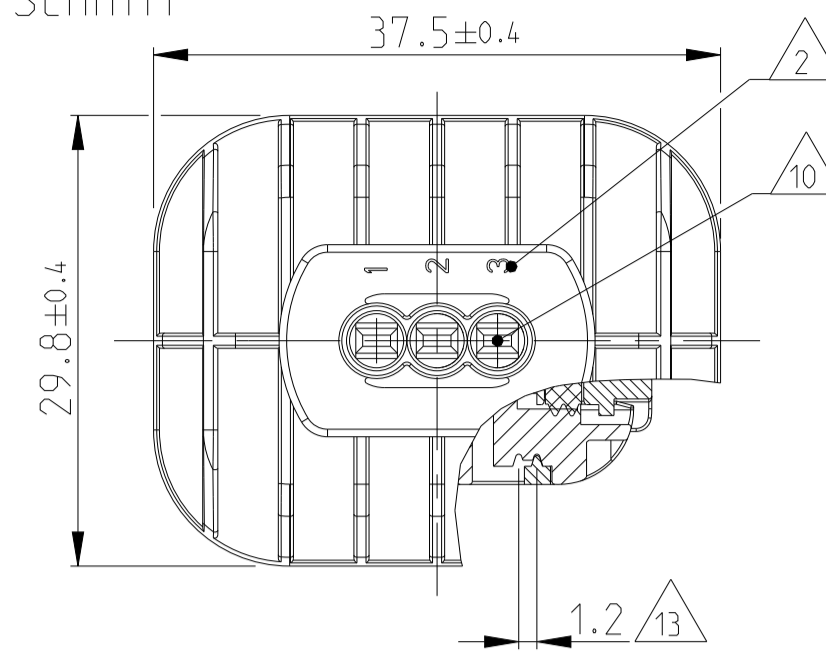


SCALE 1:1
Maßstab



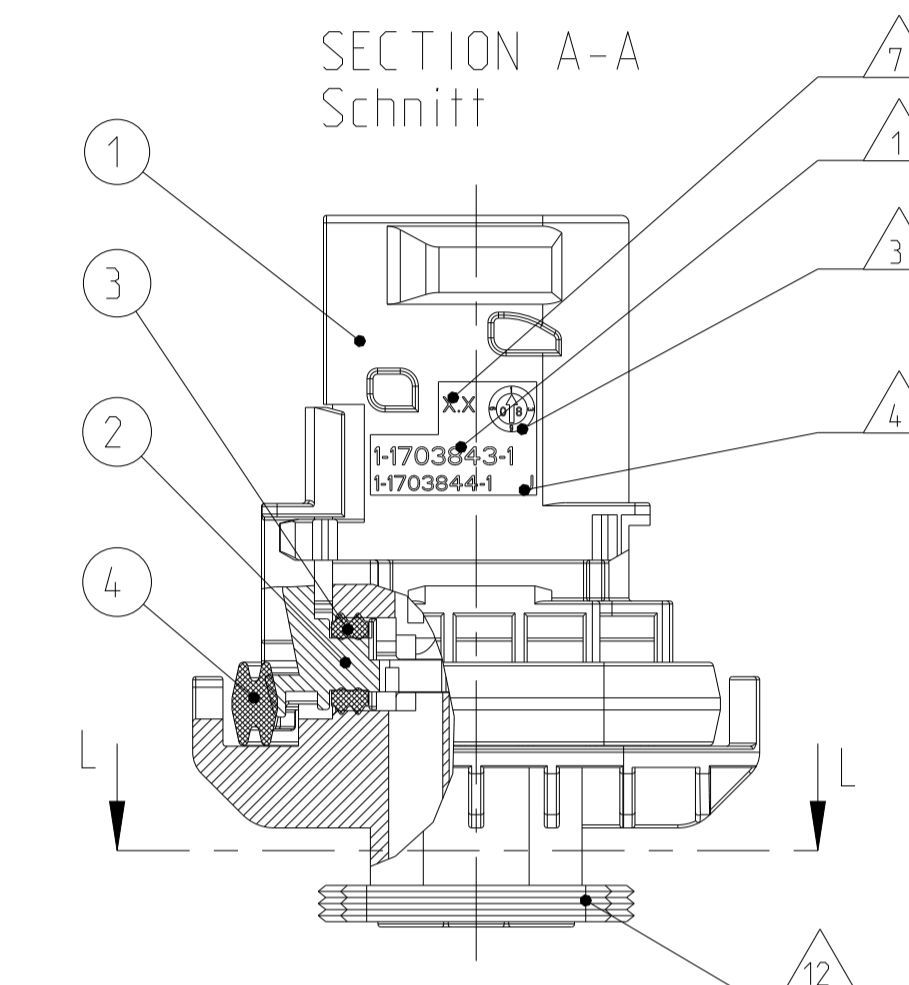
SCALE 1:1
Maßstab

SECTION K-K
Schnitt

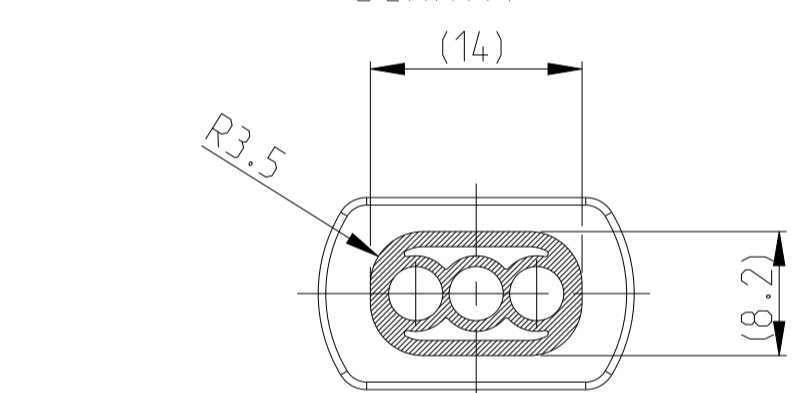


REVISIONS				
P	LTN	DESCRIPTION	DATE	OWN APVD
H3		DETAILS SEE PCN E-16-011140	03AUG2016	HO. GILC
H4		ECR-22-126915	18JAN2022	DRK AW
H5		PCN-22-132727	15MAR2022	NS AW
H6		ECR-23-184874	23AUG2023	DM AW

DELIVERY CONDITION:
SECONDARY LOCKING DEVICE
IN PRE-LOCKED POSITION
Lieferzustand:
2. Kontaktsicherung in Vorraststellung



SECTION L-L
Schnitt



1-1703843-1 AS SHOWN
1-1703843-1 wie gezeigt

1	2	3	4	5	6	7	8	9	10	11	12	13	14	15	16	17	18	19	20	21	22	23	24	25	26	27	28	29	30	31	32	33	34	35	36	37	38	39	40	41	42	43	44	45	46	47	48	49	50	51	52	53	54	55	56	57	58	59	60	61	62	63	64	65	66	67	68	69	70	71	72	73	74	75	76	77	78	79	80	81	82	83	84	85	86	87	88	89	90	91	92	93	94	95	96	97	98	99	100																																																																																																																																																																																																																																																																																																																																																																																
3POS. TAB HOUSING COD. "A"	3POS. TAB HOUSING COD. "B"	3POS. TAB HOUSING COD. "C"	3POS. TAB HOUSING COD. "D"	3POS. TAB HOUSING COD. "E"	3POS. TAB HOUSING COD. "F"	3POS. TAB HOUSING COD. "G"	3POS. TAB HOUSING COD. "H"	3POS. TAB HOUSING COD. "I"	3POS. TAB HOUSING COD. "J"	3POS. TAB HOUSING COD. "K"	3POS. TAB HOUSING COD. "L"	3POS. TAB HOUSING COD. "M"	3POS. TAB HOUSING COD. "N"	3POS. TAB HOUSING COD. "O"	3POS. TAB HOUSING COD. "P"	3POS. TAB HOUSING COD. "Q"	3POS. TAB HOUSING COD. "R"	3POS. TAB HOUSING COD. "S"	3POS. TAB HOUSING COD. "T"	3POS. TAB HOUSING COD. "U"	3POS. TAB HOUSING COD. "V"	3POS. TAB HOUSING COD. "W"	3POS. TAB HOUSING COD. "X"	3POS. TAB HOUSING COD. "Y"	3POS. TAB HOUSING COD. "Z"	3POS. TAB HOUSING COD. "A"	3POS. TAB HOUSING COD. "B"	3POS. TAB HOUSING COD. "C"	3POS. TAB HOUSING COD. "D"	3POS. TAB HOUSING COD. "E"	3POS. TAB HOUSING COD. "F"	3POS. TAB HOUSING COD. "G"	3POS. TAB HOUSING COD. "H"	3POS. TAB HOUSING COD. "I"	3POS. TAB HOUSING COD. "J"	3POS. TAB HOUSING COD. "K"	3POS. TAB HOUSING COD. "L"	3POS. TAB HOUSING COD. "M"	3POS. TAB HOUSING COD. "N"	3POS. TAB HOUSING COD. "O"	3POS. TAB HOUSING COD. "P"	3POS. TAB HOUSING COD. "Q"	3POS. TAB HOUSING COD. "R"	3POS. TAB HOUSING COD. "S"	3POS. TAB HOUSING COD. "T"	3POS. TAB HOUSING COD. "U"	3POS. TAB HOUSING COD. "V"	3POS. TAB HOUSING COD. "W"	3POS. TAB HOUSING COD. "X"	3POS. TAB HOUSING COD. "Y"	3POS. TAB HOUSING COD. "Z"	3POS. TAB HOUSING COD. "A"	3POS. TAB HOUSING COD. "B"	3POS. TAB HOUSING COD. "C"	3POS. TAB HOUSING COD. "D"	3POS. TAB HOUSING COD. "E"	3POS. TAB HOUSING COD. "F"	3POS. TAB HOUSING COD. "G"	3POS. TAB HOUSING COD. "H"	3POS. TAB HOUSING COD. "I"	3POS. TAB HOUSING COD. "J"	3POS. TAB HOUSING COD. "K"	3POS. TAB HOUSING COD. "L"	3POS. TAB HOUSING COD. "M"	3POS. TAB HOUSING COD. "N"	3POS. TAB HOUSING COD. "O"	3POS. TAB HOUSING COD. "P"	3POS. TAB HOUSING COD. "Q"	3POS. TAB HOUSING COD. "R"	3POS. TAB HOUSING COD. "S"	3POS. TAB HOUSING COD. "T"	3POS. TAB HOUSING COD. "U"	3POS. TAB HOUSING COD. "V"	3POS. TAB HOUSING COD. "W"	3POS. TAB HOUSING COD. "X"	3POS. TAB HOUSING COD. "Y"	3POS. TAB HOUSING COD. "Z"	3POS. TAB HOUSING COD. "A"	3POS. TAB HOUSING COD. "B"	3POS. TAB HOUSING COD. "C"	3POS. TAB HOUSING COD. "D"	3POS. TAB HOUSING COD. "E"	3POS. TAB HOUSING COD. "F"	3POS. TAB HOUSING COD. "G"	3POS. TAB HOUSING COD. "H"	3POS. TAB HOUSING COD. "I"	3POS. TAB HOUSING COD. "J"	3POS. TAB HOUSING COD. "K"	3POS. TAB HOUSING COD. "L"	3POS. TAB HOUSING COD. "M"	3POS. TAB HOUSING COD. "N"	3POS. TAB HOUSING COD. "O"	3POS. TAB HOUSING COD. "P"	3POS. TAB HOUSING COD. "Q"	3POS. TAB HOUSING COD. "R"	3POS. TAB HOUSING COD. "S"	3POS. TAB HOUSING COD. "T"	3POS. TAB HOUSING COD. "U"	3POS. TAB HOUSING COD. "V"	3POS. TAB HOUSING COD. "W"	3POS. TAB HOUSING COD. "X"	3POS. TAB HOUSING COD. "Y"	3POS. TAB HOUSING COD. "Z"	3POS. TAB HOUSING COD. "A"	3POS. TAB HOUSING COD. "B"	3POS. TAB HOUSING COD. "C"	3POS. TAB HOUSING COD. "D"	3POS. TAB HOUSING COD. "E"	3POS. TAB HOUSING COD. "F"	3POS. TAB HOUSING COD. "G"	3POS. TAB HOUSING COD. "H"	3POS. TAB HOUSING COD. "I"	3POS. TAB HOUSING COD. "J"	3POS. TAB HOUSING COD. "K"	3POS. TAB HOUSING COD. "L"	3POS. TAB HOUSING COD. "M"	3POS. TAB HOUSING COD. "N"	3POS. TAB HOUSING COD. "O"	3POS. TAB HOUSING COD. "P"	3POS. TAB HOUSING COD. "Q"	3POS. TAB HOUSING COD. "R"	3POS. TAB HOUSING COD. "S"	3POS. TAB HOUSING COD. "T"	3POS. TAB HOUSING COD. "U"	3POS. TAB HOUSING COD. "V"	3POS. TAB HOUSING COD. "W"	3POS. TAB HOUSING COD. "X"	3POS. TAB HOUSING COD. "Y"	3POS. TAB HOUSING COD. "Z"	3POS. TAB HOUSING COD. "A"	3POS. TAB HOUSING COD. "B"	3POS. TAB HOUSING COD. "C"	3POS. TAB HOUSING COD. "D"	3POS. TAB HOUSING COD. "E"	3POS. TAB HOUSING COD. "F"	3POS. TAB HOUSING COD. "G"	3POS. TAB HOUSING COD. "H"	3POS. TAB HOUSING COD. "I"	3POS. TAB HOUSING COD. "J"	3POS. TAB HOUSING COD. "K"	3POS. TAB HOUSING COD. "L"	3POS. TAB HOUSING COD. "M"	3POS. TAB HOUSING COD. "N"	3POS. TAB HOUSING COD. "O"	3POS. TAB HOUSING COD. "P"	3POS. TAB HOUSING COD. "Q"	3POS. TAB HOUSING COD. "R"	3POS. TAB HOUSING COD. "S"	3POS. TAB HOUSING COD. "T"	3POS. TAB HOUSING COD. "U"	3POS. TAB HOUSING COD. "V"	3POS. TAB HOUSING COD. "W"	3POS. TAB HOUSING COD. "X"	3POS. TAB HOUSING COD. "Y"	3POS. TAB HOUSING COD. "Z"	3POS. TAB HOUSING COD. "A"	3POS. TAB HOUSING COD. "B"	3POS. TAB HOUSING COD. "C"	3POS. TAB HOUSING COD. "D"	3POS. TAB HOUSING COD. "E"	3POS. TAB HOUSING COD. "F"	3POS. TAB HOUSING COD. "G"	3POS. TAB HOUSING COD. "H"	3POS. TAB HOUSING COD. "I"	3POS. TAB HOUSING COD. "J"	3POS. TAB HOUSING COD. "K"	3POS. TAB HOUSING COD. "L"	3POS. TAB HOUSING COD. "M"	3POS. TAB HOUSING COD. "N"	3POS. TAB HOUSING COD. "O"	3POS. TAB HOUSING COD. "P"	3POS. TAB HOUSING COD. "Q"	3POS. TAB HOUSING COD. "R"	3POS. TAB HOUSING COD. "S"	3POS. TAB HOUSING COD. "T"	3POS. TAB HOUSING COD. "U"	3POS. TAB HOUSING COD. "V"	3POS. TAB HOUSING COD. "W"	3POS. TAB HOUSING COD. "X"	3POS. TAB HOUSING COD. "Y"	3POS. TAB HOUSING COD. "Z"	3POS. TAB HOUSING COD. "A"	3POS. TAB HOUSING COD. "B"	3POS. TAB HOUSING COD. "C"	3POS. TAB HOUSING COD. "D"	3POS. TAB HOUSING COD. "E"	3POS. TAB HOUSING COD. "F"	3POS. TAB HOUSING COD. "G"	3POS. TAB HOUSING COD. "H"	3POS. TAB HOUSING COD. "I"	3POS. TAB HOUSING COD. "J"	3POS. TAB HOUSING COD. "K"	3POS. TAB HOUSING COD. "L"	3POS. TAB HOUSING COD. "M"	3POS. TAB HOUSING COD. "N"	3POS. TAB HOUSING COD. "O"	3POS. TAB HOUSING COD. "P"	3POS. TAB HOUSING COD. "Q"	3POS. TAB HOUSING COD. "R"	3POS. TAB HOUSING COD. "S"	3POS. TAB HOUSING COD. "T"	3POS. TAB HOUSING COD. "U"	3POS. TAB HOUSING COD. "V"	3POS. TAB HOUSING COD. "W"	3POS. TAB HOUSING COD. "X"	3POS. TAB HOUSING COD. "Y"	3POS. TAB HOUSING COD. "Z"	3POS. TAB HOUSING COD. "A"	3POS. TAB HOUSING COD. "B"	3POS. TAB HOUSING COD. "C"	3POS. TAB HOUSING COD. "D"	3POS. TAB HOUSING COD. "E"	3POS. TAB HOUSING COD. "F"	3POS. TAB HOUSING COD. "G"	3POS. TAB HOUSING COD. "H"	3POS. TAB HOUSING COD. "I"	3POS. TAB HOUSING COD. "J"	3POS. TAB HOUSING COD. "K"	3POS. TAB HOUSING COD. "L"	3POS. TAB HOUSING COD. "M"	3POS. TAB HOUSING COD. "N"	3POS. TAB HOUSING COD. "O"	3POS. TAB HOUSING COD. "P"	3POS. TAB HOUSING COD. "Q"	3POS. TAB HOUSING COD. "R"	3POS. TAB HOUSING COD. "S"	3POS. TAB HOUSING COD. "T"	3POS. TAB HOUSING COD. "U"	3POS. TAB HOUSING COD. "V"	3POS. TAB HOUSING COD. "W"	3POS. TAB HOUSING COD. "X"	3POS. TAB HOUSING COD. "Y"	3POS. TAB HOUSING COD. "Z"	3POS. TAB HOUSING COD. "A"	3POS. TAB HOUSING COD. "B"	3POS. TAB HOUSING COD. "C"	3POS. TAB HOUSING COD. "D"	3POS. TAB HOUSING COD. "E"	3POS. TAB HOUSING COD. "F"	3POS. TAB HOUSING COD. "G"	3POS. TAB HOUSING COD. "H"	3POS. TAB HOUSING COD. "I"	3POS. TAB HOUSING COD. "J"	3POS. TAB HOUSING COD. "K"	3POS. TAB HOUSING COD. "L"	3POS. TAB HOUSING COD. "M"	3POS. TAB HOUSING COD. "N"	3POS. TAB HOUSING COD. "O"	3POS. TAB HOUSING COD. "P"	3POS. TAB HOUSING COD. "Q"	3POS. TAB HOUSING COD. "R"	3POS. TAB HOUSING COD. "S"	3POS. TAB HOUSING COD. "T"	3POS. TAB HOUSING COD. "U"	3POS. TAB HOUSING COD. "V"	3POS. TAB HOUSING COD. "W"	3POS. TAB HOUSING COD. "X"	3POS. TAB HOUSING COD. "Y"	3POS. TAB HOUSING COD. "Z"	3POS. TAB HOUSING COD. "A"	3POS. TAB HOUSING COD. "B"	3POS. TAB HOUSING COD. "C"	3POS. TAB HOUSING COD. "D"	3POS. TAB HOUSING COD. "E"	3POS. TAB HOUSING COD. "F"	3POS. TAB HOUSING COD. "G"	3POS. TAB HOUSING COD. "H"	3POS. TAB HOUSING COD. "I"	3POS. TAB HOUSING COD. "J"	3POS. TAB HOUSING COD. "K"	3POS. TAB HOUSING COD. "L"	3POS. TAB HOUSING COD. "M"	3POS. TAB HOUSING COD. "N"	3POS. TAB HOUSING COD. "O"	3POS. TAB HOUSING COD. "P"	3POS. TAB HOUSING COD. "Q"	3POS. TAB HOUSING COD. "R"	3POS. TAB HOUSING COD. "S"	3POS. TAB HOUSING COD. "T"	3POS. TAB HOUSING COD. "U"	3POS. TAB HOUSING COD. "V"	3POS. TAB HOUSING COD. "W"	3POS. TAB HOUSING COD. "X"	3POS. TAB HOUSING COD. "Y"	3POS. TAB HOUSING COD. "Z"	3POS. TAB HOUSING COD. "A"	3POS. TAB HOUSING COD. "B"	3POS. TAB HOUSING COD. "C"	3POS. TAB HOUSING COD. "D"	3POS. TAB HOUSING COD. "E"	3POS. TAB HOUSING COD. "F"	3POS. TAB HOUSING COD. "G"	3POS. TAB HOUSING COD. "H"	3POS. TAB HOUSING COD. "I"	3POS. TAB HOUSING COD. "J"	3POS. TAB HOUSING COD. "K"	3POS. TAB HOUSING COD. "L"	3POS. TAB HOUSING COD. "M"	3POS. TAB HOUSING COD. "N"	3POS. TAB HOUSING COD. "O"	3POS. TAB HOUSING COD. "P"	3POS. TAB HOUSING COD. "Q"	3POS. TAB HOUSING COD. "R"	3POS. TAB HOUSING COD. "S"	3POS. TAB HOUSING COD. "T"	3POS. TAB HOUSING COD. "U"	3POS. TAB HOUSING COD. "V"	3POS. TAB HOUSING COD. "W"	3POS. TAB HOUSING COD. "X"	3POS. TAB HOUSING COD. "Y"	3POS. TAB HOUSING COD. "Z"	3POS. TAB HOUSING COD. "A"	3POS. TAB HOUSING COD. "B"	3POS. TAB HOUSING COD. "C"	3POS. TAB HOUSING COD. "D"	3POS. TAB HOUSING COD. "E"	3POS. TAB HOUSING COD. "F"	3POS. TAB HOUSING COD. "G"	3POS. TAB HOUSING COD. "H"	3POS. TAB HOUSING COD. "I"	3POS. TAB HOUSING COD. "J"	3POS. TAB HOUSING COD. "K"	3POS. TAB HOUSING COD. "L"	3POS. TAB HOUSING COD. "M"	3POS. TAB HOUSING COD. "N"	3POS. TAB HOUSING COD. "O"	3POS. TAB HOUSING COD. "P"	3POS. TAB HOUSING COD. "Q"	3POS. TAB HOUSING COD. "R"	3POS. TAB HOUSING COD. "S"	3POS. TAB HOUSING COD. "T"	3POS. TAB HOUSING COD. "U"	3POS. TAB HOUSING COD. "V"	3POS. TAB HOUSING COD. "W"	3POS. TAB HOUSING COD. "X"	3POS. TAB HOUSING COD. "Y"	3POS. TAB HOUSING COD. "Z"	3POS. TAB HOUSING COD. "A"	3POS. TAB HOUSING COD. "B"	3POS. TAB HOUSING COD. "C"	3POS. TAB HOUSING COD. "D"	3POS. TAB HOUSING COD. "E"	3POS. TAB HOUSING COD. "F"	3POS. TAB HOUSING COD. "G"	3POS. TAB HOUSING COD. "H"	3POS. TAB HOUSING COD. "I"	3POS. TAB HOUSING COD. "J"	3POS. TAB HOUSING COD. "K"	3POS. TAB HOUSING COD. "L"	3POS. TAB HOUSING COD. "M"	3POS. TAB HOUSING COD. "N"	3POS. TAB HOUSING COD. "O"	3POS. TAB HOUSING COD. "P"	3POS. TAB HOUSING COD. "Q"	3POS. TAB HOUSING COD. "R"	3POS. TAB HOUSING COD. "S"	3POS. TAB HOUSING COD. "T"	3POS. TAB HOUSING COD. "U"	3POS. TAB HOUSING COD. "V"	3POS. TAB HOUSING COD. "W"	3POS. TAB HOUSING COD. "X"	3POS. TAB HOUSING COD. "Y"	3POS. TAB HOUSING COD. "Z"	3POS. TAB HOUSING COD. "A"	3POS. TAB HOUSING COD. "B"	3POS. TAB HOUSING COD. "C"	3POS. TAB HOUSING COD. "D"	3POS. TAB HOUSING COD. "E"	3POS. TAB HOUSING COD. "F"	3POS. TAB HOUSING COD. "G"	3POS. TAB HOUSING COD. "H"	3POS. TAB HOUSING COD. "I"	3POS. TAB HOUSING COD. "J"	3POS. TAB HOUSING COD. "K"	3POS. TAB HOUSING COD. "L"	3POS. TAB HOUSING COD. "M"	3POS. TAB HOUSING COD. "N"	3POS. TAB HOUSING COD. "O"	3POS. TAB HOUSING COD. "P"	3POS. TAB HOUSING COD. "Q"	3POS. TAB HOUSING COD. "R"	3POS. TAB HOUSING COD. "S"	3POS. TAB HOUSING COD. "T"	3POS. TAB HOUSING COD. "U"	3POS. TAB HOUSING COD. "V"	3POS. TAB HOUSING COD. "W"	3POS. TAB HOUSING COD. "X"	3POS. TAB HOUSING COD. "Y"	3POS. TAB HOUSING COD. "Z"	3POS. TAB HOUSING COD. "A"	3POS. TAB HOUSING COD. "B"	3POS. TAB HOUSING COD. "C"	3POS. TAB HOUSING COD. "D"	3POS. TAB HOUSING COD. "E"	3POS. TAB HOUSING COD. "F"	3POS. TAB HOUSING COD. "G"	3POS. TAB HOUSING COD. "H"	3POS. TAB HOUSING COD. "I"	3POS. TAB HOUSING COD. "J"	3POS. TAB HOUSING COD. "K"	3POS. TAB HOUSING COD. "L"	3POS. TAB HOUSING COD. "M"	3POS. TAB HOUSING COD. "N"	3POS. TAB HOUSING COD. "O"	3POS. TAB HOUSING COD. "P"	3POS. TAB HOUSING COD. "Q"	3POS. TAB HOUSING COD. "R"	3POS. TAB HOUSING COD. "S"	3POS. TAB HOUSING COD. "T"	3POS. TAB HOUSING COD. "U"	3POS. TAB HOUSING COD. "V"	3POS. TAB HOUSING COD. "W"	3POS. TAB HOUSING COD. "X"	3POS. TAB HOUSING COD. "Y"	3POS. TAB HOUSING COD. "Z"	3POS. TAB HOUSING COD. "A"	3POS. TAB HOUSING COD. "B"	3POS. TAB HOUSING COD. "C"	3POS. TAB HOUSING COD. "D"	3POS. TAB HOUSING COD. "E"	3POS. TAB HOUSING COD. "F"	3POS. TAB HOUSING COD. "G"	3POS. TAB HOUSING COD. "H"	3POS. TAB HOUSING COD. "I"	3POS. TAB HOUSING COD. "J"	3POS. TAB HOUSING COD. "K"	3POS. TAB HOUSING COD. "L"	3POS. TAB HOUSING COD. "M"	3POS. TAB HOUSING COD. "N"	3POS. TAB HOUSING COD. "O"	3POS. TAB HOUSING COD. "P"	3POS. TAB HOUSING COD. "Q"	3POS. TAB HOUSING COD. "R"	3POS. TAB HOUSING COD. "S"	3POS. TAB HOUSING COD. "T"	3POS. TAB HOUSING COD. "U"	3POS. TAB HOUSING COD. "V"	3POS. TAB HOUSING COD. "W"	3POS. TAB HOUSING COD. "X"	3POS. TAB HOUSING COD. "Y"	3POS. TAB HOUSING COD. "Z"	3POS. TAB HOUSING COD. "A"	3POS. TAB HOUSING COD. "B"	3POS. TAB HOUSING COD. "C"	3POS. TAB HOUSING COD. "D"	3POS. TAB HOUSING COD. "E"	3POS. TAB HOUSING COD. "F"	3POS. TAB HOUSING COD. "G"	3POS. TAB HOUSING COD. "H"	3POS. TAB HOUSING COD. "I"	3POS. TAB HOUSING COD. "J"	3POS. TAB HOUSING COD. "K"	3POS. TAB HOUSING COD. "L"	3POS. TAB HOUSING COD. "M"	3POS. TAB HOUSING COD. "N"	3POS. TAB HOUSING COD. "O"	3POS. TAB HOUSING COD. "P"	3POS. TAB HOUSING COD. "Q"	3POS. TAB HOUSING COD. "R"	3POS. TAB HOUSING COD. "S"	3POS. TAB HOUSING COD. "T"	3POS. TAB HOUSING COD. "U"	3POS. TAB HOUSING COD. "V"	3POS. TAB HOUSING COD. "W"	3POS. TAB HOUSING COD. "X"	3POS. TAB HOUSING COD. "Y"	3POS. TAB HOUSING COD. "Z"