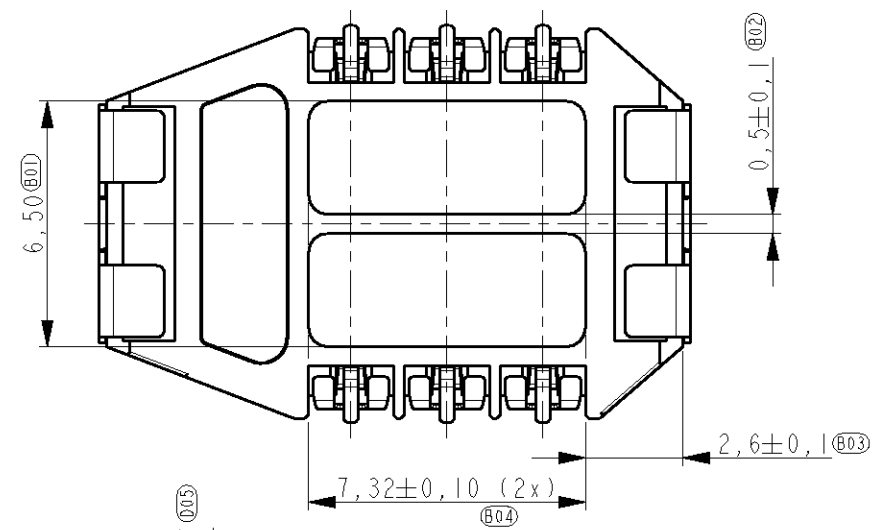
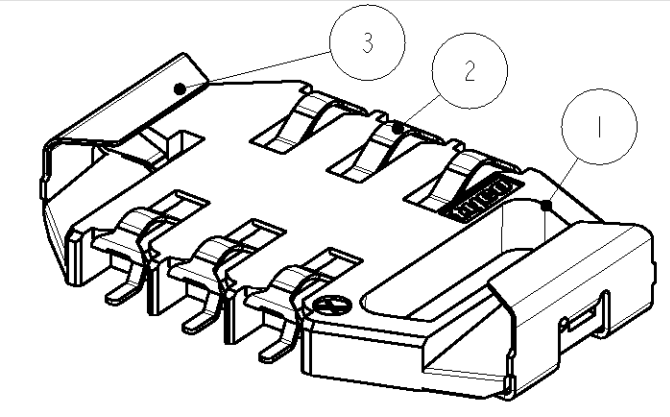
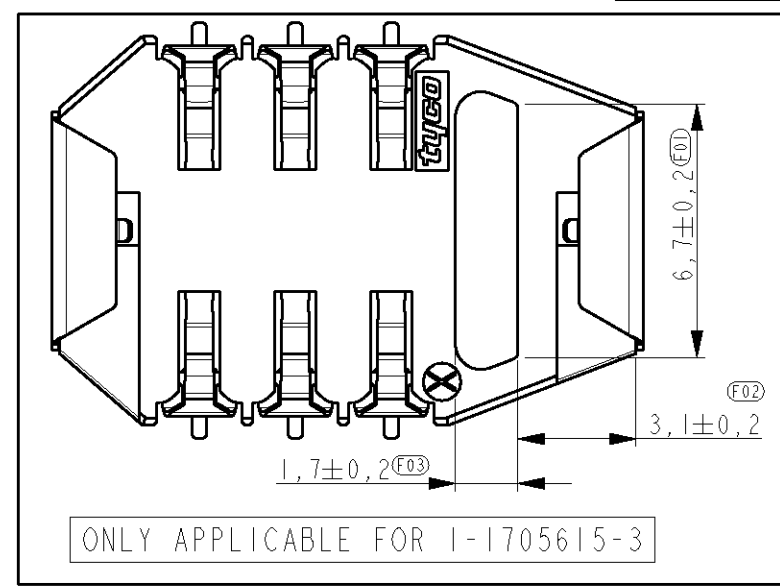
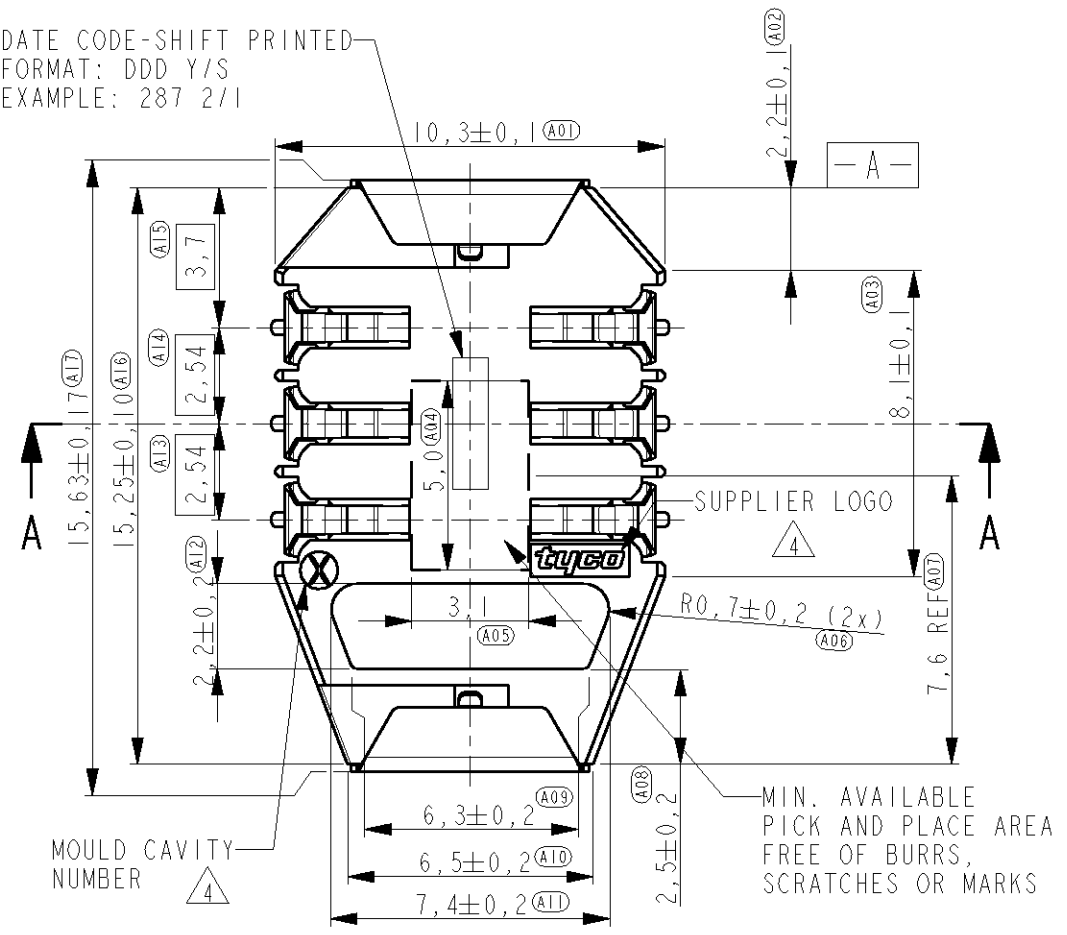


THIS DRAWING IS UNPUBLISHED. RELEASED FOR PUBLICATION
 © COPYRIGHT - BY TYCO ELECTRONICS CORPORATION. ALL RIGHTS RESERVED.

LOC H
 DIST -

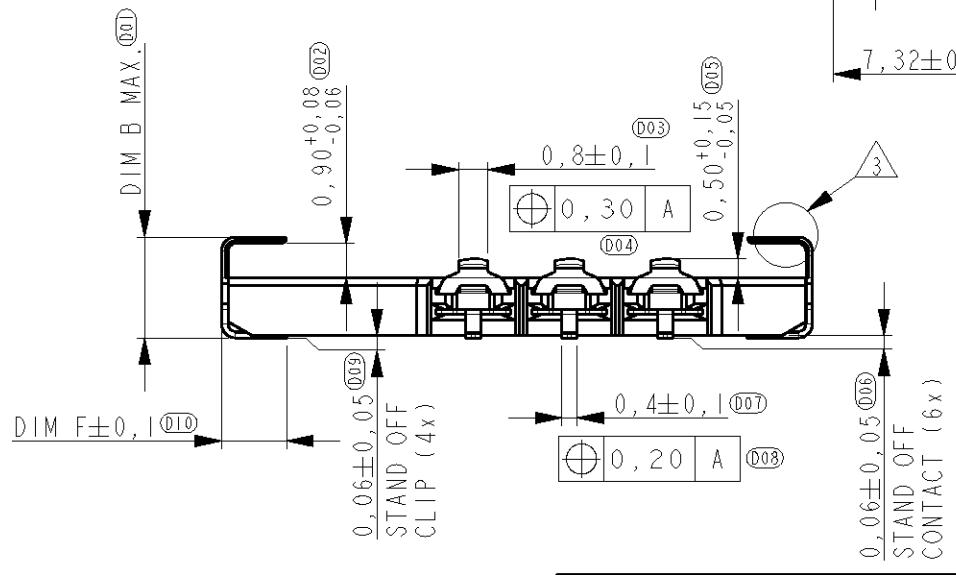
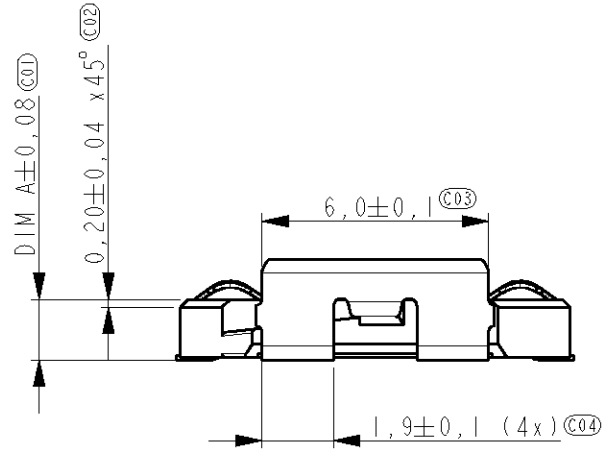
REVISIONS					
P	LTR	DESCRIPTION	DATE	DWN	APVD
B4		ECR-06-004723	27FEB2006	WJ	JB
C		ECR-06-028000	30NOV2006	WJ	DH
D		ECR-07-006334	27MAR2007	WJ	DH
DI		ECR-10-002853	09MAR11	RK	JHA

DATE CODE-SHIFT PRINTED
 FORMAT: DDD Y/S
 EXAMPLE: 287 2/1



NOTES:

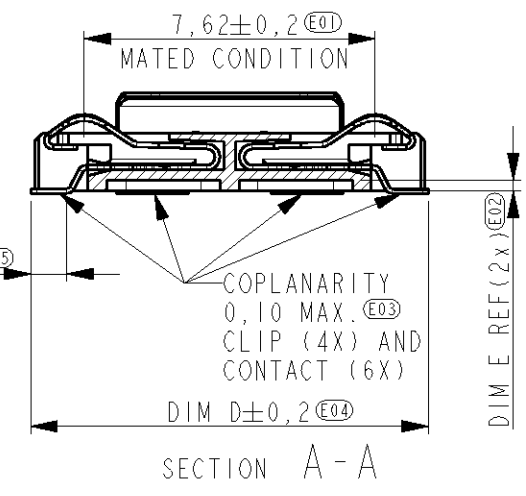
- 1 CONTACT PLATING:
 1,3µm MIN. NICKEL UNDERLAYER
 CARD SIDE: 0,2µm MIN. GOLD OVER 1,0µm MIN. PdNi
 SOLDER SIDE: 3,0µm MIN Sn
- 2 CLIP PLATING:
 1,3µm MIN. NICKEL UNDERLAYER
 SOLDER SIDE 3,0µm MIN. Sn
- 3 BURR FREE ON SIM CARD SIDE
- 4 MARKINGS ON RECESSED AREA
- 5 FOR PACKAGING AND PCB LAYOUT SEE SHEET 2.



1-1705615-6 AS SHOWN

OBSOLETE
 OBSOLETE

PARTNUMBER	DIM A	DIM B	DIM C	DIM D	DIM E	DIM F
2-1705615-0	2,00	3,20	1,1	10,5	0,7	1,6
1-1705615-9	1,90	3,10	1,2	10,7	0,6	1,7
1-1705615-8	1,80	3,00	1,3	10,9	0,5	1,5
1-1705615-7	1,70	2,90	1,4	11,1	0,4	1,6
1-1705615-6	1,60	2,80	1,1	10,5	0,3	1,7
1-1705615-5	1,50	2,70	1,2	10,7	0,2	1,5
1-1705615-4	1,40	2,60	1,3	10,9	0,1	1,6
1-1705615-3	1,30	2,50	1,4	11,1	0,0	1,7



THIS DRAWING IS A CONTROLLED DOCUMENT FOR TYCO ELECTRONICS CORPORATION
 IT IS SUBJECT TO CHANGE AND THE CONTROLLING ENGINEERING ORGANIZATION
 SHOULD BE CONTACTED FOR THE LATEST REVISION.

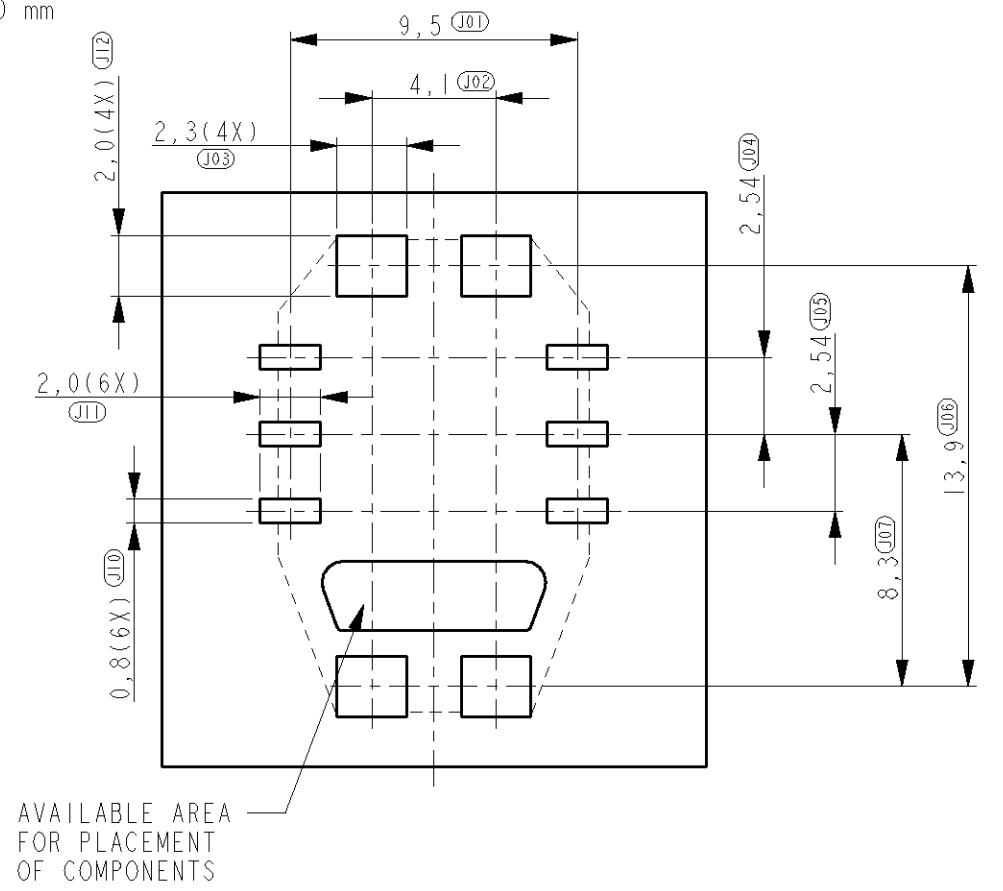
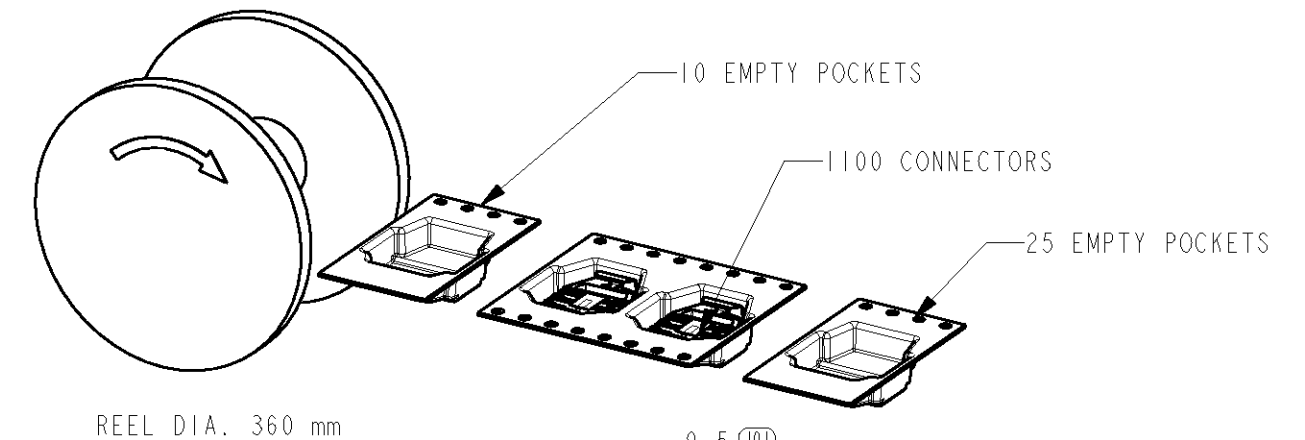
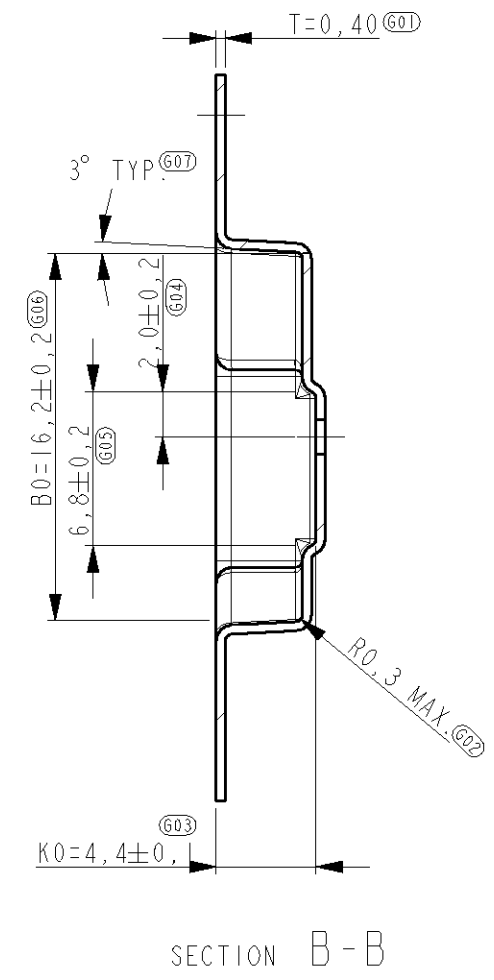
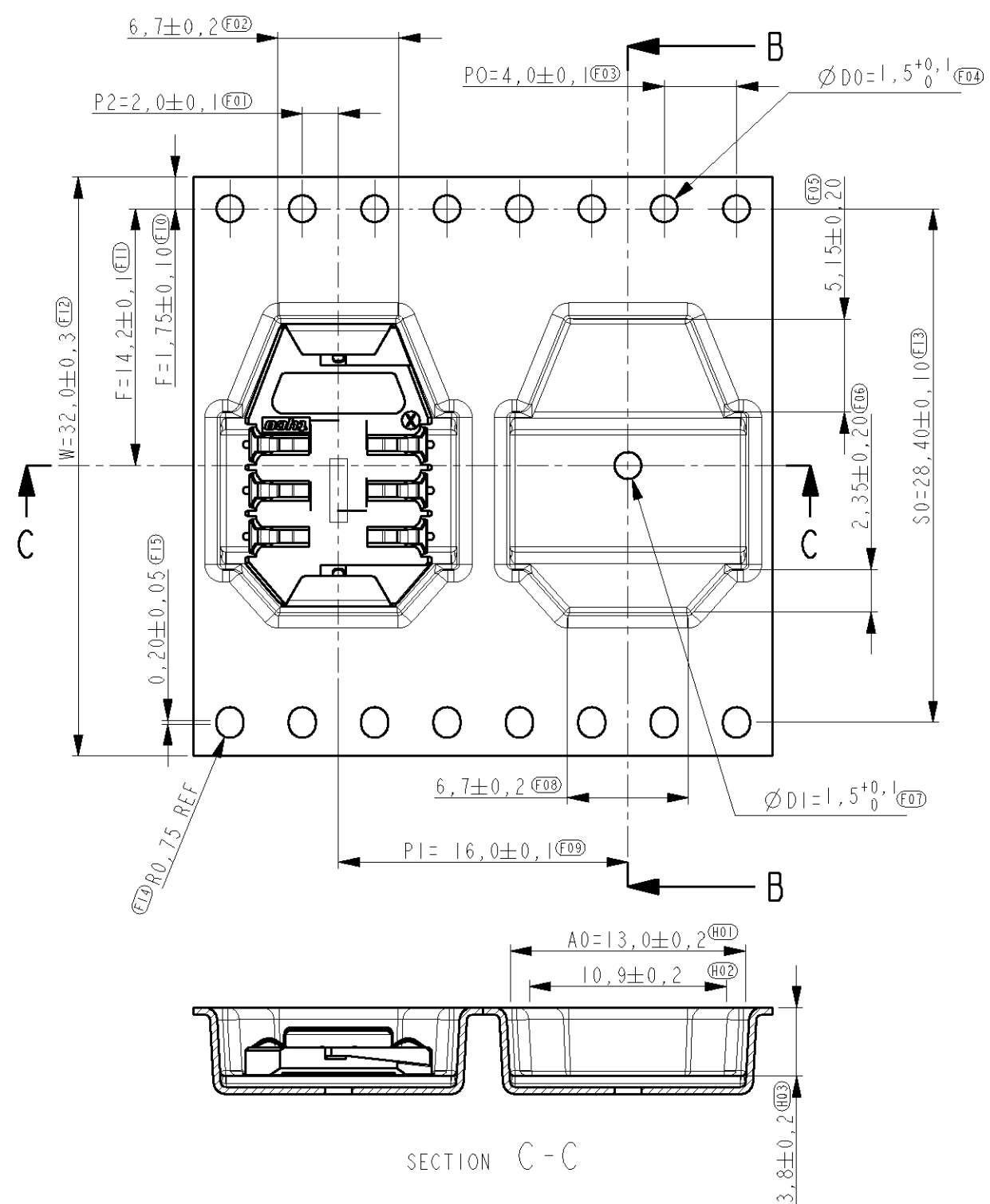
DIMENSIONS:	TOLERANCES UNLESS OTHERWISE SPECIFIED:
mm	0 PLC ±
	1 PLC ±
	2 PLC ±
	3 PLC ±
	4 PLC ±
	ANGLES ±
MATERIAL	FINISH

DWN	W. Jansen	29AUG05
CHK	W. Jansen	29AUG05
APVD	P. Jaeger	-
PRODUCT SPEC	108-19241	
APPLICATION SPEC	114-19075	
WEIGHT	-	
CUSTOMER DRAWING		

		Tyco Electronics Corporation 's-Hertogenbosch, Nederland	
NAME SCALABLE SLIDING SIM CONNECTOR TWO PIECE CLIP 6 POSITIONS			
SIZE	CAGE CODE	DRAWING NO	RESTRICTED TO
A3	00779	C-1705615	-
SCALE 5:1		SHEET 1 OF 2	REV DI

THIS DRAWING IS UNPUBLISHED. RELEASED FOR PUBLICATION
 © COPYRIGHT - BY TYCO ELECTRONICS CORPORATION. ALL RIGHTS RESERVED.

LOC	DIST	REVISIONS					
		P	LTR	DESCRIPTION	DATE	DWN	APVD
H	-	-	-	SEE SHEET 1	-	-	-



NOTES:
 ANTI-STATIC COVER, EMBOSS TAPE AND REEL ACCORDING EIA STANDARD 481-B

THIS DRAWING IS A CONTROLLED DOCUMENT FOR TYCO ELECTRONICS CORPORATION IT IS SUBJECT TO CHANGE AND THE CONTROLLING ENGINEERING ORGANIZATION SHOULD BE CONTACTED FOR THE LATEST REVISION.		DWN W. Jansen 29AUG05	Tyco Electronics Corporation 's-Hertogenbosch, Nederland	
DIMENSIONS: mm		CHK W. Jansen 29AUG05		
TOLERANCES UNLESS OTHERWISE SPECIFIED:		APVD P. Jaeger	NAME SCALABLE SLIDING SIM CONNECTOR TWO PIECE CLIP	
0 PLC ± 1 PLC ± 2 PLC ± 3 PLC ± 4 PLC ± ANGLES ±		PRODUCT SPEC -	SIZE A3	
MATERIAL -		APPLICATION SPEC -	CAGE CODE 00779	DRAWING NO C-1705615
FINISH -		WEIGHT -	RESTRICTED TO -	
CUSTOMER DRAWING		SCALE 1:1	SHEET 2	OF 2
			REV D1	