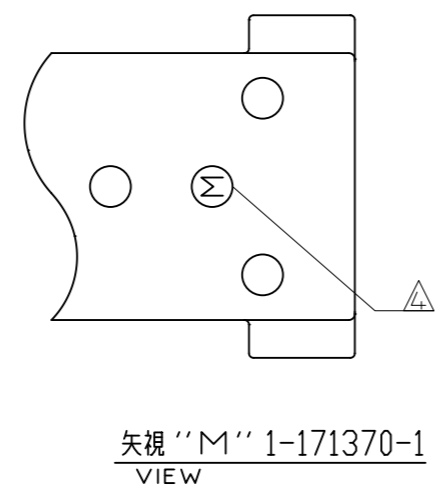
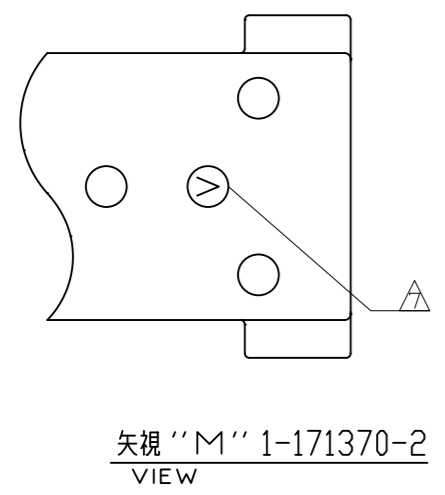
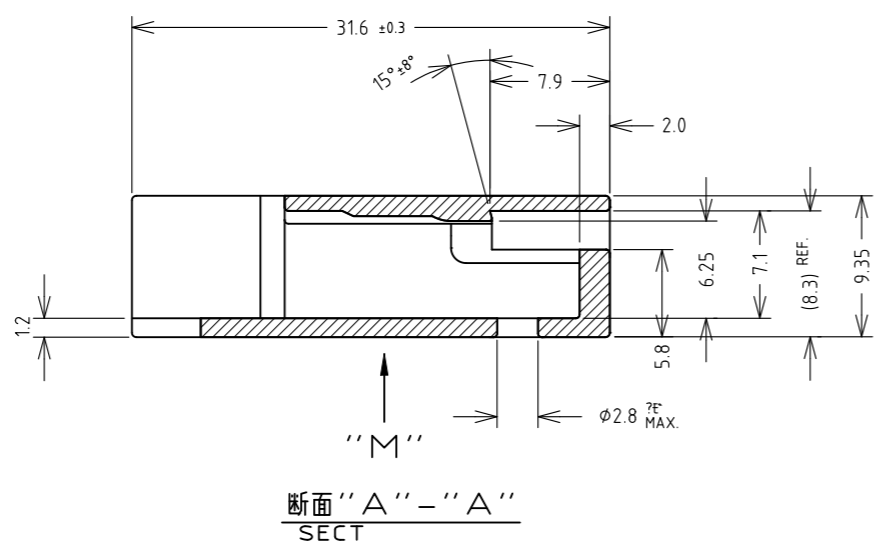
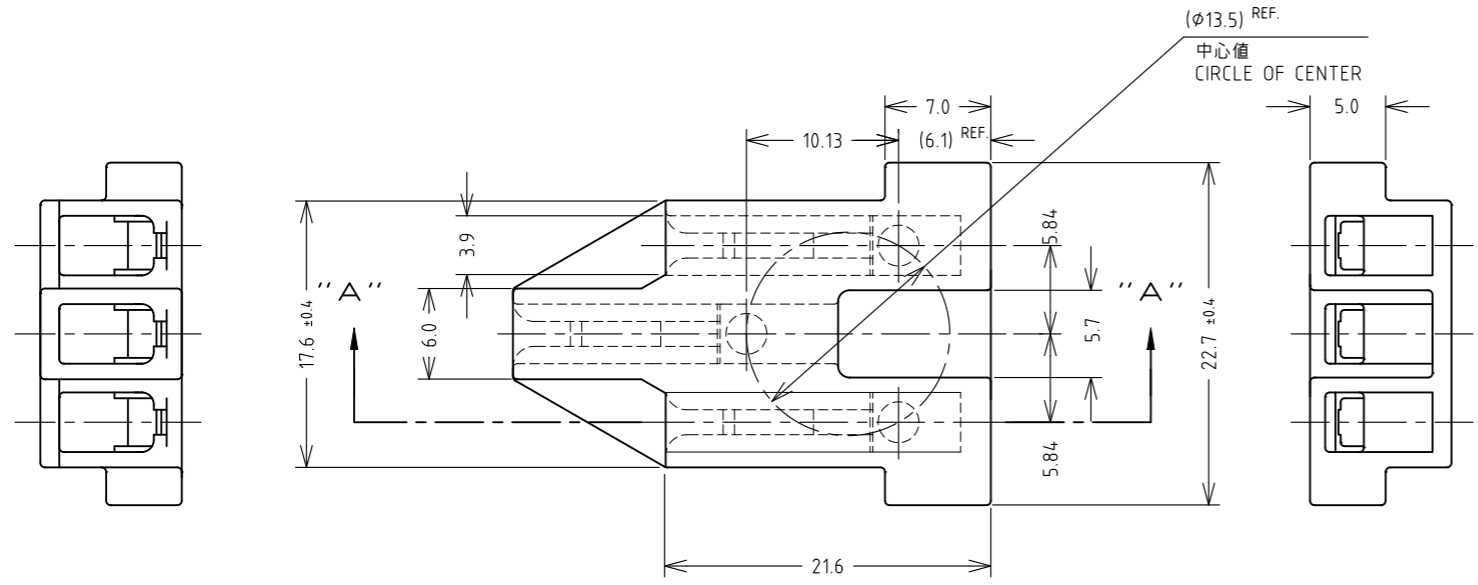


THIS DRAWING IS UNPUBLISHED. RELEASED FOR PUBLICATION MAY, 21 .
 © COPYRIGHT 02 By - ALL RIGHTS RESERVED.

LOC	DIST	REVISIONS					
		P	LTR	DESCRIPTION	DATE	DWN	APVD
J	-		R4	REVISED PER ECR-24-225939	07MAR2025	VI	AW



- 注記:
- 一般公差 : ±0.2
 - 適用ピン リセプタクル型番 : □-170063-□, □-353937-□, □-1123655-□
 - 適用規格番号 : 108-5143 (型番1-171370-1)
- △ 裏面上 I.D マーク : 型番1-171370-1のみ M 表示 文字の向きは任意とする。
 - △ ミューラスRタイプ : UL94V-0, CTI 600V
 - △ フェノール ノンアンモニア : UL94V-0, CTI 175 ~ 249V以上
 - △ 裏面上 I.D マーク : 型番1-171370-2のみ L 表示 文字の向きは任意とする。

- NOTES:
- GENERAL TOLERANCE ±0.2
 - APPLICABLE CONTACT PART No.: □-170063-□, □-353937-□, □-1123655-□
 - PRODUCT SPEC No.: 108-5143(1-171370-1)
- △ I.D MARK ON REAR SIDE : INDICATION M AT PART No.1-171370-1 ONLY. DIRECTION OF CHARACTERS IS FREE.
 - △ MEWLUS "J" TYPE : UL94V-0, CTI 600V MIN
 - △ PHENOLIC NONAMMONIA UL94V-0, CTI 175 ~ 249V
 - △ I.D MARK ON REAR SIDE : INDICATION L AT PART No.1-171370-2 ONLY. DIRECTION OF CHARACTERS IS FREE.

△ 1-171370-2	△ フェノール (PHENOLIC)	黒 (BLACK)
△ 1-171370-1	△ ミューラス Rタイプ (MEWLUS "J" TYPE)	黒 (BLACK)
型番 (PART No.)	材料 (MATERIAL)	色 (COLOR)

THIS DRAWING IS A CONTROLLED DOCUMENT.		DWN M.SUZUKI 21MAY2002	STE TE Connectivity	
DIMENSIONS: 単位: 耗 mm		CHK M.SHINDO 21MAY2002		
TOLERANCES UNLESS OTHERWISE SPECIFIED: 一般公差		APVD M.SHINDO 21MAY2002	NAME 名称 2.3 DIA CLUSTER BLOCK	
0 PLC ±		PRODUCT SPEC 製品規格	Φ2.3 クラスタブロック	
1 PLC ±		APPLICATION SPEC 取付適用規格	SIZE A3	CAGE CODE 00779
2 PLC ±		WEIGHT	DRAWING NO 番号 C-171370	RESTRICTED TO
3 PLC ±				
4 PLC ±				
ANGLES ±				
FINISH 仕上			SCALE 尺度 4:1	SHEET 1 of 3
MATERIAL 材料 SEE TABLE				REV R4

THIS DRAWING IS UNPUBLISHED.

RELEASED FOR PUBLICATION MAY ,21 .

© COPYRIGHT 02 By -

ALL RIGHTS RESERVED.

LOC J DIST -

REVISIONS

変更

DESCRIPTION

DATE

DWN

APVD

SEE SHEET 1

注記

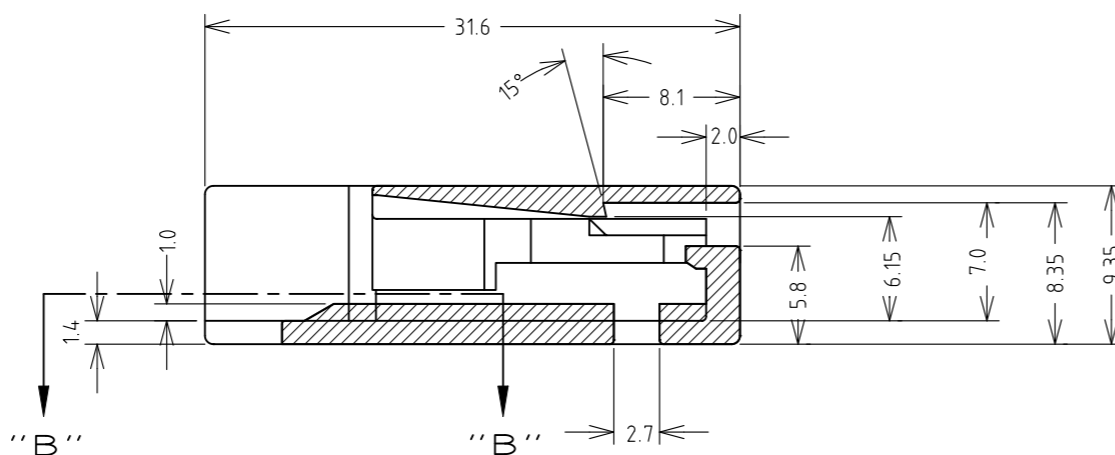
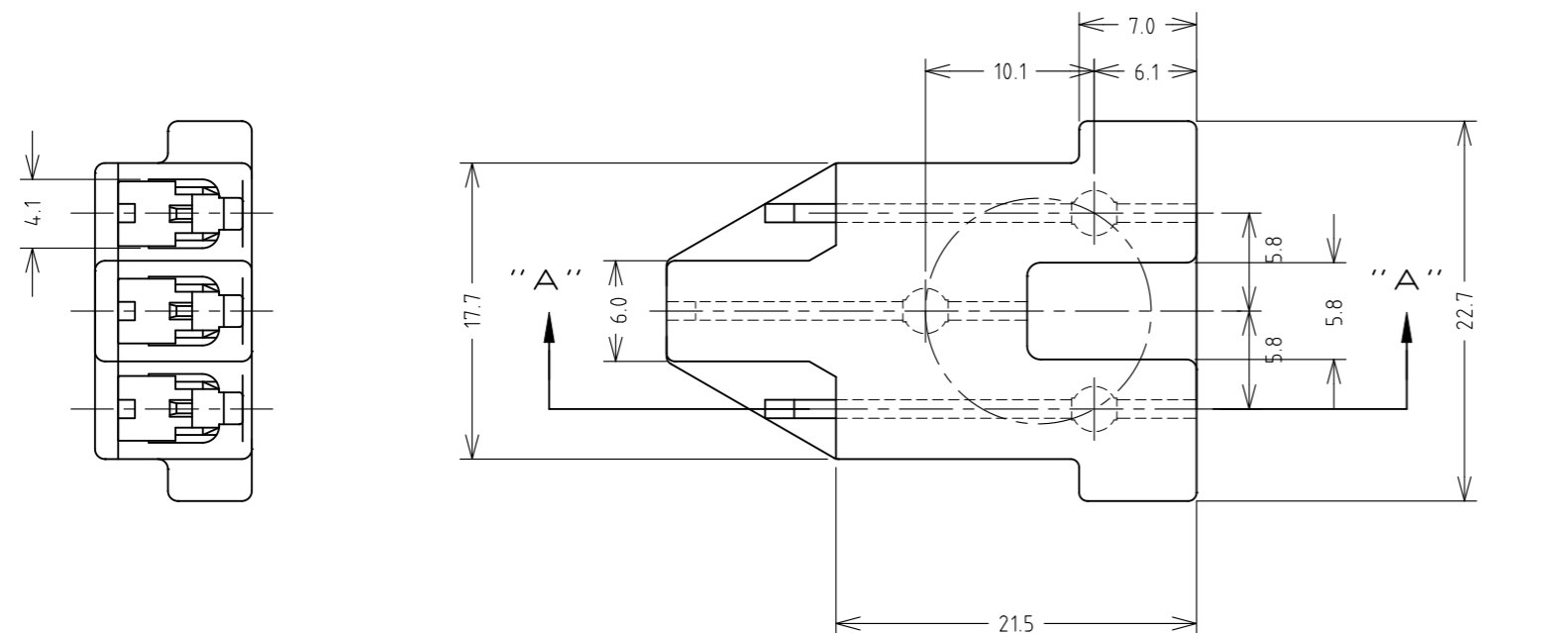
- 1. 一般公差 : ±0.2
- 2. 適用ピン リセプタクル型番 : □-170063-□ , □-353937-□ , □-1123655-□
- 3. 適用規格番号: 108-5205(型番171370-3)
108-61239(型番171370-4)
108-5541(型番171370-5)

- 4 PARTS COMPLY WITH GLOW WIRE 750 PER IEC 60335-1.
- 5 MUST BE APPLIED ON THE OUTSIDE OF COMPRESSOR.

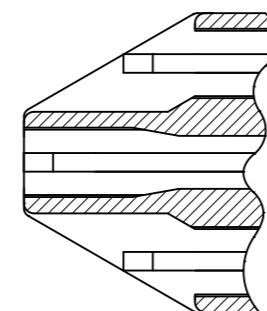
NOTES;

- 1. GENERAL TOLERANCE ±0.2
- 2. APPLICABLE CONTACT PART No.:
□-170063-□ , □-353937-□ , □-1123655-□
- 3. PRODUCT SPEC No.: 108-5205(FOR PART No.171370-3)
108-61239(FOR PART No.171370-4)
108-5541(FOR PART No.171370-5)

- 4 GLOW WIRE 750(IEC 60335-1), CTI 600V(HALOGEN FREE)
- 5 MUST BE APPLIED ON THE OUTSIDE OF COMPRESSOR.



断面 "A" - "A"
SECT



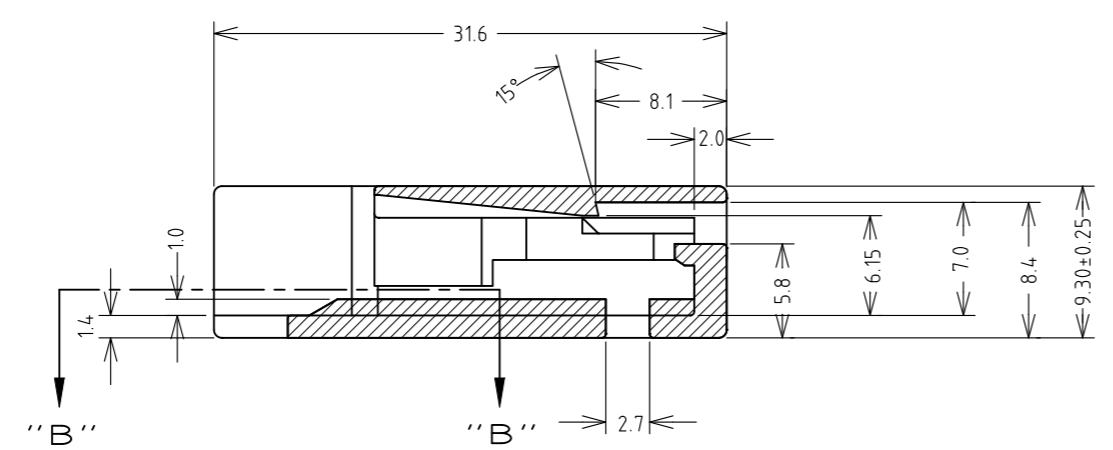
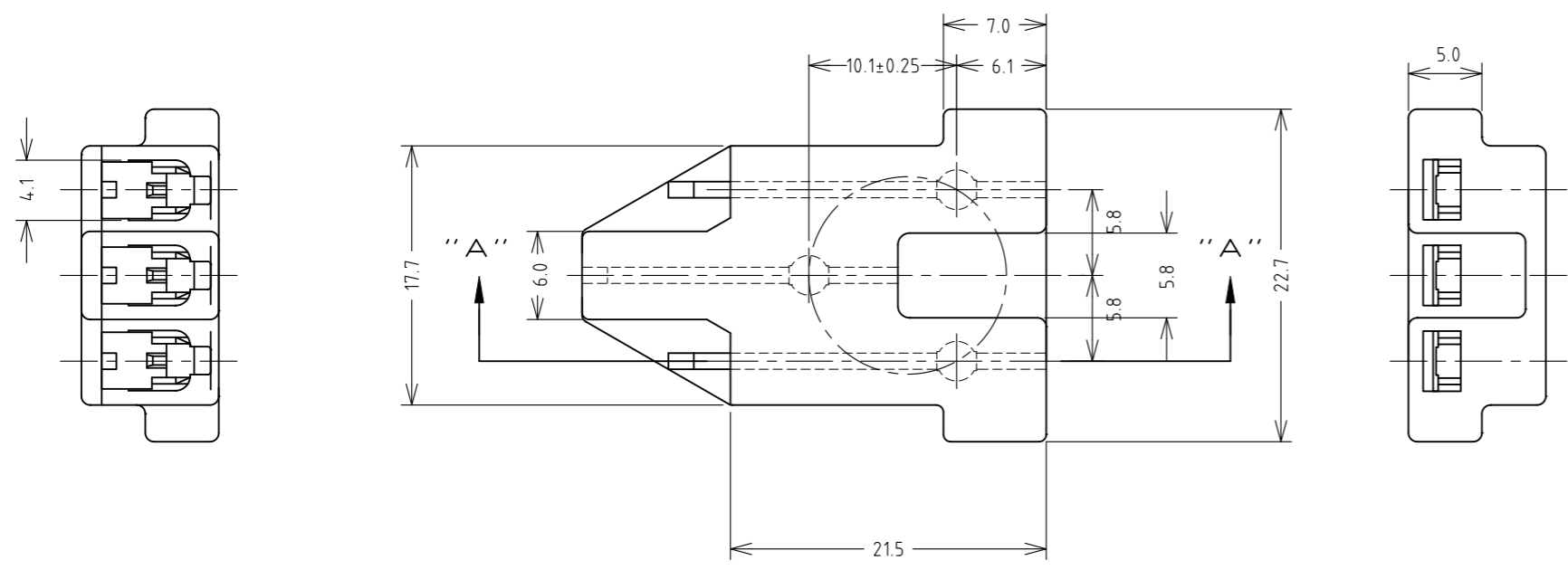
断面 "B" - "B"
SECT

171370-5	PBT ガラス強化 PBT GLASS FILLED(UL94V-0)	灰色 (GRAY)
171370-4	PBT ガラス強化 PBT GLASS FILLED(UL94V-0)	黒 (BLACK)
171370-3	PBT ガラス強化 PBT GLASS FILLED(UL94HB)	自然色 (NATURAL)
型番 (PART No.)	材 料 (MATERIAL)	色 (COLOR)

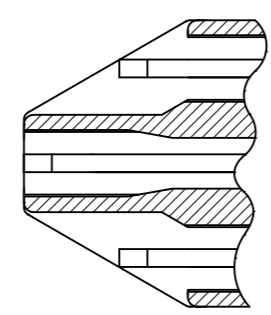
THIS DRAWING IS A CONTROLLED DOCUMENT.		DWN M.SUZUKI 21MAY2002	STE TE Connectivity	
DIMENSIONS: 単位: 耗 mm		CHK M.SHINDO 21MAY2002		
TOLERANCES UNLESS OTHERWISE SPECIFIED: 一般公差		APVD M.SHINDO 21MAY2002	NAME 名称 2.3 DIA CLUSTER BLOCK	
0 PLC ± -		PRODUCT SPEC 製品規格 SEE NOTES 3.	SIZE	
1 PLC ± -		APPLICATION SPEC 取付適用規格	CAGE CODE	DRAWING NO 番号
2 PLC ± -		WEIGHT	A300779	G-171370
3 PLC ± -		CUSTOMER DRAWING	SCALE 尺度 4:1	SHEET 2 of 3
4 PLC ± -			RESTRICTED TO	REV R4
ANGLES ± -				
FINISH 仕上				
MATERIAL 材料 SEE TABLE				

THIS DRAWING IS UNPUBLISHED. RELEASED FOR PUBLICATION MAY, 21 .
 © COPYRIGHT 02 By - ALL RIGHTS RESERVED.

LOC	DIST	REVISIONS					
		P	LTR	DESCRIPTION	DATE	DWN	APVD
J	-	-	-	SEE SHEET 1	-	-	-



断面 "A" - "A"
SECT



断面 "B" - "B"
SECT

注記:

1. 一般公差 : ±0.2
2. 適用ピン リセプタクル型番 : □-170063-□, □-353937-□, □-1123655-□
3. 適用規格番号: 108-140004 (型番171370-7)
- △ PRELIMINARY-NOT FOR PRODUCTION
- △ PARTS COMPLY WITH GLOW WIRE REQUIREMENTS DETAILED IN IEC 60335-1

NOTES:

1. GENERAL TOLERANCE ±0.2
2. APPLICABLE CONTACT PART No. : □-170063-□, □-353937-□, □-1123655-□
3. PRODUCT SPEC No.: 108-140004 (FOR PART No. 171370-7)
- △ PRELIMINARY-NOT FOR PRODUCTION
- △ PARTS COMPLY WITH GLOW WIRE REQUIREMENTS DETAILED IN IEC 60335-1
- △ PRELIMINARY PART

△6	171370-8	PPS (UL94V-0)	(NATURAL)
△5	171370-6	PA 6 GLASS FILLED	自然色 (NATURAL)
	171370-7	液晶ポリマー (UL94V-0) LCP (UL94V-0)	自然色 (NATURAL)
	型番 (PART No.)	材料 (MATERIAL)	色 (COLOR)

THIS DRAWING IS A CONTROLLED DOCUMENT.		DWN M.SUZUKI 21MAY2002	TE Connectivity														
DIMENSIONS: 単位: 耗 mm		CHK M.SHINDO 21MAY2002															
TOLERANCES UNLESS OTHERWISE SPECIFIED: 一般公差		APVD M.SHINDO 21MAY2002	NAME 名称 2.3 DIA CLUSTER BLOCK														
<table border="0"> <tr><td>0 PLC</td><td>± -</td></tr> <tr><td>1 PLC</td><td>± -</td></tr> <tr><td>2 PLC</td><td>± -</td></tr> <tr><td>3 PLC</td><td>± -</td></tr> <tr><td>4 PLC</td><td>± -</td></tr> <tr><td>ANGLES</td><td>± -</td></tr> </table>		0 PLC	± -	1 PLC	± -	2 PLC	± -	3 PLC	± -	4 PLC	± -	ANGLES	± -	PRODUCT SPEC 製品規格 SEE NOTES 3.	DRAWING NO 番号 A300779 C-171370		
0 PLC	± -																
1 PLC	± -																
2 PLC	± -																
3 PLC	± -																
4 PLC	± -																
ANGLES	± -																
MATERIAL 材料 SEE TABLE		APPLICATION SPEC 取付適用規格	SIZE	CAGE CODE	RESTRICTED TO												
FINISH 仕上		WEIGHT -	A3	00779	-												
		CUSTOMER DRAWING	SCALE 尺度 4:1	SHEET 3 of 3	REV R4												