

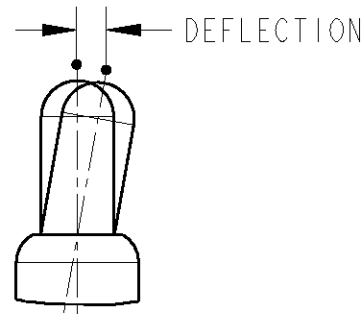
THIS DRAWING IS UNPUBLISHED. RELEASED FOR PUBLICATION 2003
 © COPYRIGHT 2003 BY TYCO ELECTRONICS CORPORATION. ALL RIGHTS RESERVED.

LOC	DIST	REVISIONS					
		P	LTR	DESCRIPTION	DATE	DWN	APVD
J	-		D	REVISED	11MAY07	C.O	Y.N

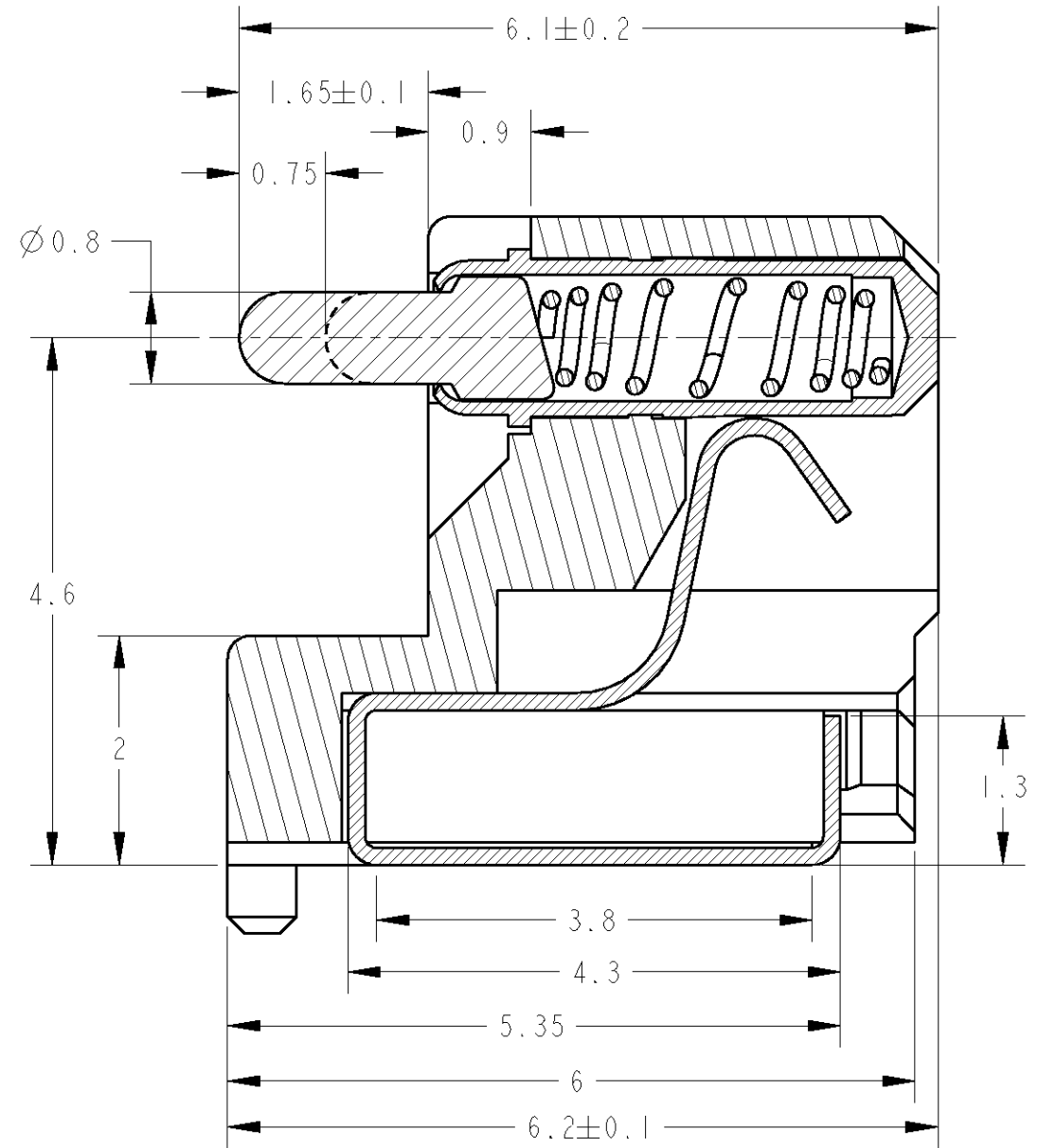
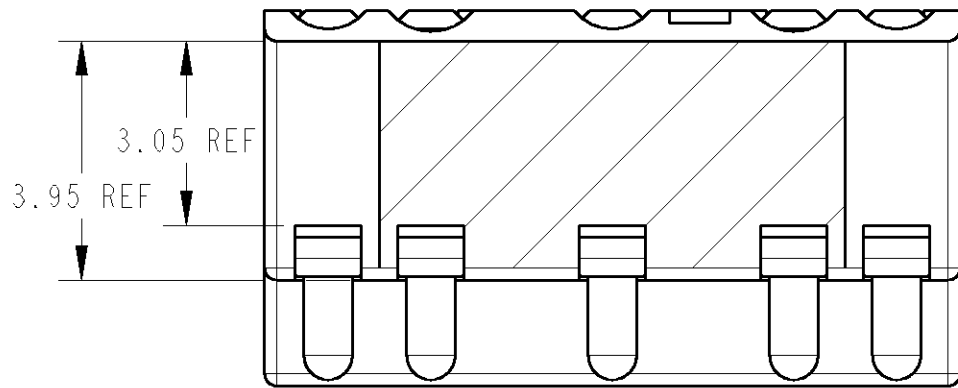
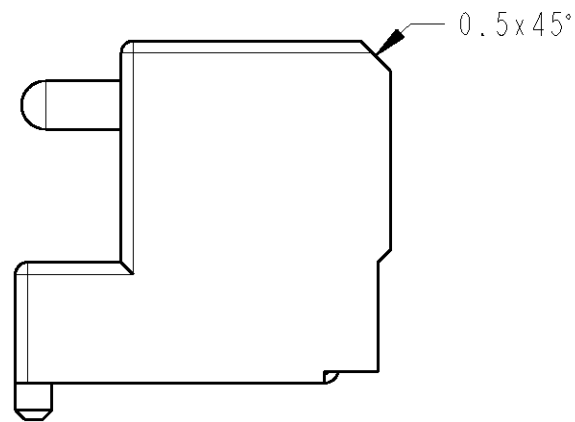
本図面に記載された内容はタイコ エレクトロニクス アンブ(株)の所有する情報を開示しております。
 無断で複写・配布する事を禁じます。 特許出願中

-1; 本図
 -1; AS SHOWN

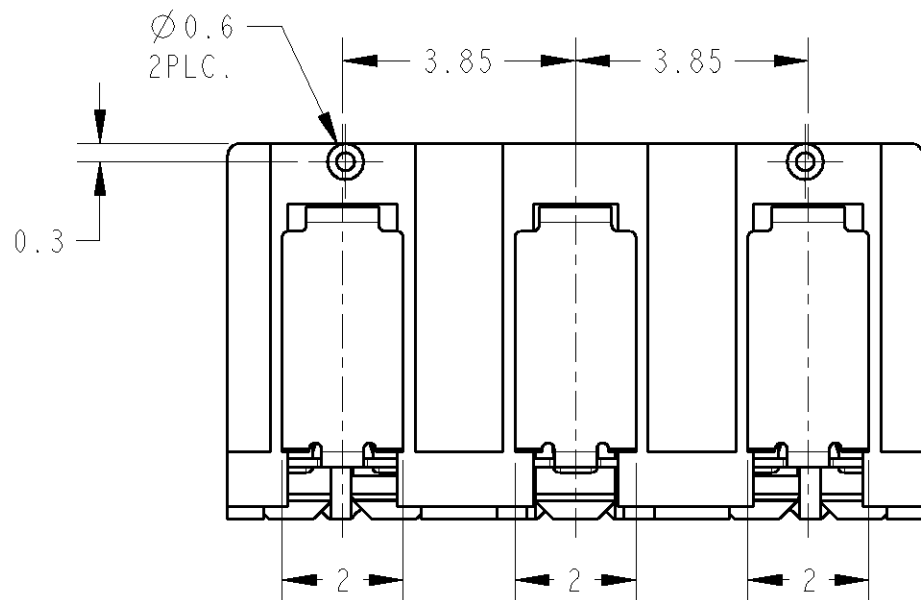
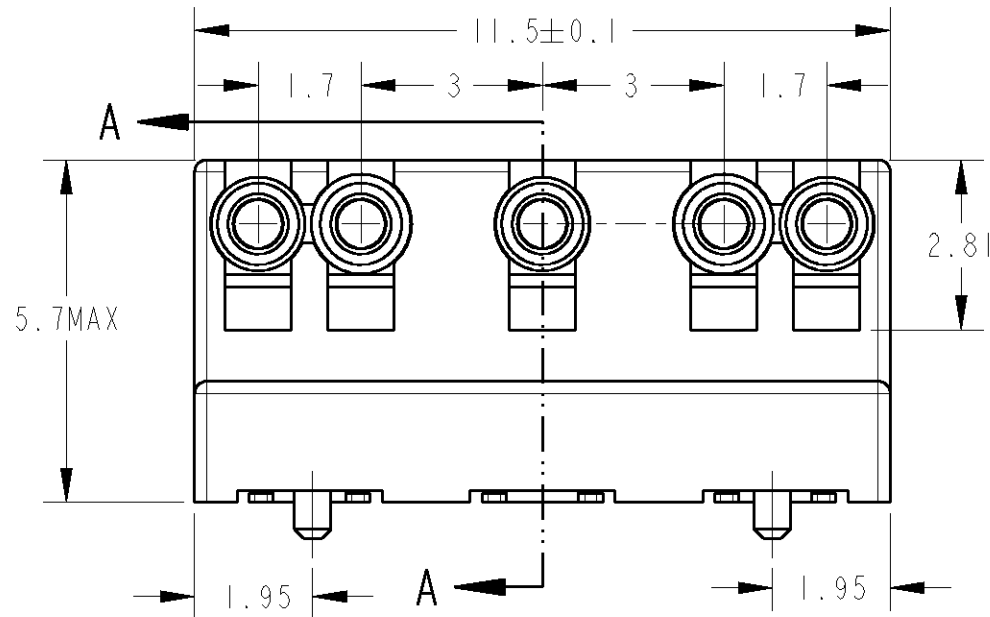
1 DEFLECTION OF PIN
 NORMAL POSITION; ± 0.15
 WORKING POSITION; ± 0.1



2 COPLANARITY; 0.1MAX.



SECTION A-A
 SCALE 16:1



THIS DRAWING IS A CONTROLLED DOCUMENT FOR TYCO ELECTRONICS CORPORATION IT IS SUBJECT TO CHANGE AND THE CONTROLLING ENGINEERING ORGANIZATION SHOULD BE CONTACTED FOR THE LATEST REVISION.		DWN C.OHASHI 05MAR2003	Tyco Electronics Tyco Electronics AMP K.K. Kawasaki, Japan	
DIMENSIONS: 単位: 英 mm	TOLERANCES UNLESS OTHERWISE SPECIFIED: 一般公差 ±0.15 0-PLC ± 1-PLC ±0.5 2-PLC ±0.13 3-PLC ±0.013 4-PLC ±0.001 ANGLES ±	CHK K.IKEGAMI 05MAR2003	NAME 名称	
		APVD K.KODAIRA 05MAR2003	SPRING PROBE CONNECTOR RIGHT ANGLE TYPE ASSY 5P	
MATERIAL 材料	FINISH 仕上	PRODUCT SPEC 108-5885	SIZE A3	CAGE CODE 00779
		APPLICATION SPEC 取付適用規格	DRAWING NO 番号 C=1717017	RESTRICTED TO
CUSTOMER DRAWING		WEIGHT 0.571g	SCALE 尺度	SHEET 1 OF 3
				REV D

THIS DRAWING IS UNPUBLISHED.

RELEASED FOR PUBLICATION

2003

© COPYRIGHT 2003

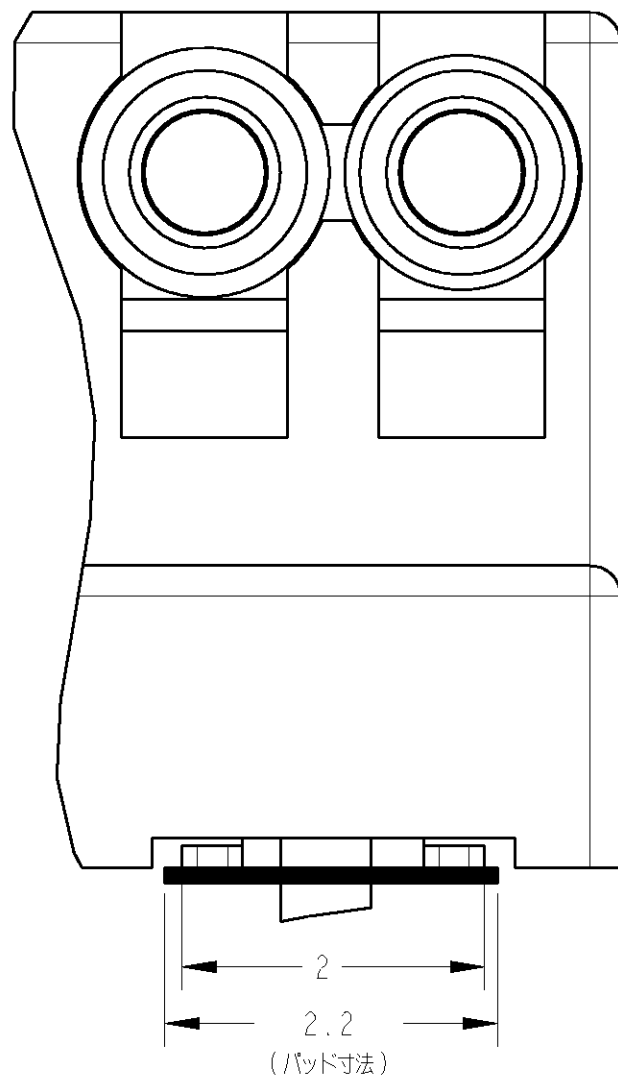
BY TYCO ELECTRONICS CORPORATION. ALL RIGHTS RESERVED.

LOC	DIST	REVISIONS					
		P	LTR	DESCRIPTION	DATE	DWN	APVD
J	-	-	-	SEE SHEET 1	-	-	-

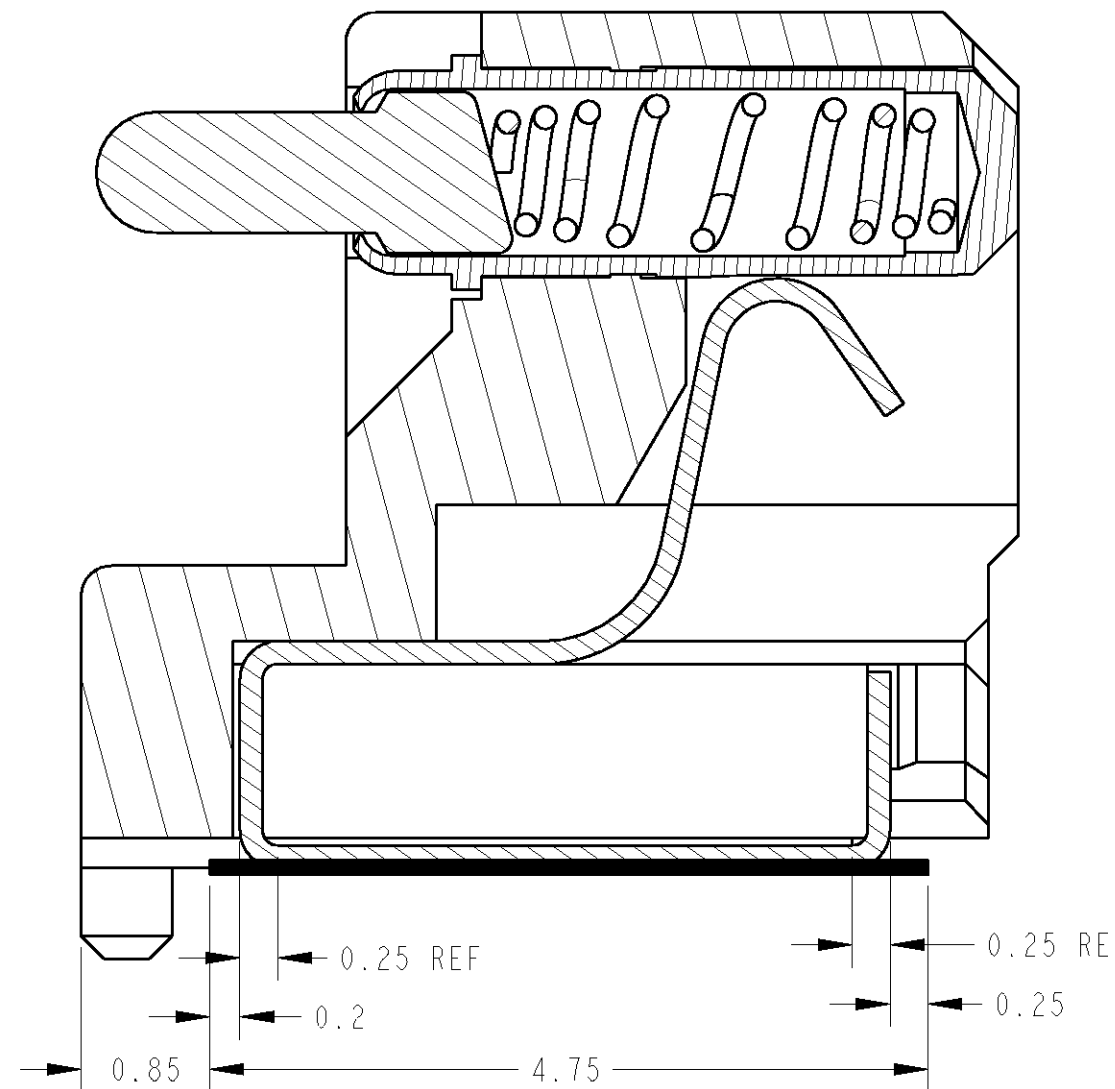
本図面に記載された内容はタイコ エレクトロニクス アンプ(株)の所有する情報を開示しております。

無断で複写・配布する事を禁じます。 特許出願中

- | ; 本図
- | ; AS SHOWN



SCALE 20:1

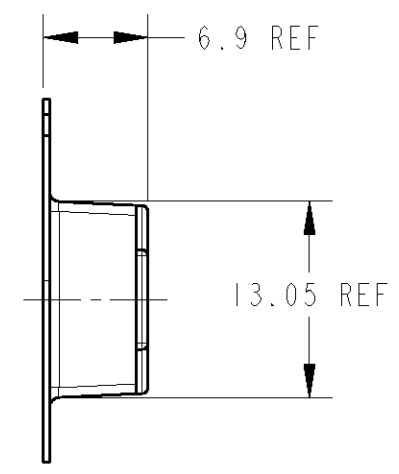
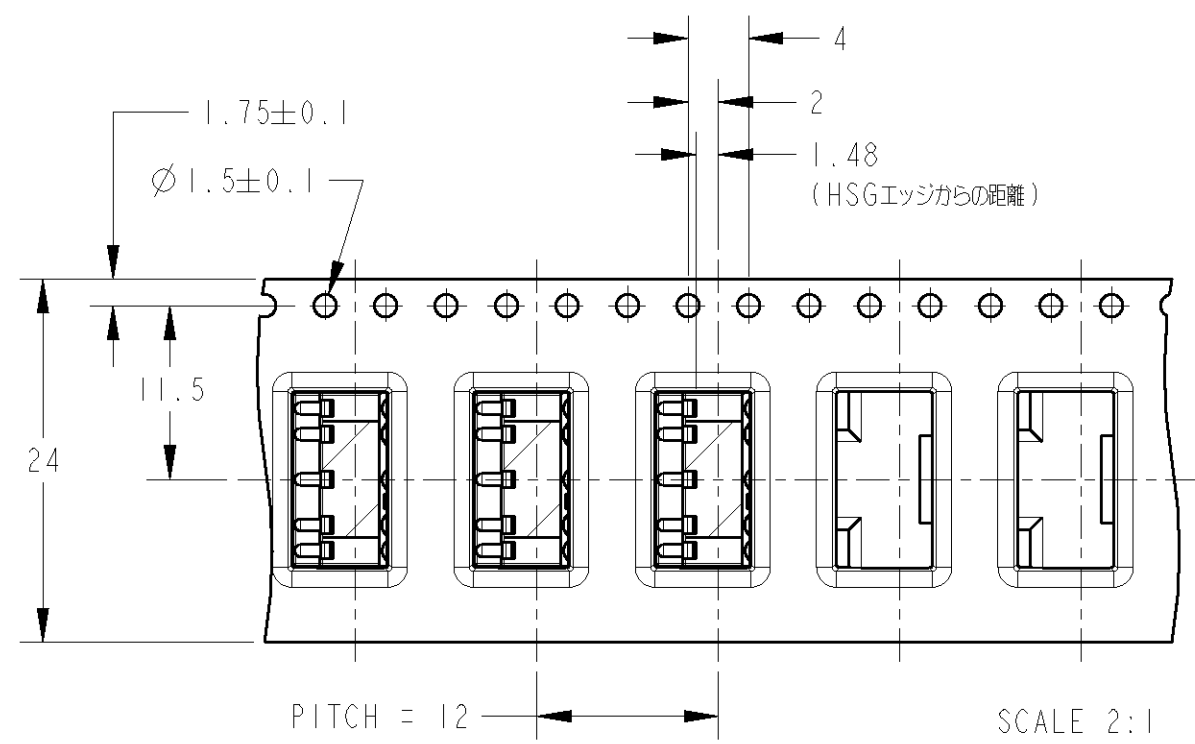


SECTION A-A

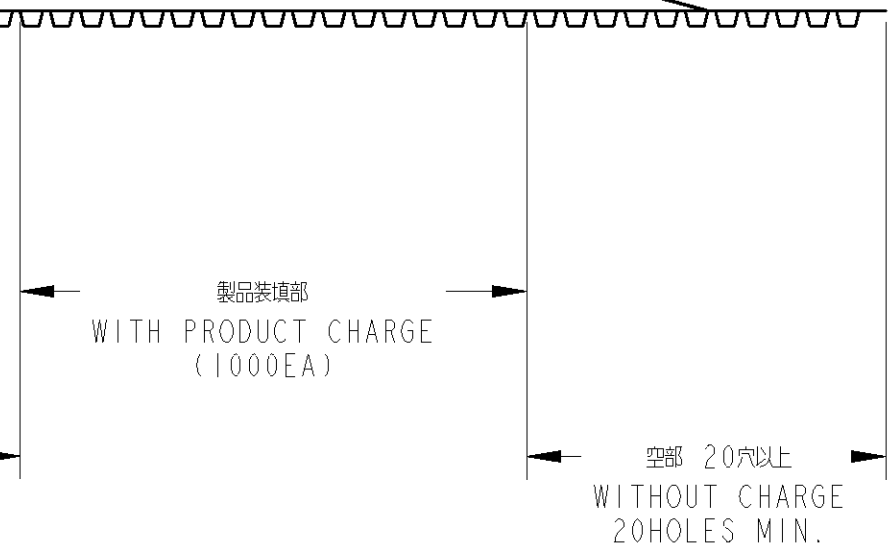
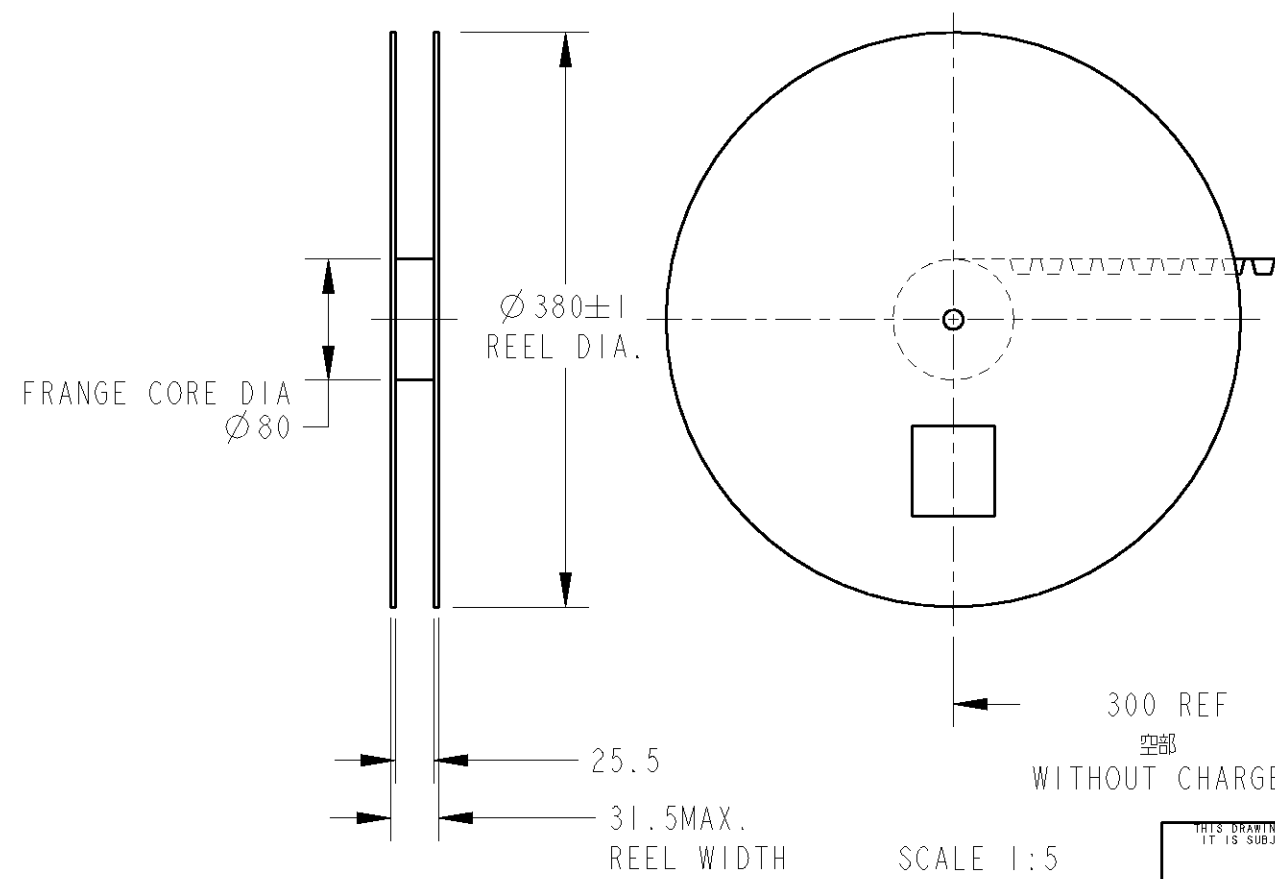
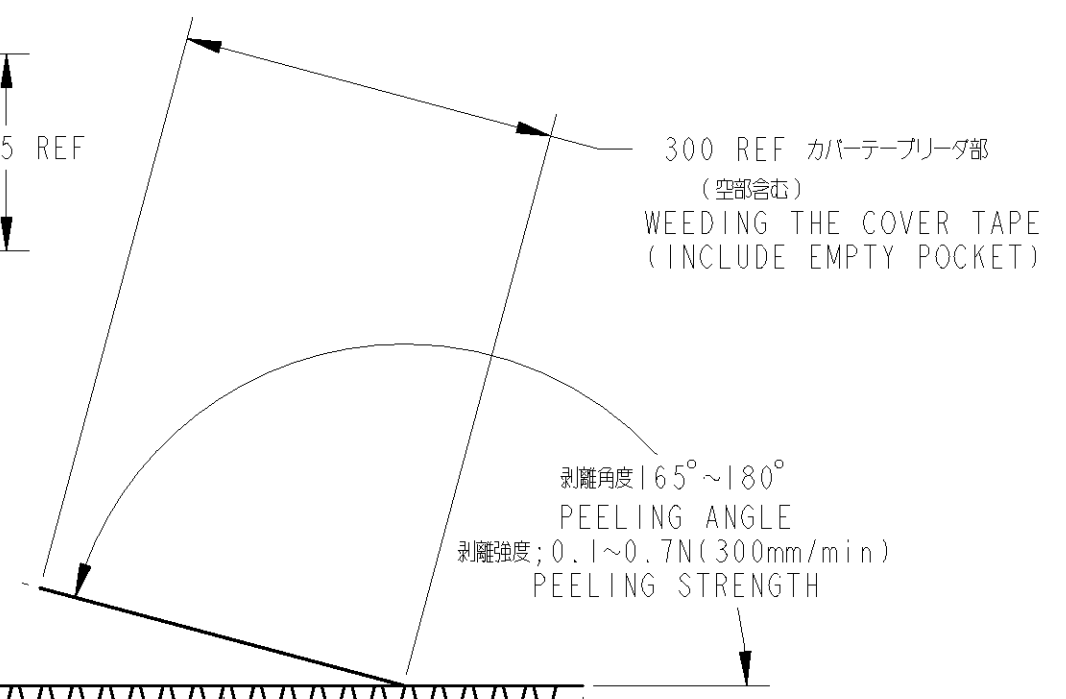
<small>THIS DRAWING IS A CONTROLLED DOCUMENT FOR TYCO ELECTRONICS CORPORATION IT IS SUBJECT TO CHANGE AND THE CONTROLLING ENGINEERING ORGANIZATION SHOULD BE CONTACTED FOR THE LATEST REVISION.</small>		DWN C. OHASHI 05MAR2003	Tyco Electronics AMP K.K. Kawasaki, Japan			
DIMENSIONS: 単位: 珪 mm	TOLERANCES UNLESS OTHERWISE SPECIFIED: 一般公差 ±0.15 0-PLC ± 1-PLC ±0.5 2-PLC ±0.13 3-PLC ±0.013 4-PLC ±0.0001 ANGLES ±	CHK K. IKEGAMI 05MAR2003	NAME 名称 SPRING PROBE CONNECTOR RIGHT ANGLE TYPE ASSY 5P			
		APVD K. KODAIRA 05MAR2003				
	FINISH 仕上	PRODUCT SPEC 製品規格 108-5885	SIZE A3	CAGE CODE 00779	DRAWING NO 番号 C=1717017	RESTRICTED TO
		MATERIAL 材料	WEIGHT 0.571g	CUSTOMER DRAWING		SCALE 尺度

THIS DRAWING IS UNPUBLISHED. RELEASED FOR PUBLICATION 2003
 © COPYRIGHT 2003 BY TYCO ELECTRONICS CORPORATION. ALL RIGHTS RESERVED.

LOC	DIST	REVISIONS					
		P	LTR	DESCRIPTION	DATE	DWN	APVD
J	-	-	-	SEE SHEET 1	-	-	-



- | ; 本図
 - | ; AS SHOWN



THIS DRAWING IS A CONTROLLED DOCUMENT FOR TYCO ELECTRONICS CORPORATION IT IS SUBJECT TO CHANGE AND THE CONTROLLING ENGINEERING ORGANIZATION SHOULD BE CONTACTED FOR THE LATEST REVISION.		DWN 05MAR2003 C.OHASHI CHK 05MAR2003 K.IKEGAMI APVD 05MAR2003 K.KODAIRA		Tyco Electronics Tyco Electronics AMP K.K. Kawasaki, Japan	
DIMENSIONS: 単位: 概 mm		TOLERANCES UNLESS OTHERWISE SPECIFIED: 一般公差 ±0.15 0-PLC ± 1-PLC ±0.5 2-PLC ±0.13 3-PLC ±0.013 4-PLC ±0.0001 ANGLES ±		NAME 名称 SPRING PROBE CONNECTOR RIGHT ANGLE TYPE ASSY 5P	
MATERIAL 材料 -		FINISH 仕上 -		PRODUCT SPEC 製品規格 108-5885 APPLICATION SPEC 取付適用規格 -	
		WEIGHT 0.571g		SIZE A3 CAGE CODE 00779 DRAWING NO 番号 C=1717017	
CUSTOMER DRAWING				RESTRICTED TO -	
				SCALE 尺度 -	
				SHEET 3 OF 3	
				REV D	