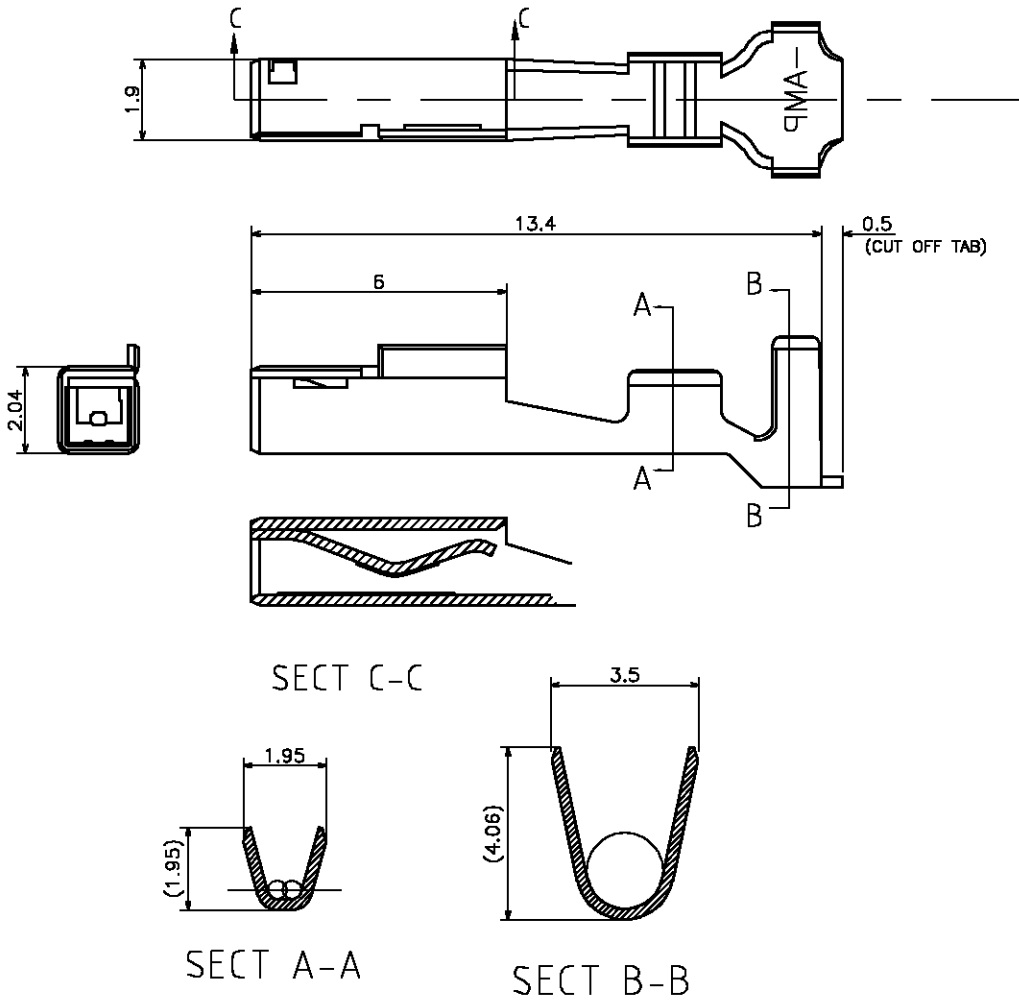


LOC	DIST	REVISONS 変更					
J	—	P	LTR	DESCRIPTION	DATE	DWN	APVD
			0	RELEASED	FJD0-0194-03	25JUN.'03	A.O M.S



注)
 1.一般公差 : ± 0.25
 2.材料 : 錫めっき済 銅合金

NOTES)
 1.GENERAL TOLERANCE: ±0.25
 2.MATERIAL:PRE-TIN COPPER ALLOY

1717407-1
PART NUMBER

WIRE RANGE 包合電線断面積 0.13-0.34mm ² (AWG#22-26)	INSULATION DIA 覆層外径 ø1.3-2.0mm
---	--------------------------------------

DIMENSIONS: 単位: 寸 MM	DWN A.OISHI 25JUN.'03
TOLERANCES UNLESS OTHERWISE SPECIFIED: 一般公差	CHK M.SHINDO 25JUN.'03
0 PLC ± -	APVD M.SHINDO 25JUN.'03
1 PLC ± -	PRODUCT SPEC 製品規格 108-5810
2 PLC ± -	APPLICATION SPEC 取付適用規格 114-5306
3 PLC ± -	WEIGHT -
4 PLC ± -	CUSTOMER DRAWING
ANGLES ± -	

MATERIAL 材料 SEE NOTE	FINISH 仕上 SEE NOTE
Tyco Electronics AMP K.K. Kawasaki, Japan	
NAME 名称 GRACE INERTIA CONNECTOR 3.5 REC CONTACT(M) LOOSE PIECE	
SIZE A4	CAGE CODE 00779
DRAWING NO 番号 C=1717407	RESTRICTED TO -
SCALE 尺度 6:1	SHEET 1 OF 1
REV 0	

THIS DRAWING IS UNPUBLISHED. BY TYCO ELECTRONICS CORPORATION. ALL RIGHTS RESERVED.