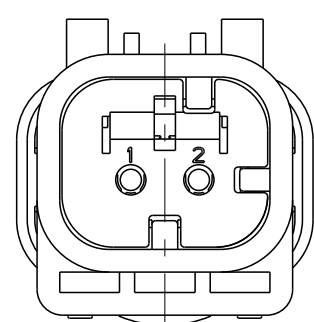
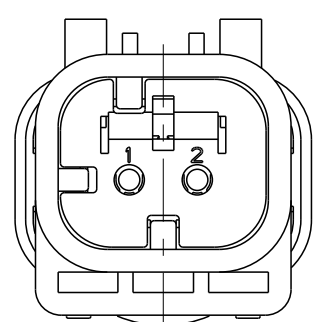


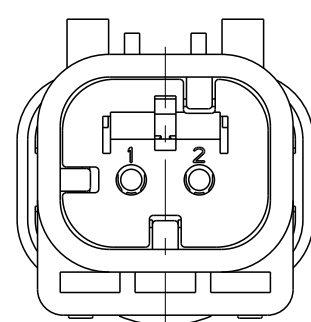
REVISIONS				
P	LTR	DESCRIPTION	DATE	APVD
B	I	REVISED PER ECR-10-019377	30SEP2010	HMR TM
C		REVISED PER ECR-14-000206	26DEC2013	PV RB
C	I	REVISED PER ECR-24-201925	05MAR2024	HY TK



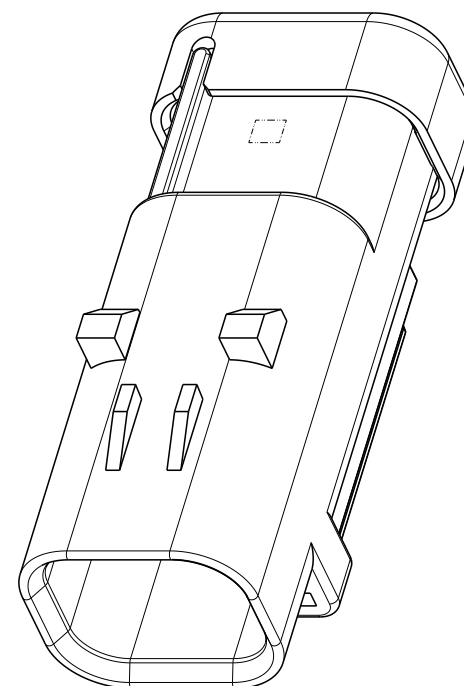
1717672-2
SCALE 2:1



1717672-3
SCALE 2:1

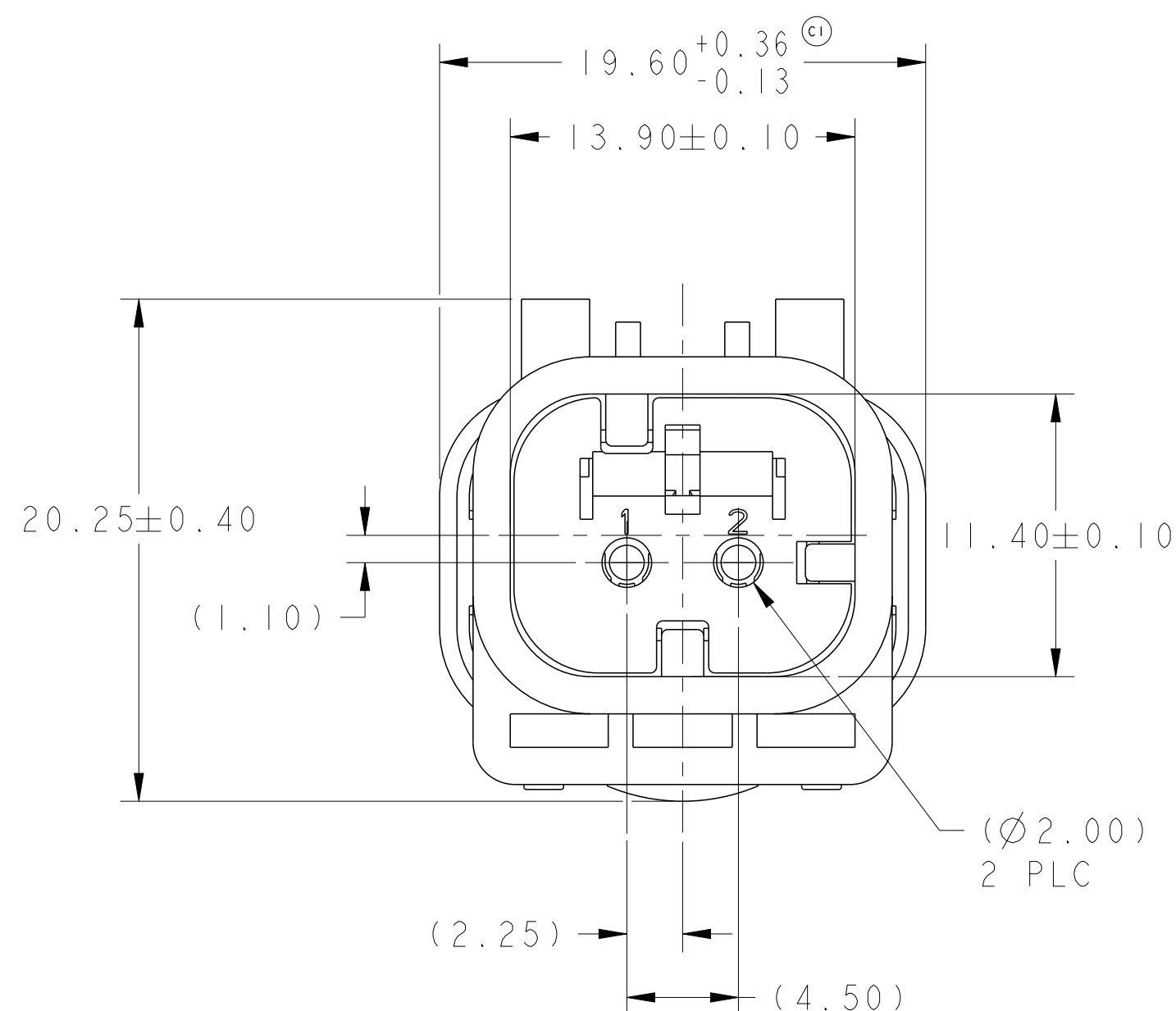


1717672-4
SCALE 2:1

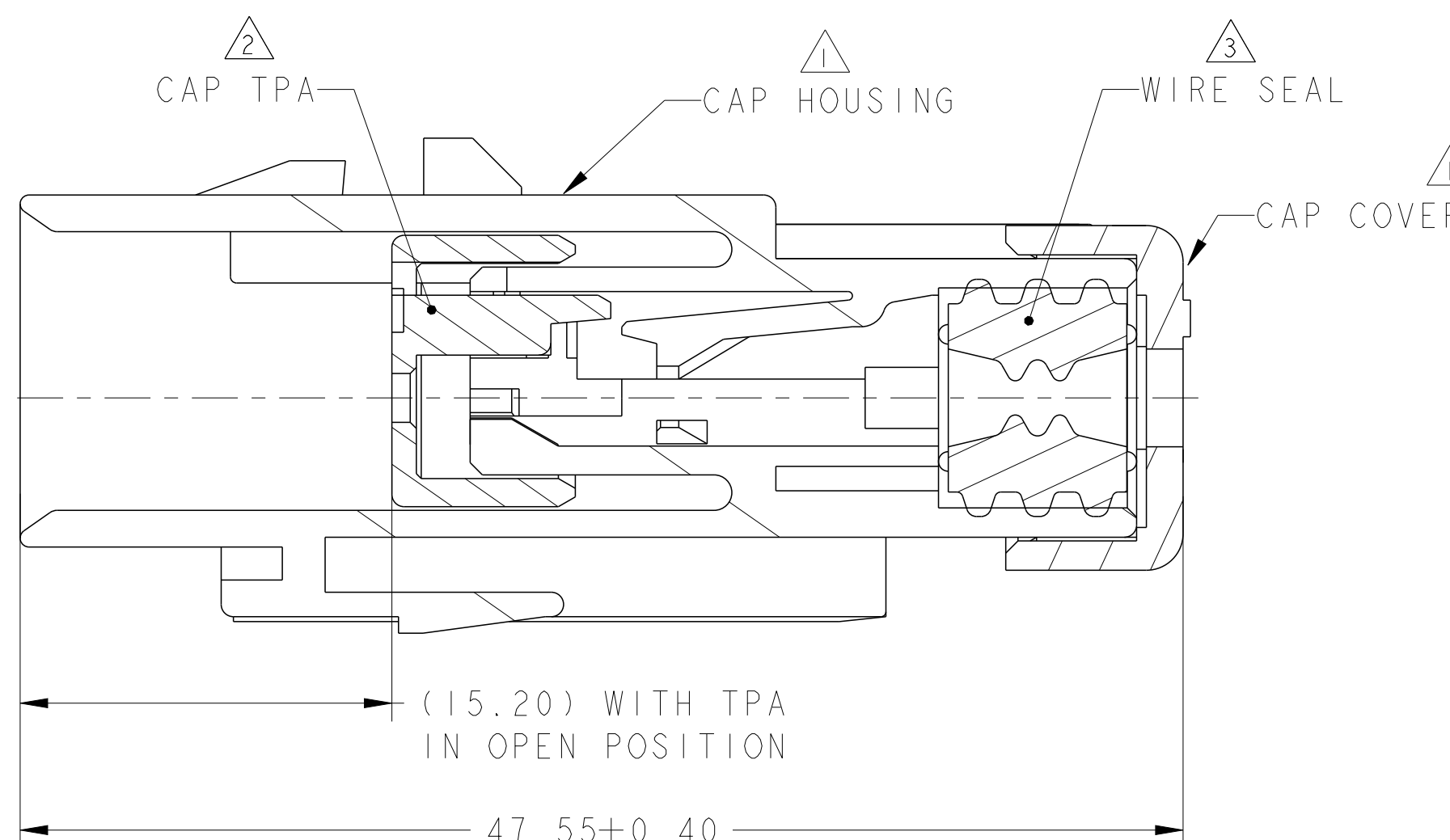


SCALE 2:1

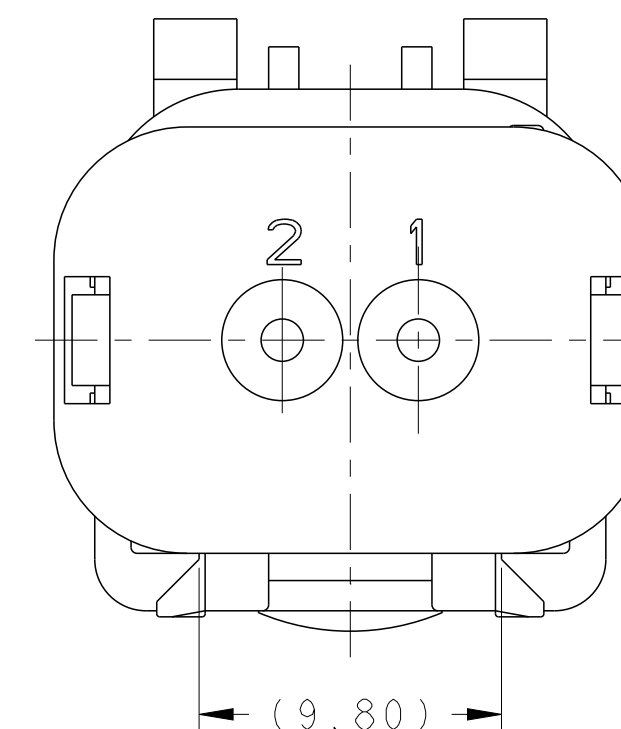
- ① MATERIAL: 15% GLASS FILLED THERMOPLASTIC
COLOR: BLACK
 - ② MATERIAL: 15% GLASS FILLED THERMOPLASTIC
COLOR: (SEE TABLE)
 - ③ MATERIAL: SILICONE
COLOR: MARINE BLUE
4. WIRE INSULATION RANGE: $\varnothing 2.24 \sim \varnothing 3.94$



1717672-1 SHOWN



A-A
OPEN POSITION



GREEN	1717672-4
YELLOW	1717672-3
GRAY	1717672-2
RED	1717672-1
TPA COLOR	PART NUMBER

THIS DRAWING IS A CONTROLLED DOCUMENT.		DWN Y. KATO	15JAN2004	STE TE Connectivity	
DIMENSIONS: mm		CHK S. MANABE	15JAN2004		
TOLERANCES UNLESS OTHERWISE SPECIFIED:		APVD S. MANABE	15JAN2004	NAME CAP ASSY, 2 POS. BRACKET REVERSE TYPE AMPSEAL 16	
0 PLC ±		PRODUCT SPEC		SIZE A2	
1 PLC ±		APPLICATION SPEC		CAGE CODE -	
2 PLC ±		108-2184		DRAWING NO C-1717672	
3 PLC ±		114-13065		RESTRICTED TO -	
4 PLC ±		WEIGHT -		SCALE 4:1	
ANGLES ±		CUSTOMER DRAWING		SHEET OF	
FINISH		SCALE 4:1		REV C I	