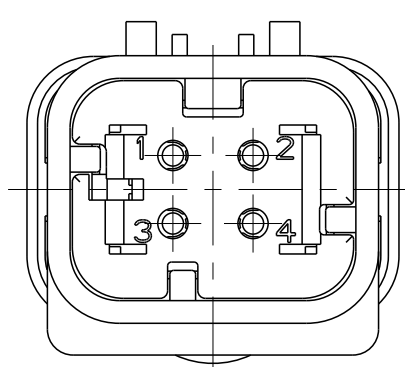
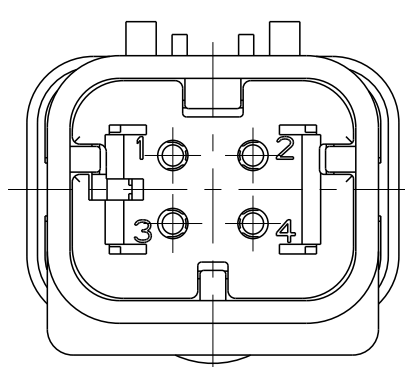


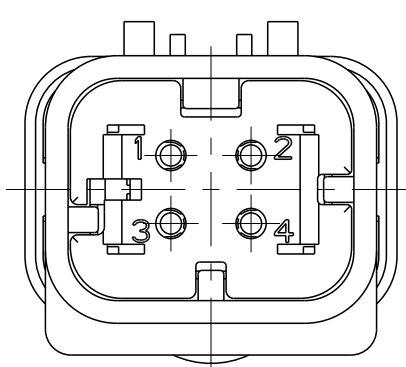
REVISIONS				
P	LTR	DESCRIPTION	DATE	APVD
C		REVISED PER ECR-10-020319	13OCT2010	HMR TM
D		REVISED PER ECR-14-000206	26DEC2013	PV RB
DI		REVISED PER ECR-24-201925	05MAR2024	HY TK



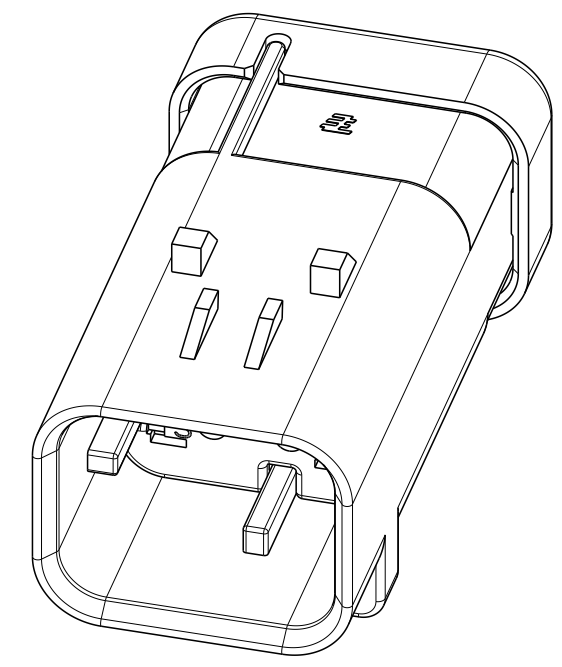
1717674-2
SCALE 2:1



1717674-3
SCALE 2:1



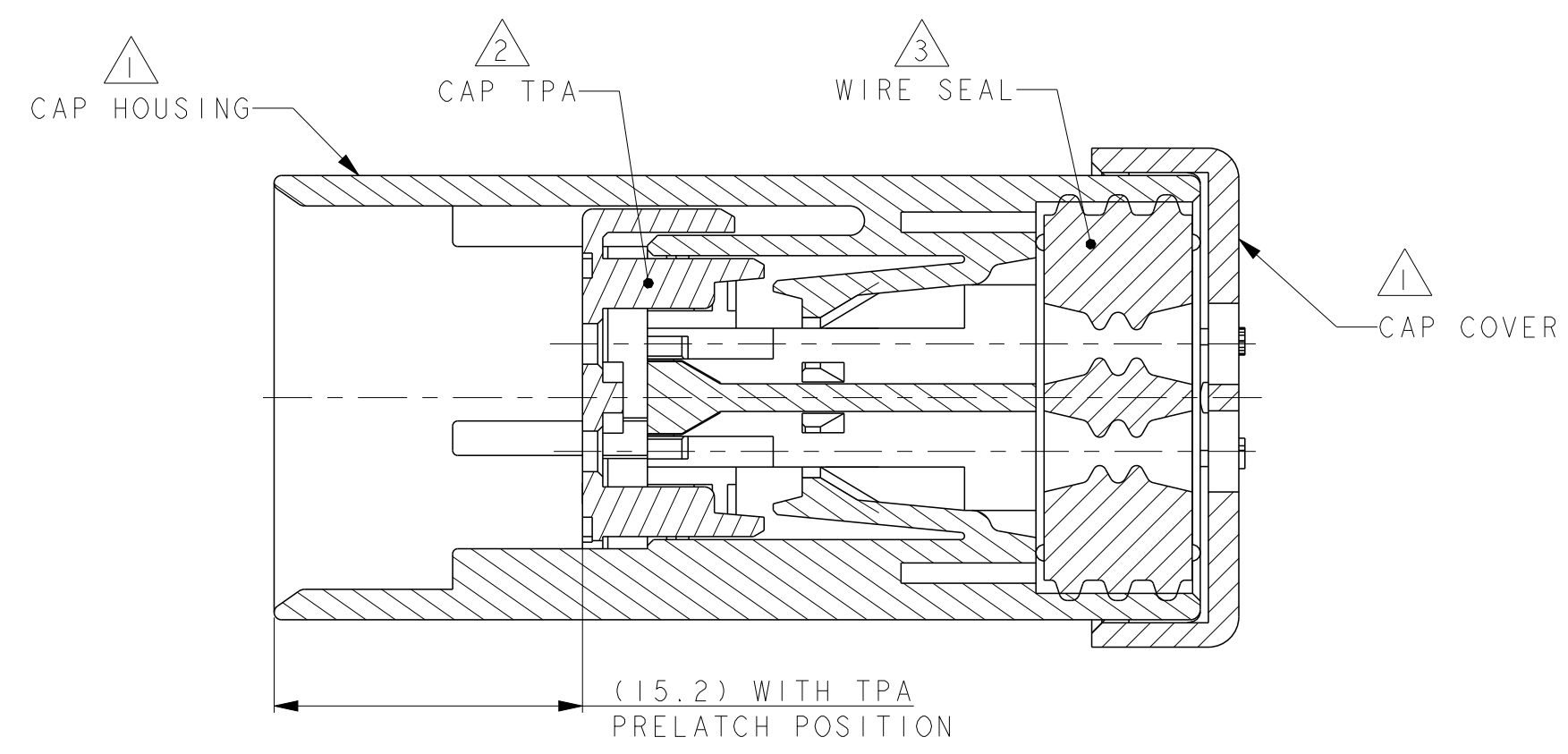
1717674-4
SCALE 2:1



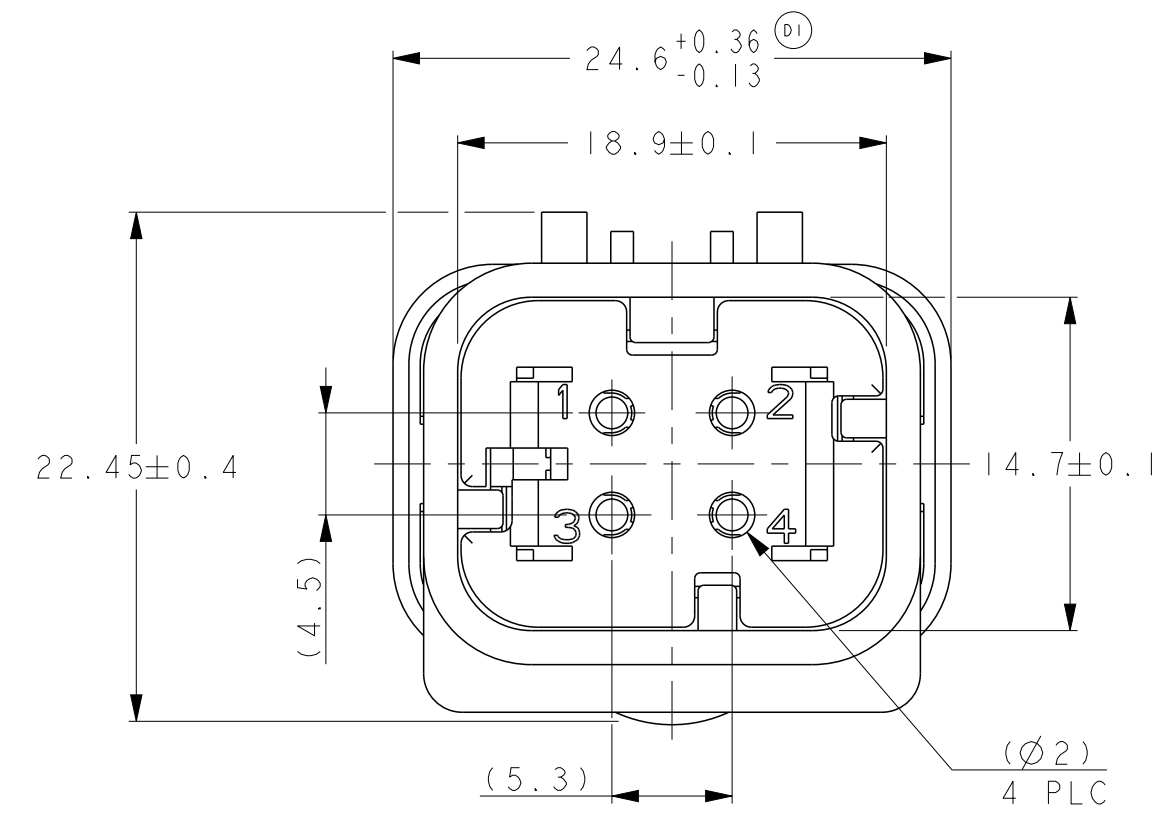
SCALE 2:1

- 1 MATERIAL: 15% GLASS FILLED THERMOPLASTIC
COLOR: BLACK
- 2 MATERIAL: 15% GLASS FILLED THERMOPLASTIC
COLOR: (SEE TABLE)
- 3 MATERIAL: SILICONE
COLOR: GREEN

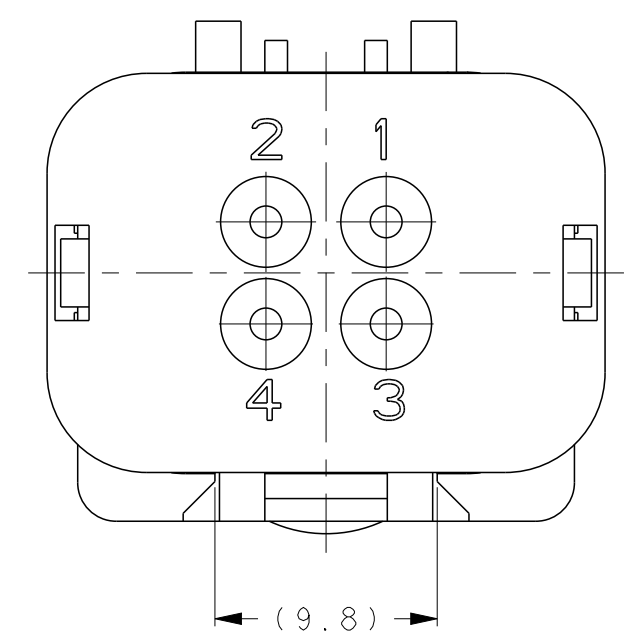
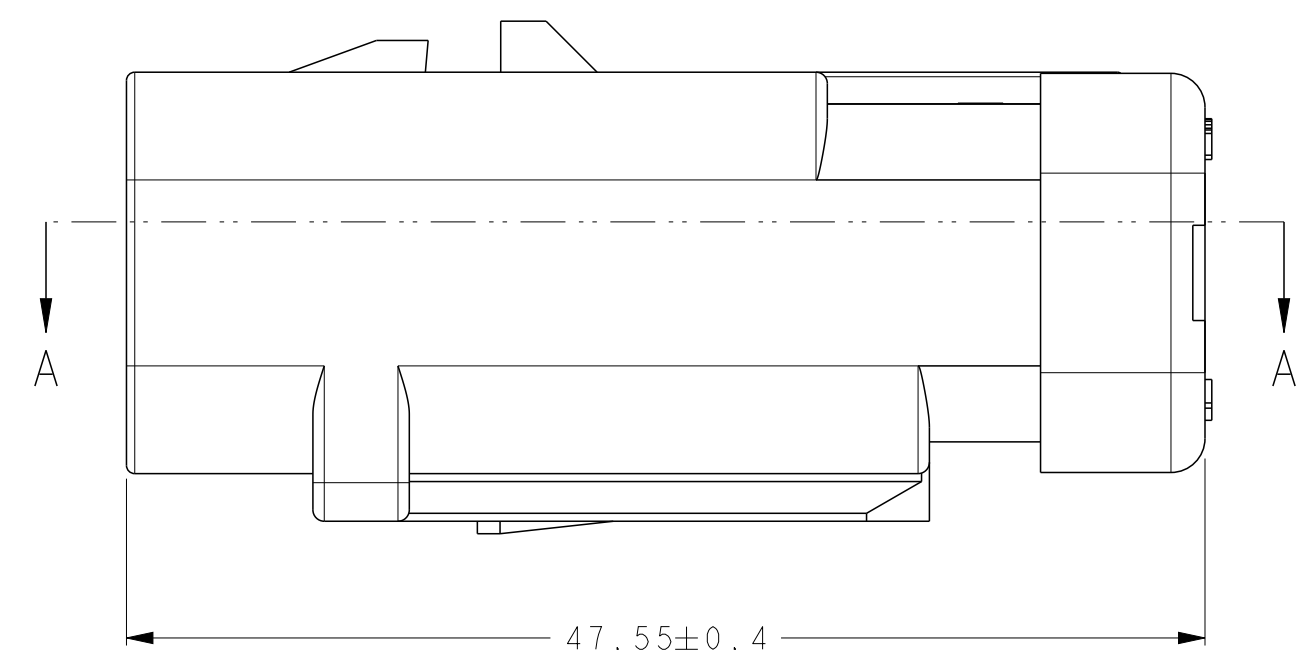
4. WIRE INSULATION RANGE: $\varnothing 2.24 \sim \varnothing 3.94$



A - A
OPEN POSITION



1717674-1 SHOWN



GREEN	1717674-4
YELLOW	1717674-3
GRAY	1717674-2
RED	1717674-1
TPA COLOR	PART NUMBER

THIS DRAWING IS A CONTROLLED DOCUMENT.		DWN Y. KATO 15JAN2004	TE Connectivity
DIMENSIONS: mm		CHK S. MANABE 15JAN2004	
TOLERANCES UNLESS OTHERWISE SPECIFIED:		APVD S. MANABE 15JAN2004	
0 PLC ± 1 PLC ± 2 PLC ± 3 PLC ± 4 PLC ± ANGLES ± FINISH -		PRODUCT SPEC 108-2184 APPLICATION SPEC 114-13065 WEIGHT -	
MATERIAL		CUSTOMER DRAWING	NAME CAP ASSY, 4 POS. BRACKET REVERSE TYPE AMP SEAL 16 SIZE CAGE CODE DRAWING NO RESTRICTED TO A20779 C-1717674 SCALE 3:1 SHEET 1 OF 1 REV DI