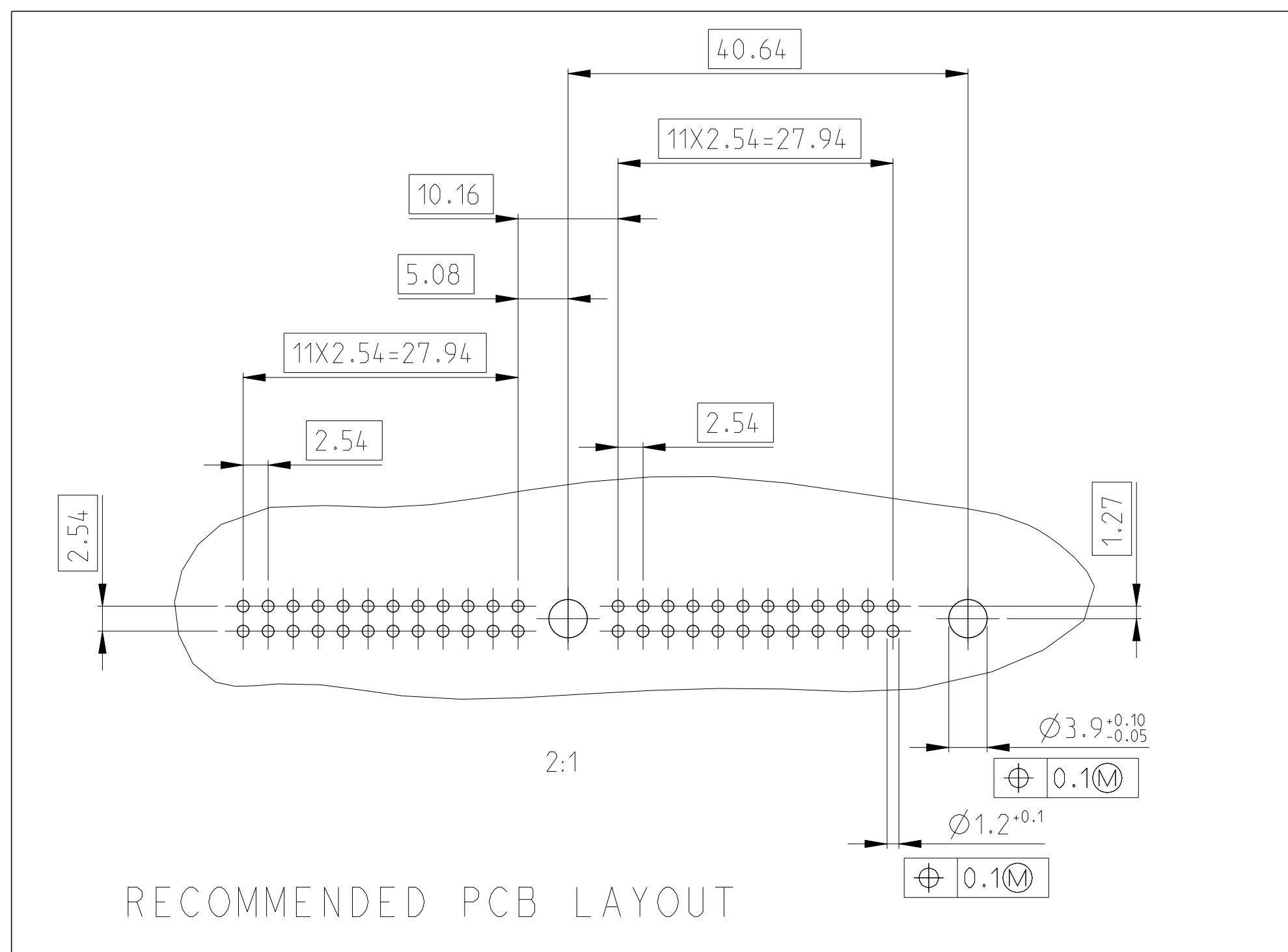
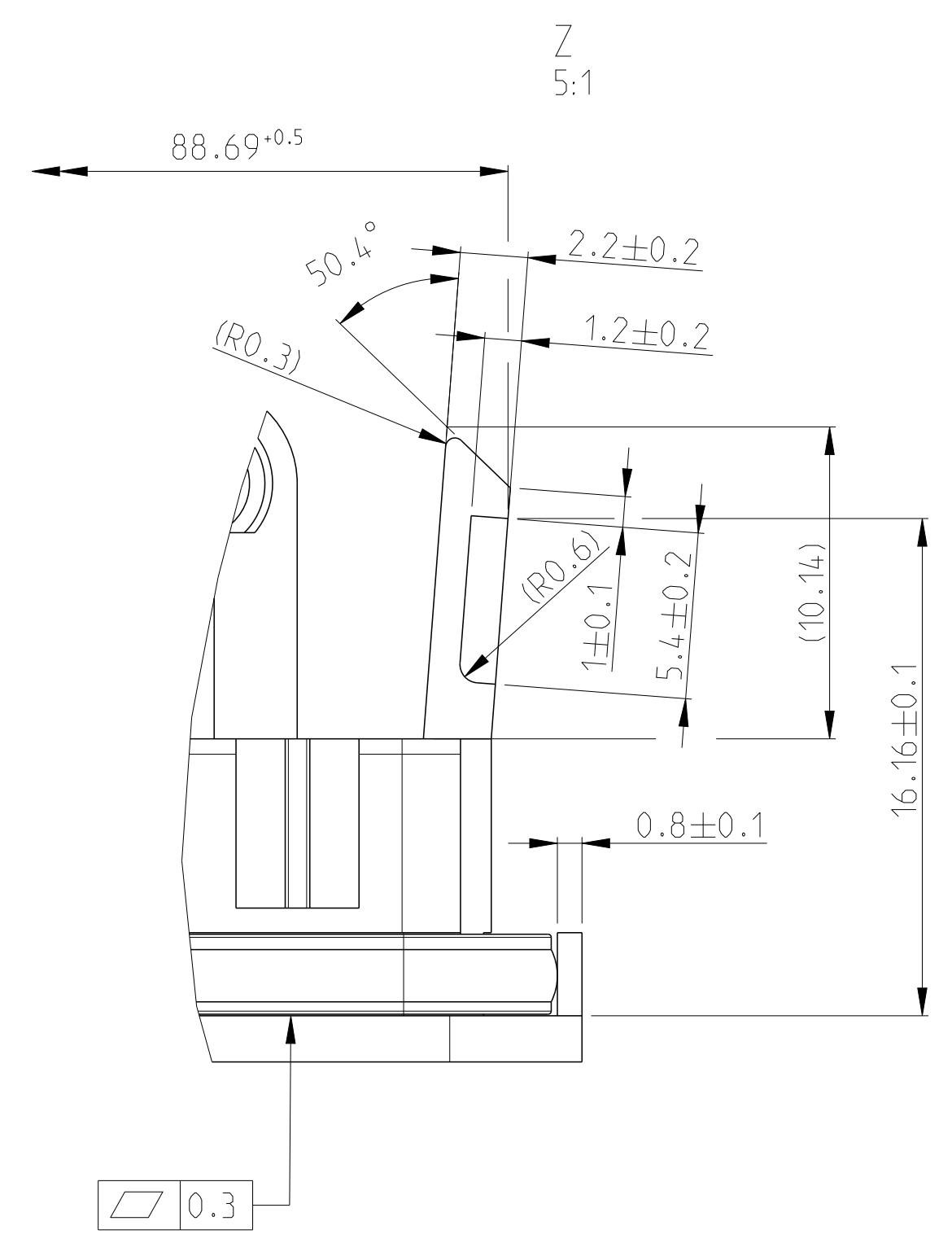
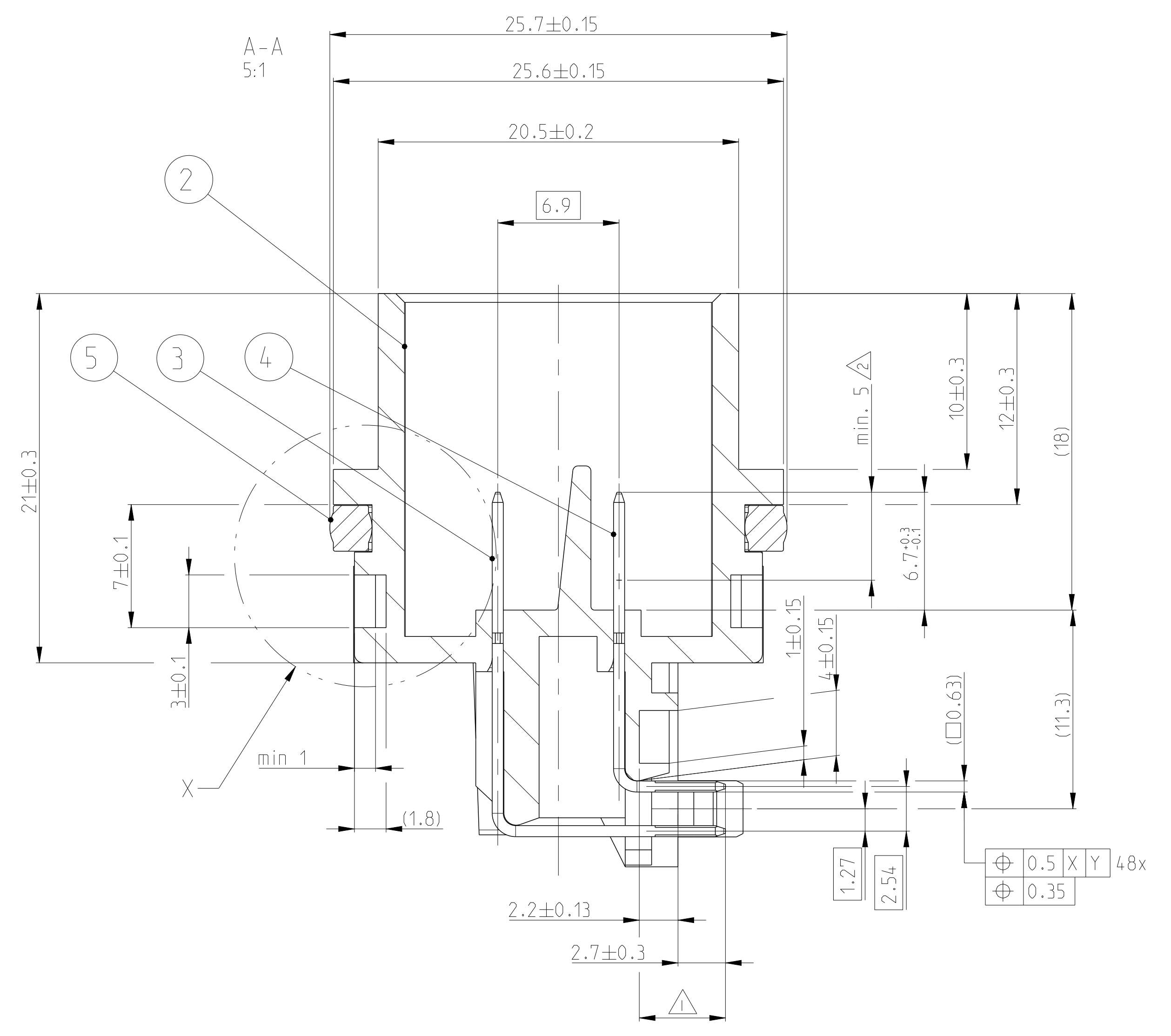
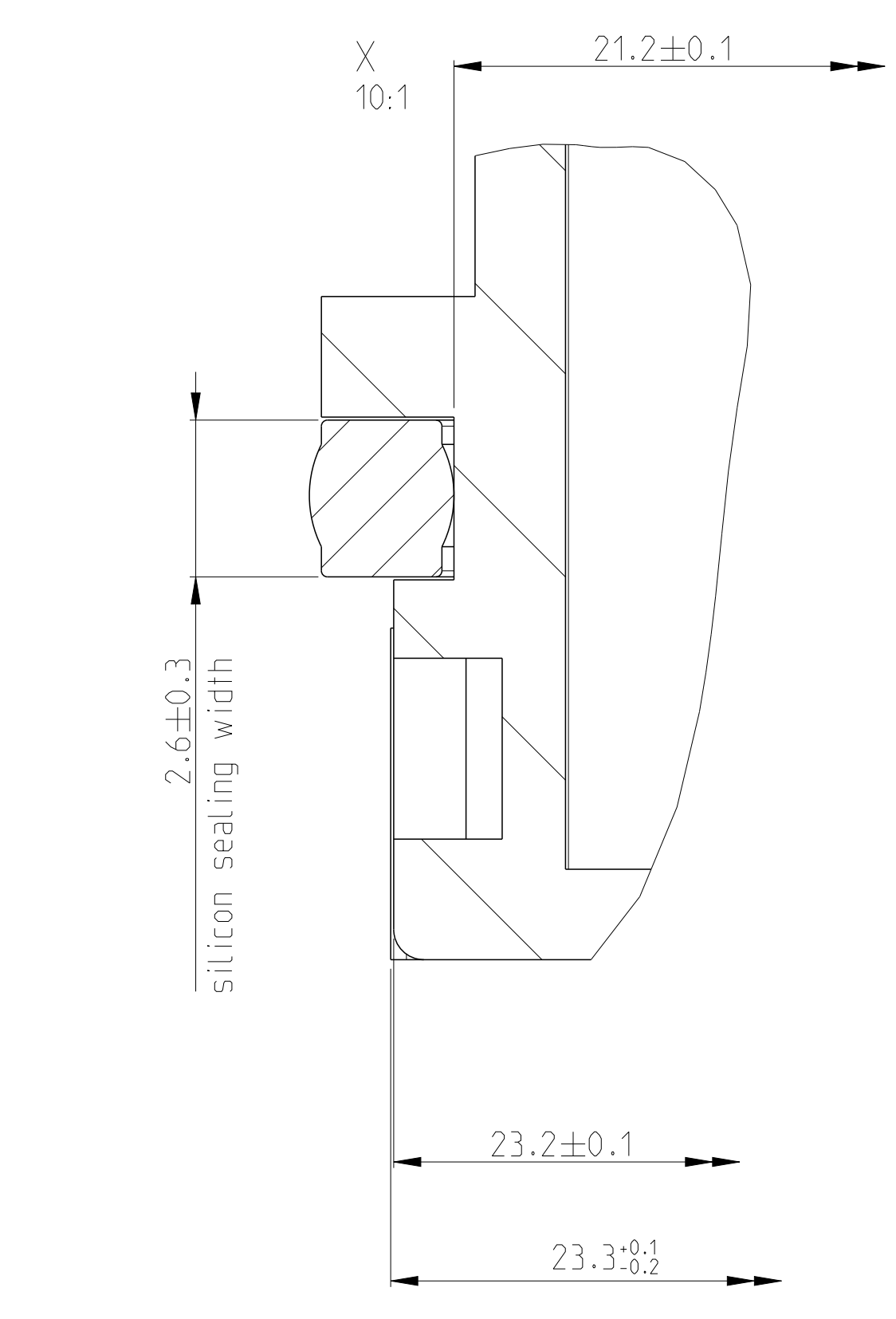
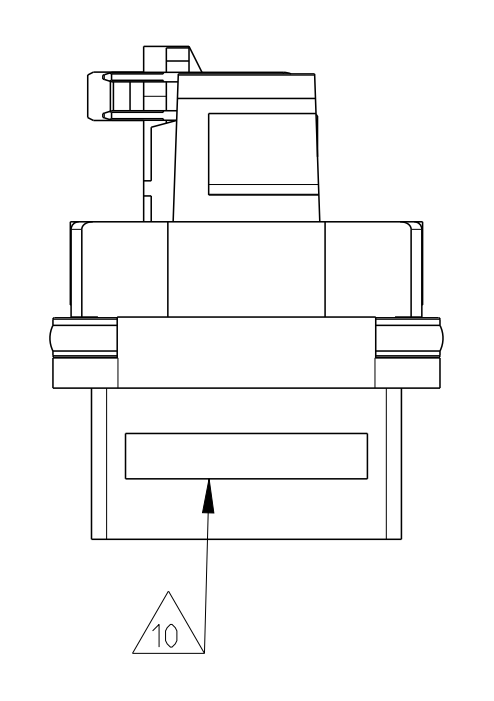
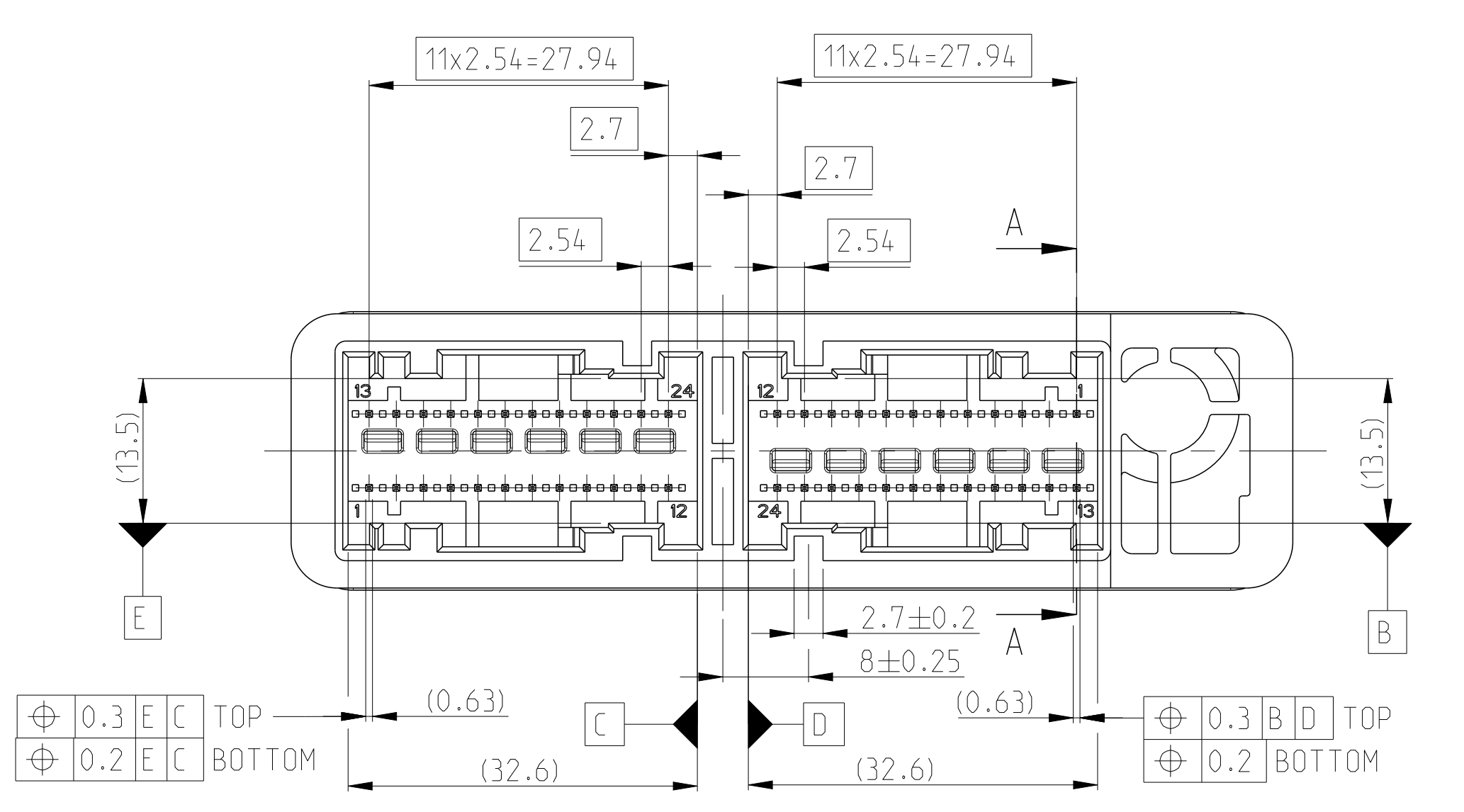
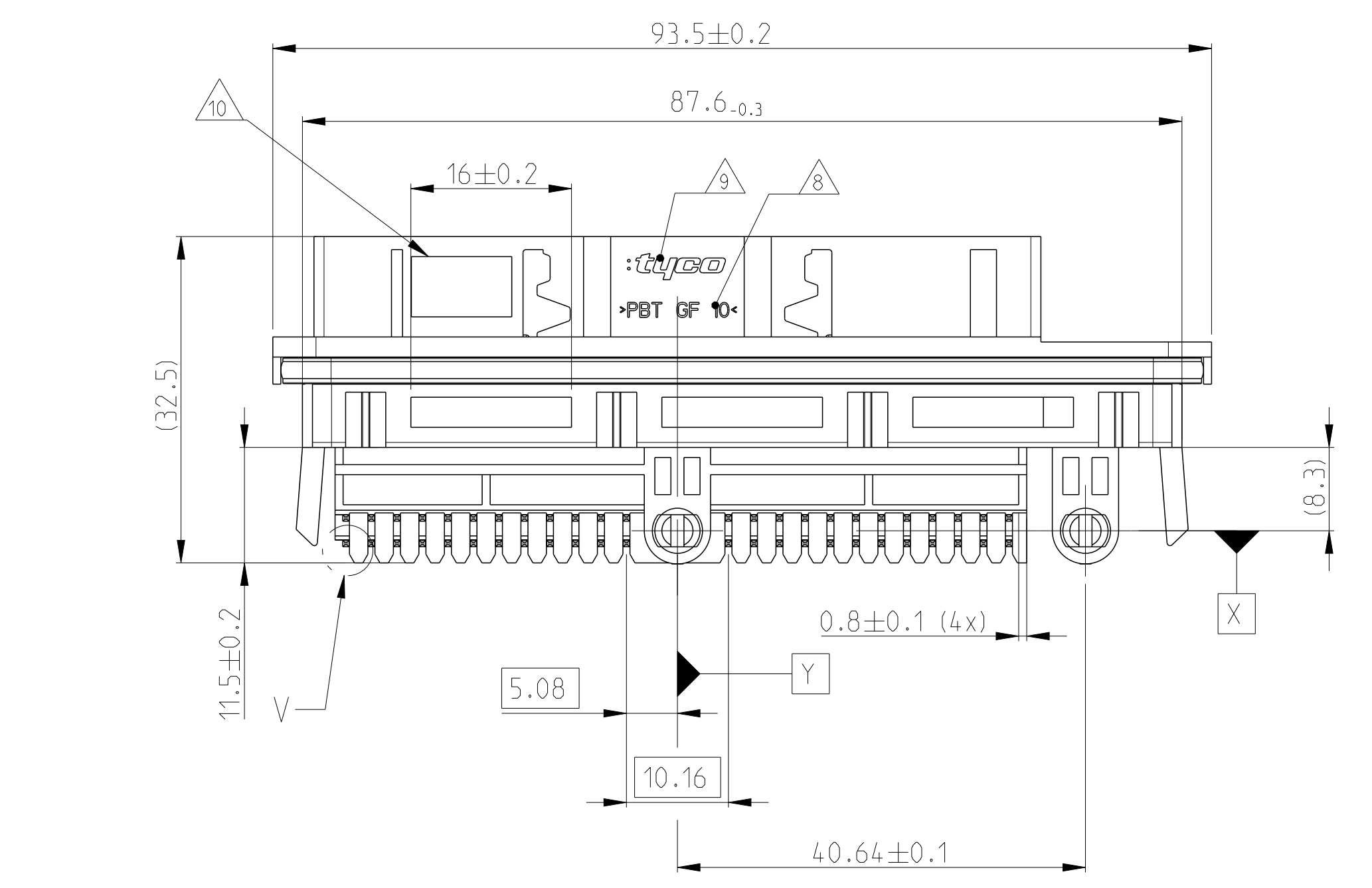
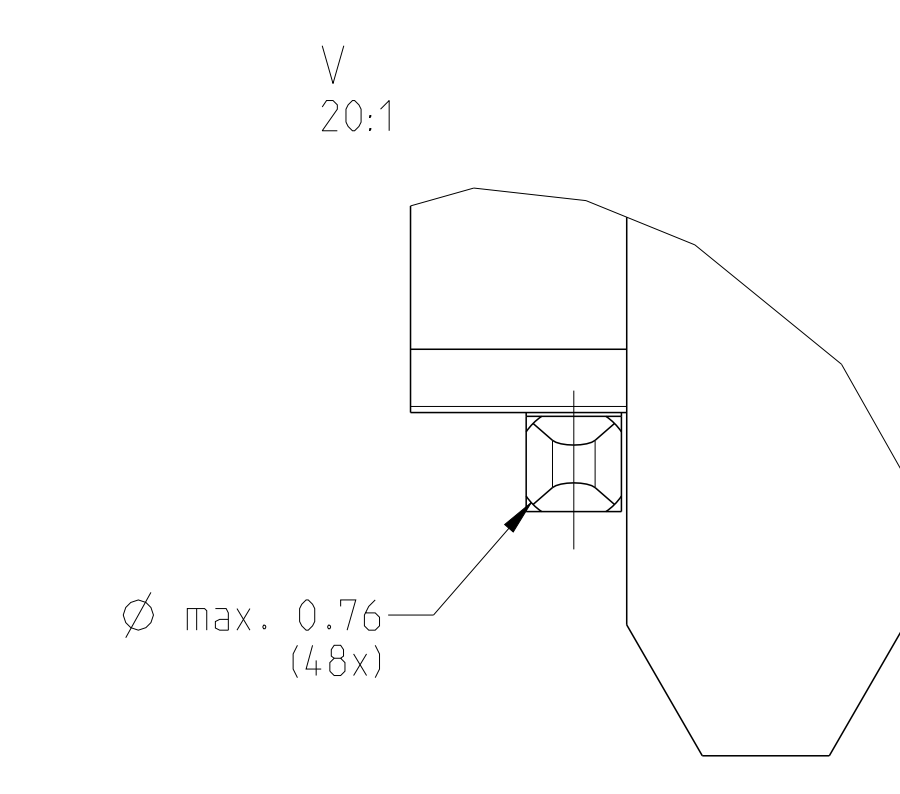
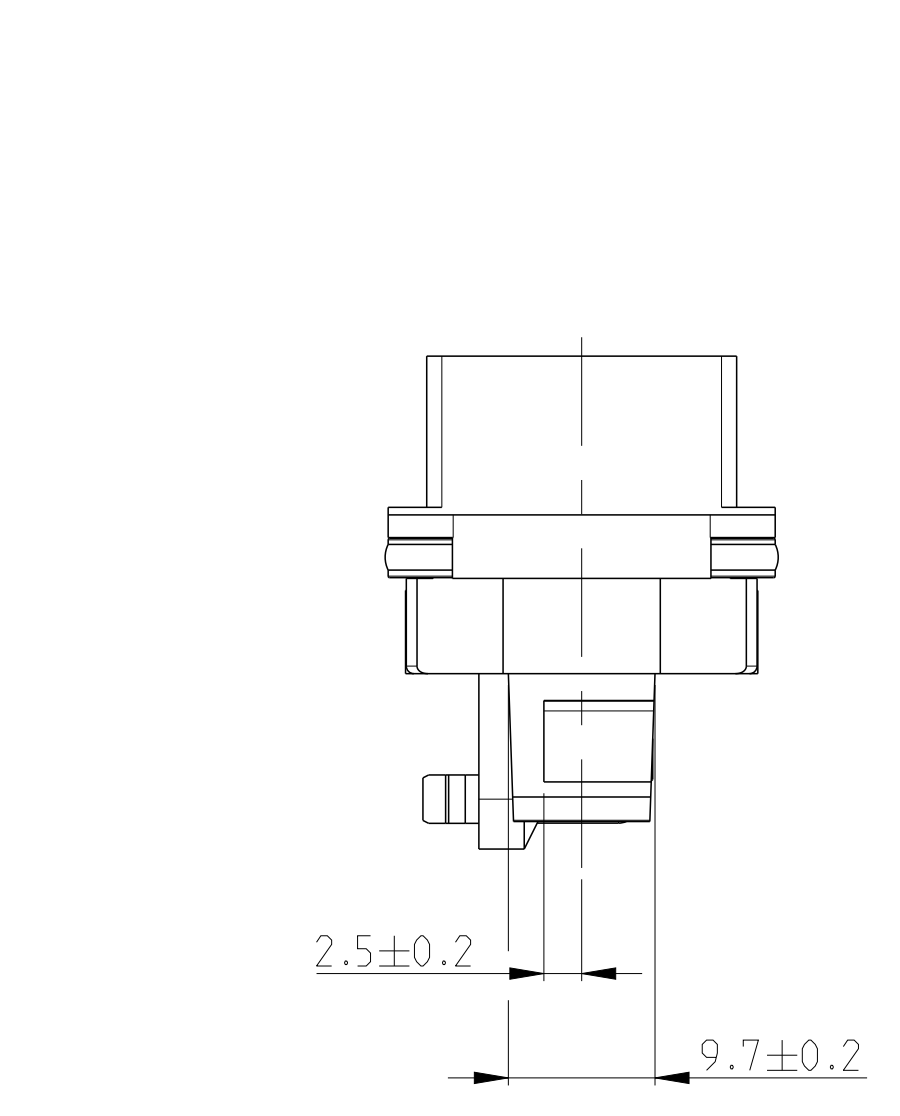
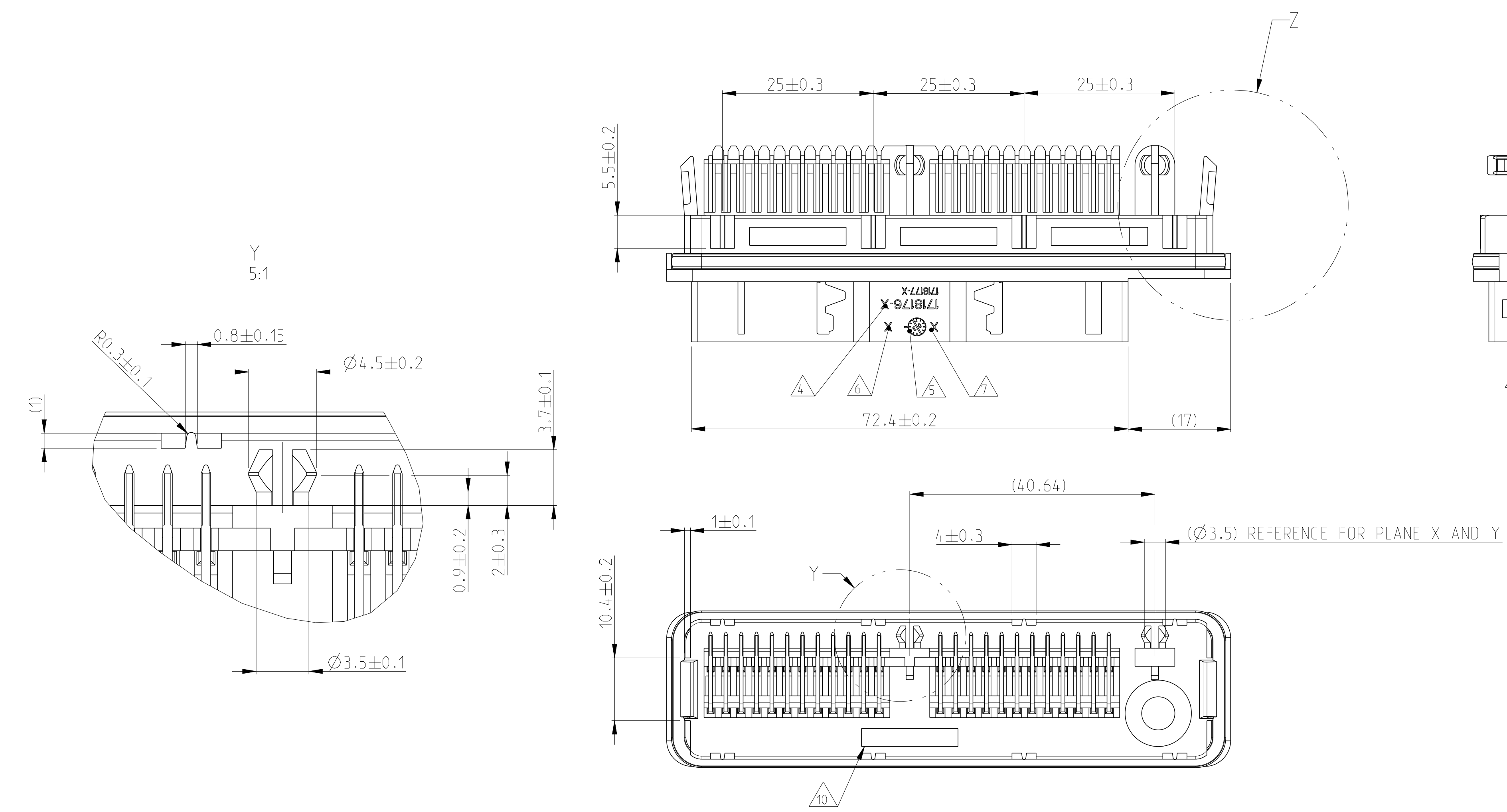


REV	DATE	DESCRIPTION	BY	CHK	APPD
C1	20MAY2011	ECR-11-009834	MM	BF	
C2	18AUG2011	ECR-11-014866	ST	MM	
C4	04APR2019	ECR-19-005205	SK	KK	



- NOTES:
- 1 TIN PLATED 2.5µm MIN OVER NICKEL
 - 2 GOLD PLATED 0.4 µm MIN OVER NICKEL 1 µm MIN
 - 3 CONTACTS : BRONZE (Cu56)
 - 4 ASSY PART NUMBER : X-1718176-X , X ACCORDING TO CODING
 - 5 HOUSING DATE CODE
 - 6 CAVITY NUMBER
 - 7 REVISION STATUS OF THE HOUSING
 - 8 MATERIAL REFERENCE : PBT GF 10
 - 9 TE LOGO
 - 10 ASSY DATE CODE: DD M Y (IN 3 POSSIBLE AREA)
 - 11 MATERIAL FOR SEALING : SILICON 50±5 SHORE A
 - 12 LEAD FREE PRODUCTION

THIS DRAWING IS A CONTROLLED DOCUMENT.		DATE: 27NOV2003	BY: M. Manzel	TE Connectivity
DIMENSIONS: DIM1		DATE: 25JUN2009	BY: S. Eibartling	
MATERIAL: -		DATE: 06JUL2009	BY: S. Beck	
FINISH: -		DATE: -	BY: -	
CUSTOMER DRAWING		SCALE: 5:1	SHEET: 1 of 2	REV: C4

