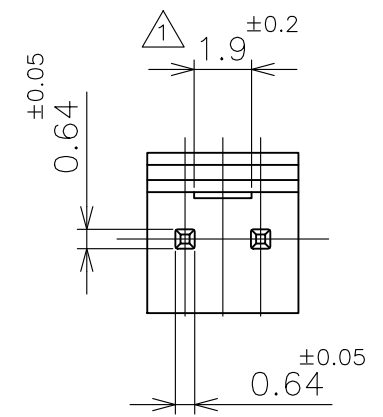
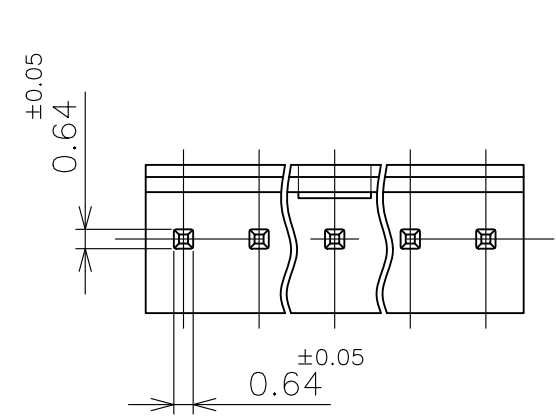
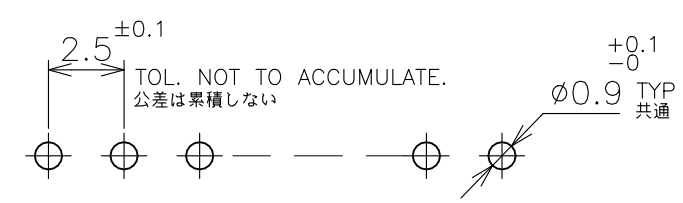
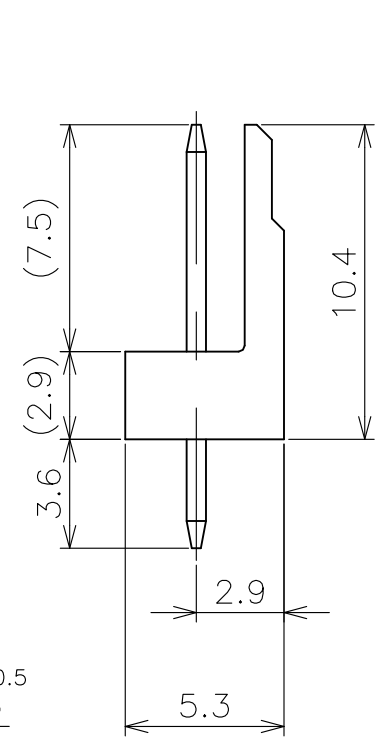
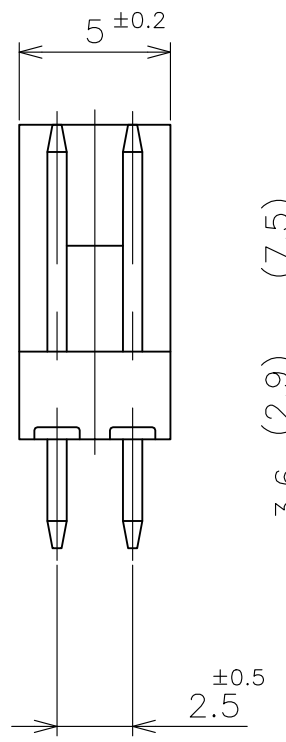
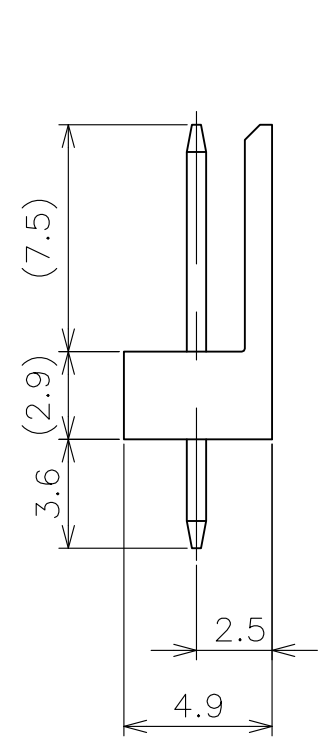
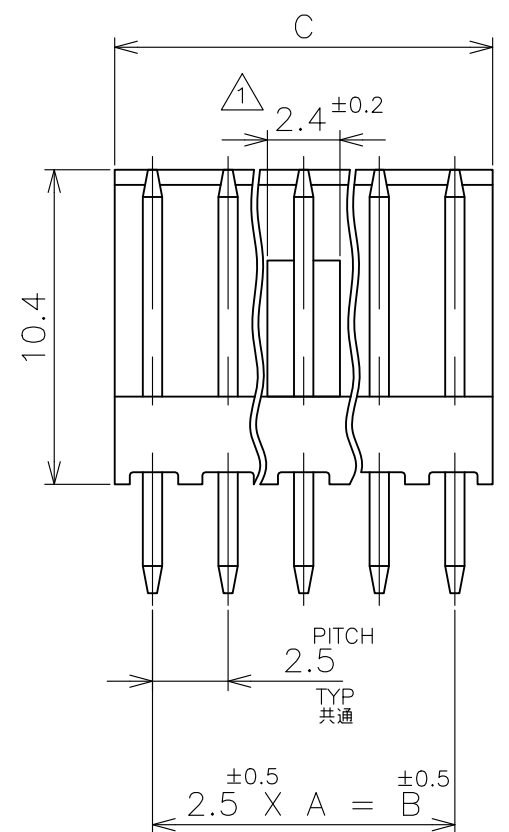


REVISIONS 変更					
P	LTR	DESCRIPTION	DATE	DWN	APVD
	Y4	REVISED (ECR-22-158621)	30MAR2023	C.K	H.L



① LOCKING HOLE IS PLACED ON THE CENTER OF POST HEADER.
 ② OBSOLETE 11POS,13POS,15POS PARTS.
 OBSOLETE RED AND GREEN COLOR PARTS.



RECOMMENDED BOARD LAYOUT (1.6 THK)
 取付基板寸法(基板厚 1.6t)

OBSOLETE PN:4-171825-6.

37.5	35.0	14	15	9	171825-5	7	171825-5	5	171825-5	3	171825-5	1	171825-5
32.5	30.0	12	13	9	▲	3	7	▲	3	5	▲	3	3
27.5	25.0	10	11	9	-	1	7	-	1	5	-	1	3
30.0	27.5	11	12	9	-	2	7	-	2	5	-	2	3
25.0	22.5	9	10	9	-	0	7	-	0	5	-	0	3
22.5	20.0	8	9	8	-	9	6	-	9	4	-	9	2
20.0	17.5	7	8	8	-	8	6	-	8	4	-	8	2
17.5	15.0	6	7	8	-	7	6	-	7	4	-	7	2
15.0	12.5	5	6	8	-	6	6	-	6	4	-	6	2
12.5	10.0	4	5	8	-	5	6	-	5	4	-	5	2
10.0	7.5	3	4	8	-	4	6	-	4	4	-	4	2
7.5	5.0	2	3	8	-	3	6	-	3	4	-	3	2
図示		—	2	8-171825-2	6-171825-2	4-171825-2	2-171825-2	171825-2					
±0.2 C	±0.5 B	A	NO OF POS 極数	RED 赤色	GREEN 緑色	BLUE 青色	BLACK 黒色	NATURAL 自然色		PART NUMBER 型番			

3~12 POS
極

2 POS
極

THIS DRAWING IS A CONTROLLED DOCUMENT.

DWN T.DOI	14MAY77	TE Connectivity POST HEADER ASSY (VERTICAL) AMP EI SERIES CONNECTOR	RESTRICTED TO
CHK H.TAGUCHI	14MAY77		
APVD H.TAGUCHI	14MAY77		
NAME H.TAGUCHI			
DIMENSIONS: 単位: 耗 mm	TOLERANCES UNLESS OTHERWISE SPECIFIED: 一般公差	PRODUCT SPEC 製品規格	
0 PLC ± 0.3	1 PLC ± 0.3	APPLICATION SPEC 取付適用規格	
2 PLC ± 0.3	3 PLC ± 0.3	WEIGHT 0.000000	
4 PLC ± 0.3	ANGLES ±	SIZE A3	
MATERIAL 材料 HSG : 66NYLON - UL94V-0 POST: BRASS	FINISH 仕上 TIN-PLATE 0.8um+ MIN. ALL OVER NICKEL 0.5um MIN. UNDERPLATED	CAGE CODE 00779	DRAWING NO C-171825
CUSTOMER DRAWING		SCALE 尺度 4:1	SHEET 1 OF 1
		REV Y4	