

THIS DRAWING IS UNPUBLISHED.

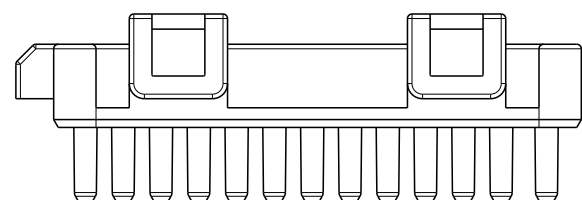
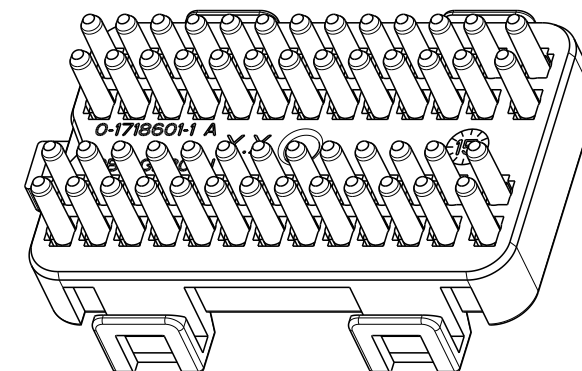
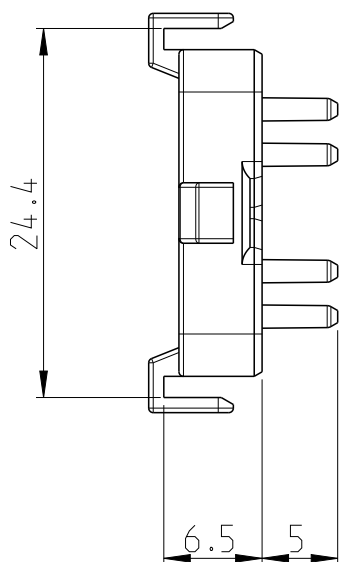
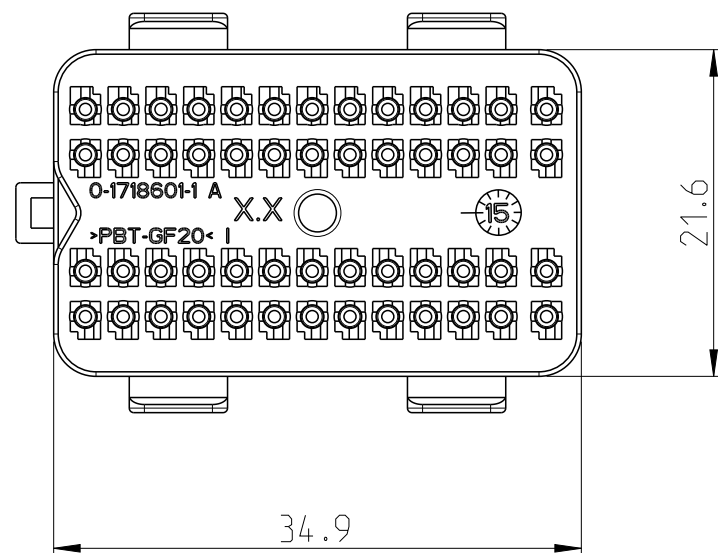
RELEASED FOR PUBLICATION

© COPYRIGHT copyright\_date BY -

ALL RIGHTS RESERVED.

REVISIONS

P	LTR	DESCRIPTION	DATE	DWN	APVD
	A	INITIAL RELEASE	11DEC2015	CS	HR



NOTES:  
Bemerkungen:

- 1 DELIVERY CONDITION: LOOSE PIECES  
Anlieferungszustand: Teile lose beigelegt

0-1718601-1	A	COVER FOR FAMILY SEAL 58-POS	PBT-GF20	4.49	BLACK
TE Connectivity PART-NO.	REV	DESCRIPTION	MATERIAL	WEIGHT [g]	SURFACE COLOUR

THIS DRAWING IS A CONTROLLED DOCUMENT.		DWN C.SCHAAD 11DEC2015												
DIMENSIONS: mm		CHK C.WEBER 11DEC2015												
TOLERANCES UNLESS OTHERWISE SPECIFIED:		APVD H.RIPPER 11DEC2015												
<table border="1"> <tr><td>0 PLC</td><td>±±0.3</td></tr> <tr><td>1 PLC</td><td>±±0.3</td></tr> <tr><td>2 PLC</td><td>±±0.3</td></tr> <tr><td>3 PLC</td><td>±-</td></tr> <tr><td>4 PLC</td><td>±-</td></tr> <tr><td>ANGLES</td><td>±1°</td></tr> </table>		0 PLC				±±0.3	1 PLC	±±0.3	2 PLC	±±0.3	3 PLC	±-	4 PLC	±-
0 PLC	±±0.3													
1 PLC	±±0.3													
2 PLC	±±0.3													
3 PLC	±-													
4 PLC	±-													
ANGLES	±1°													
MATERIAL		APPLICATION SPEC	NAME COVER FOR MATT SEAL FOR 58 POS. (6XMCP2.8MM / 52XTYCO 1.2MM)											
-		114-18698-1	SIZE A3	CAGE CODE -	DRAWING NO 0-1718601									
-		WEIGHT -	RESTRICTED TO -											
-		CUSTOMER DRAWING	SCALE 2:1	SHEET 1 OF 1	REV A									