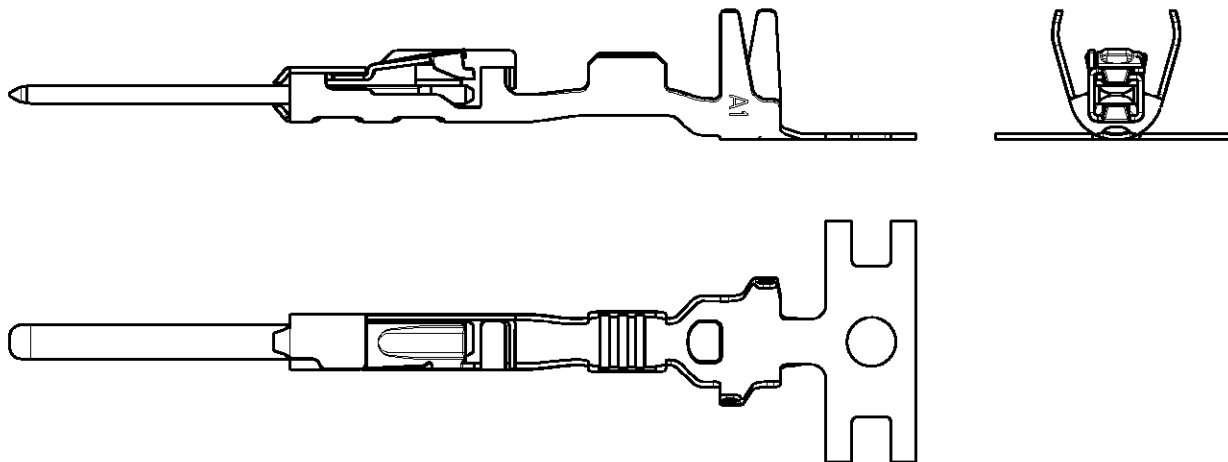


LOC	DIST	REVISIONS					
		P	LTR	DESCRIPTION	DATE	DWN	APVD
A1	-		A1	NEW DRAWING	27MAR07	R.M.	-




REFER TO PRODUCT GROUP DRAWING 1418754
FOR LATEST INFORMATION ON THE PART

Für aktuelle Information zum Teil wird auf die
Produkt - Gruppenzeichnung 1418754 hingewiesen

THIS DRAWING IS UNPUBLISHED. 2001

© COPYRIGHT 2001 BY TYCO ELECTRONICS CORPORATION. ALL RIGHTS RESERVED.

DIMENSIONS: mm	DWN	R. Liebing	27MAR07	MATERIAL	-	FINISH	-
	CHK	R. Meier	27MAR07	 tyco Electronics AMP GmbH D - 64625 Bensheim			
TOLERANCES UNLESS OTHERWISE SPECIFIED:	APVD	-	-				
0 PLC ±	PRODUCT SPEC	-	NAME	TAB CONTACT 1.2MM - SWS Flachstecker 1.2mm - EDS			
1 PLC ±	APPLICATION SPEC	-	SIZE	CAGE CODE	DRAWING NO	RESTRICTED TO	
2 PLC ±	WEIGHT	-	A 4	00779	©=1718760	-	
3 PLC ±	CUSTOMER DRAWING			SCALE	4:1	SHEET	1 OF 1
4 PLC ±							REV A1
ANGLES ±							

