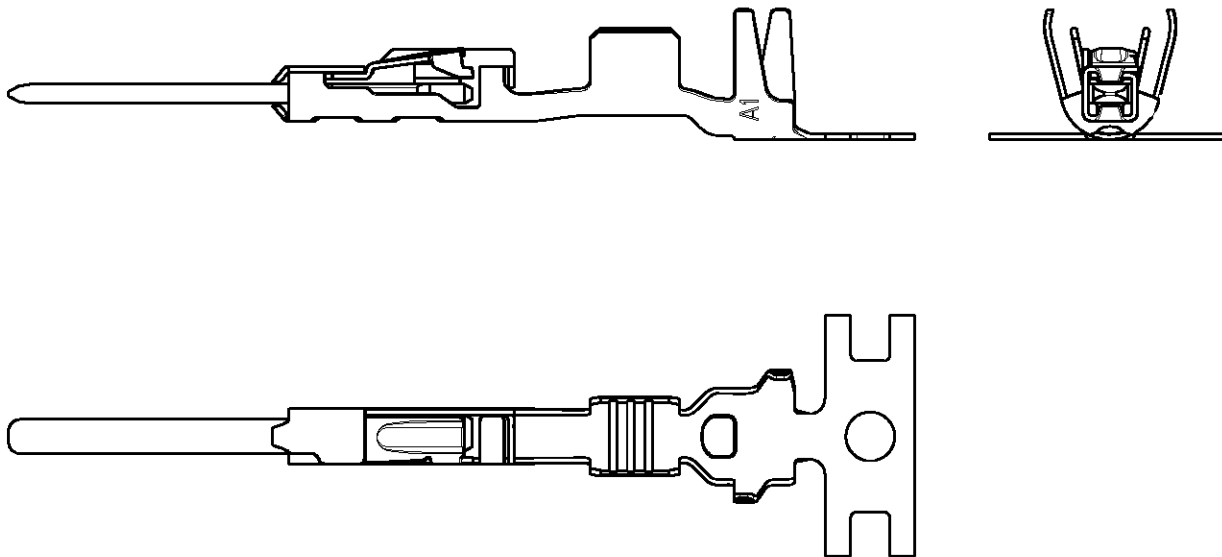


LOC	DIST	REVISIONS				
P	LTR	DESCRIPTION	DATE	DWN	APVD	
A1	-					
	A1	NEW DRAWING	23MAR07	R.M.	-	



REFER TO PRODUCT GROUP DRAWING 1418754  
 FOR LATEST INFORMATION ON THE PART


Für aktuelle Information zum Teil wird auf die  
 Produkt - Gruppenzeichnung 1418754 hingewiesen

2001

RELEASED FOR PUBLICATION

THIS DRAWING IS UNPUBLISHED.

© COPYRIGHT 2001 BY TYCO ELECTRONICS CORPORATION. ALL RIGHTS RESERVED.

DIMENSIONS: mm	DWN	23MAR07	MATERIAL	-	FINISH	-
	CHK	23MAR07	 tyco Electronics AMP GmbH D - 64625 Bensheim			
TOLERANCES UNLESS OTHERWISE SPECIFIED:	R. Meier	APVD				
0 PLC ±	PRODUCT SPEC	-	SIZE	CAGE CODE	DRAWING NO	RESTRICTED TO
1 PLC ±	-	-	A 4	00779	©=1718762	-
2 PLC ±	APPLICATION SPEC	-	CUSTOMER DRAWING		SCALE	4:1
3 PLC ±	-	-	WEIGHT		-	SHEET
4 PLC ±	-	-	SCALE		4:1	1 OF 1
ANGLES ±	-	-	REV		A1	

