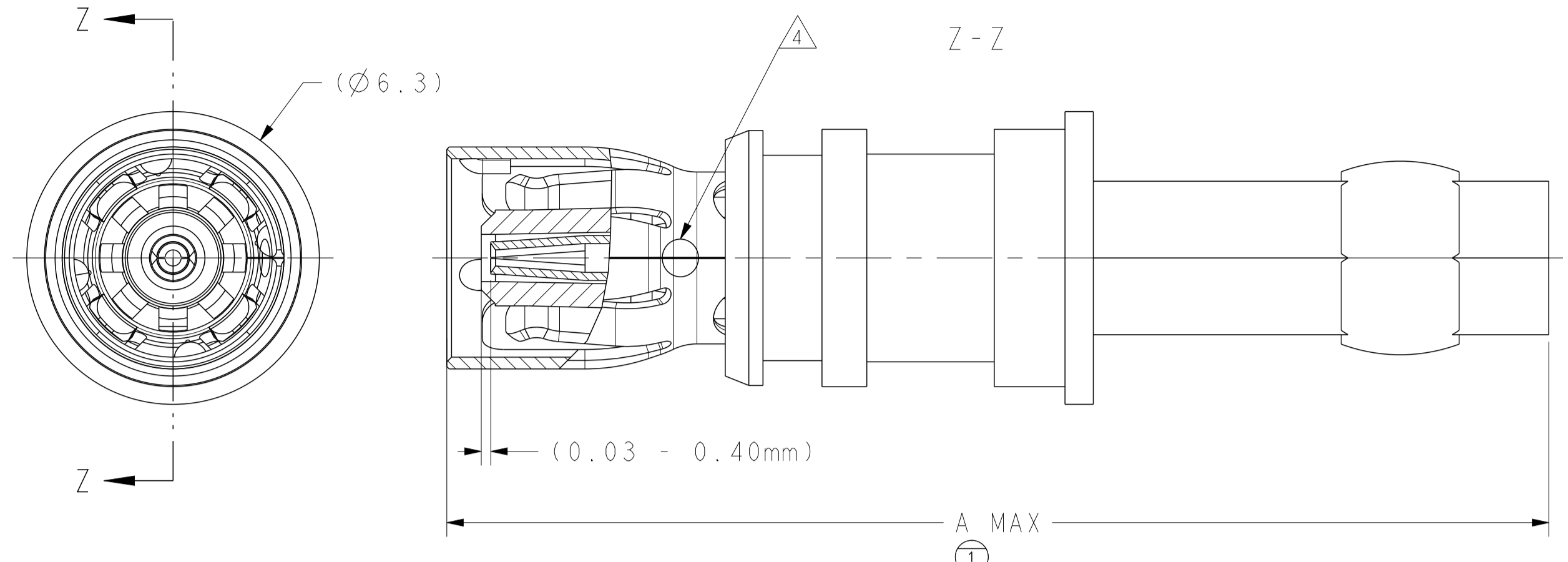
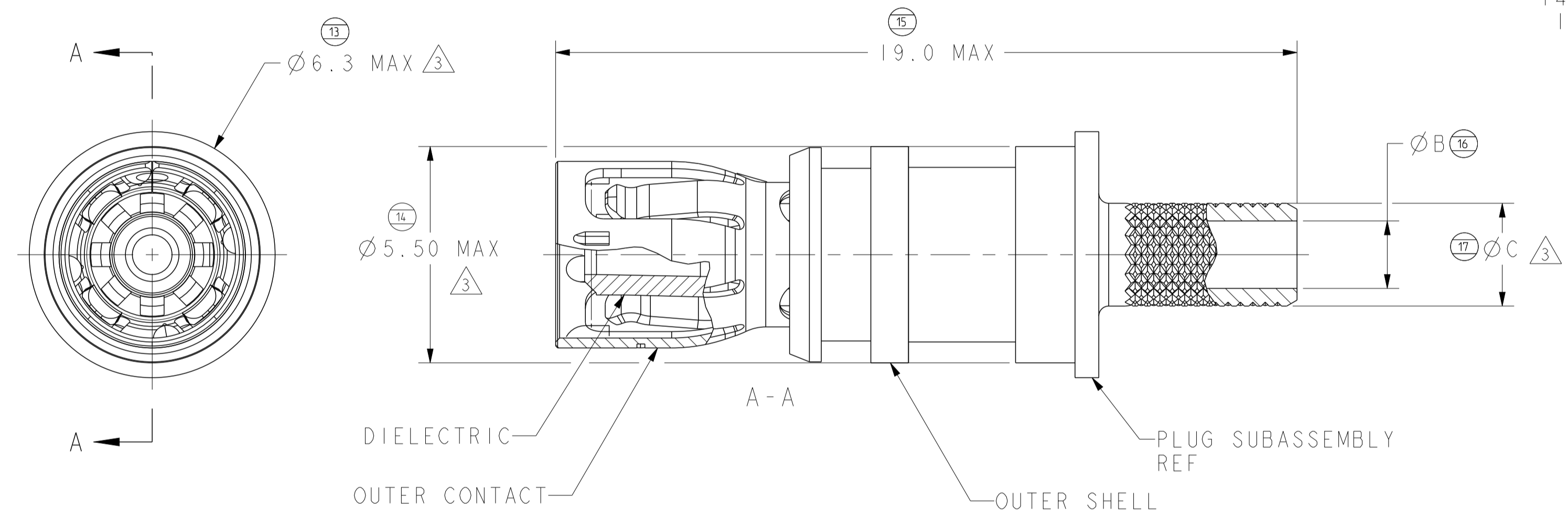
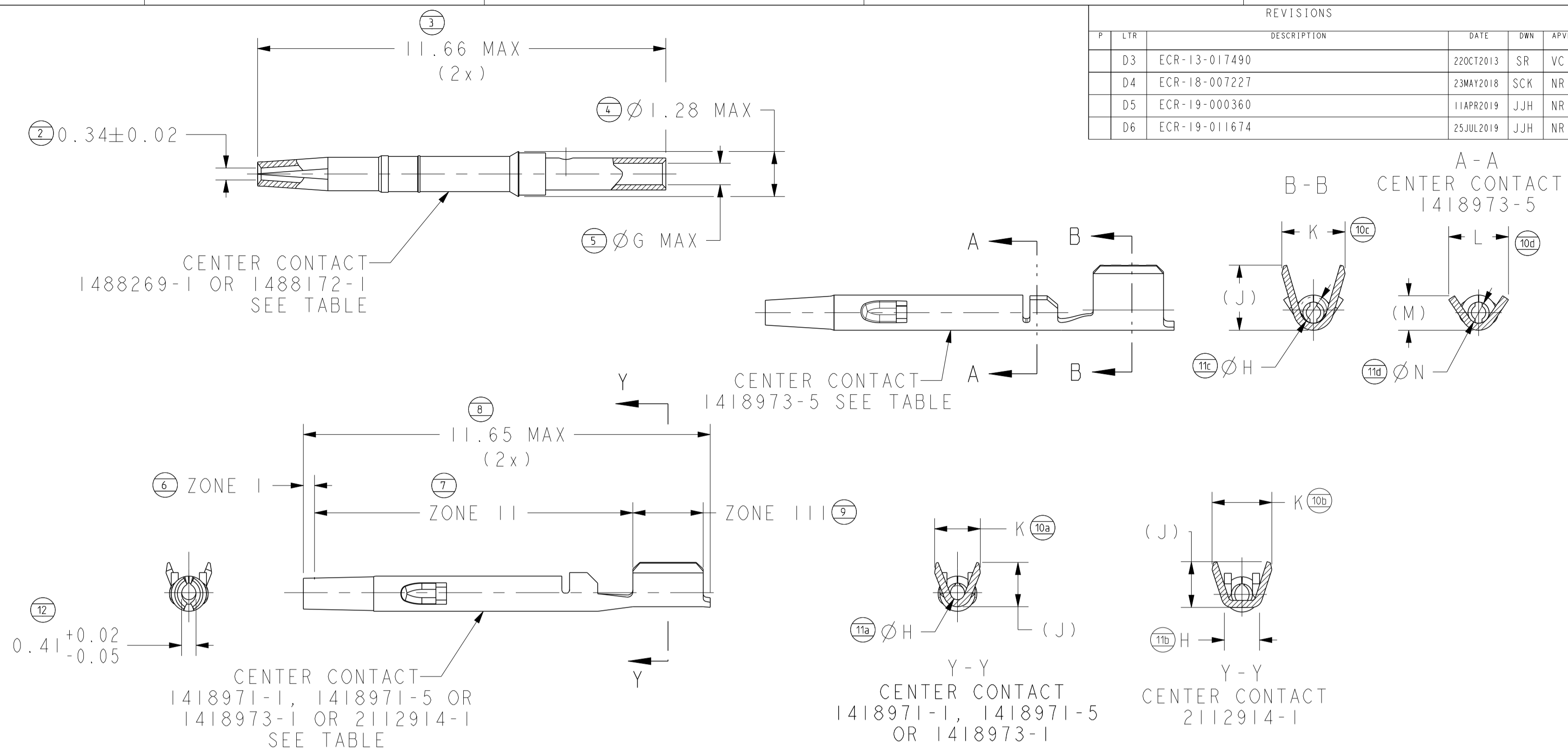


REVISIONS				
P.	LTN.	DESCRIPTION	DATE	OWN APVD
D3	ECR-13-017490		22OCT2013	SR VC
D4	ECR-18-007227		23MAY2018	SKR NR
D5	ECR-19-000360		11APR2019	JJH NR
D6	ECR-19-011674		25JUL2019	JJH NR

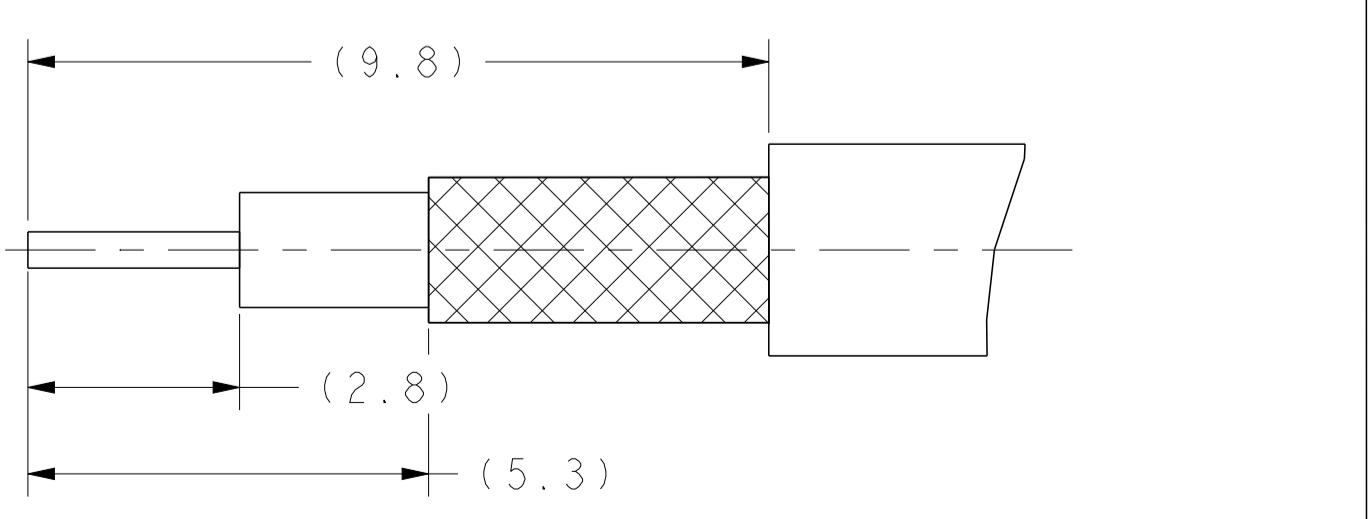
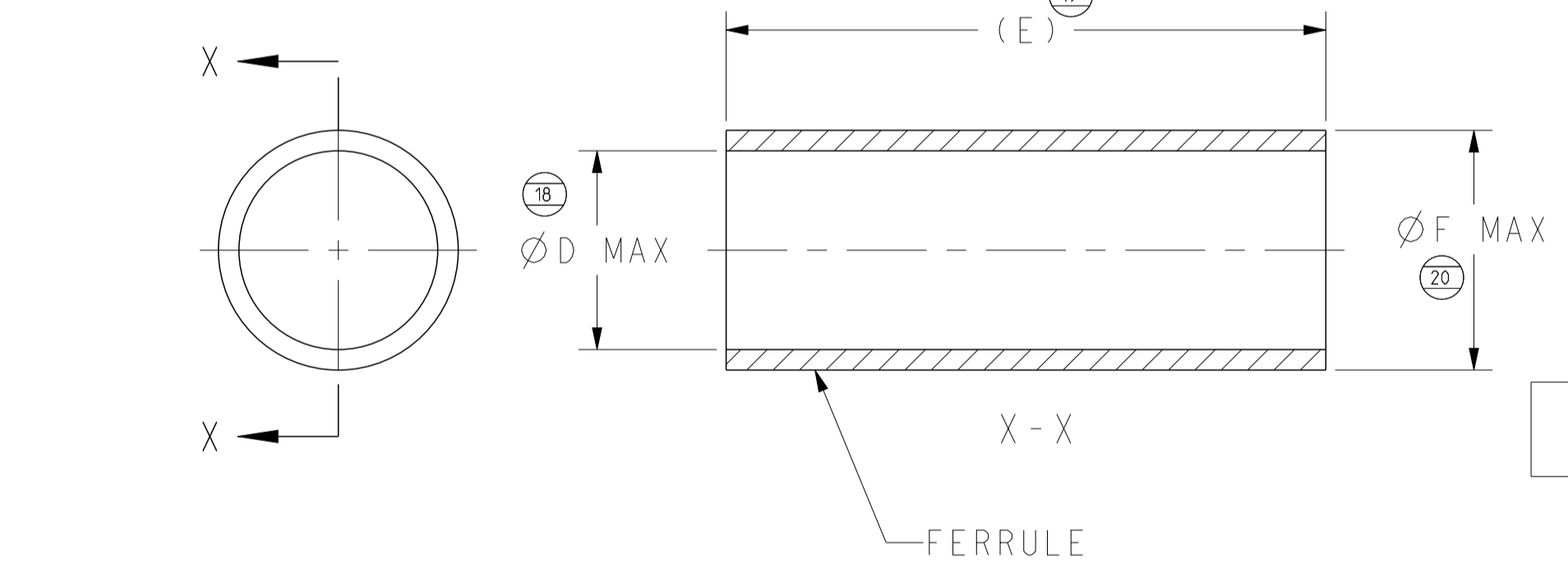


ASSEMBLED VIEWS



		MATERIAL	FINISH
SUBASSEMBLY	OUTER SHELL	GD ZnAl4Cu1 DIN EN 12844	OUTER SURFACE: min. 2 µm Sn over min. 1,27 µm Ni both over min. 5,08 µm Cu INNER SURFACE: min. 0,3 µm Sn over min. 0,5 µm Ni both over min. 2 µm Cu
	OUTER CONTACT	ISO CuNi3SiMg	pre-tin plated min. 1 µm
	DIELECTRIC	PE-HD	GREY COLOUR LOCAL DISCOLORATION ALLOWED
CENTER CONTACT	SCREW MACHINED	CuZn36Pb3 ISO 426	min. 0,8 µm Au over min. 1,27 µm Ni
	STAMPED AND BENT	CuNiSi DIN 17666	Zone I: min. 0,8 µm Au over min. 1,25 µm Ni Zone II: min. 0,1 µm Ni Zone III: min. 2 µm Sn over min. 0,1 µm Ni
FERRULE	-	SfCu DIN 17671	min. 1,25 µm Ni

	0.60 MAX.	0.98	1.7±0.3	1.8±0.3	1.85	0.80 MAX.	-	4.75	9.5	3.80	3.20	2.33±0.03	23,8	1418973-5 STAMPED AND BENT	RTK031	A	1719792-5	CENTER CONTACT SUBASSEMBLY FERRULE	1418973-5 1719794-1/-3 1488167-1
	-	-	-	1.4±0.3	1.3	0.60 MAX.	-	3.91	9.65	3.25	2.59 ^{+0.05} _{-0.08}	1.65	23,7	1418971-5 STAMPED AND BENT	RG-174	A	1719791-5	CENTER CONTACT SUBASSEMBLY FERRULE	1418971-5 1719793-1/-3 1-413889-3
OBSOLETE	-	-	-	1.7±0.1	1.3	1.00	-	4.54	9.65	3.51	2.59 ^{+0.05} _{-0.08}	1.65	23,7	2112914-1 STAMPED AND BENT	1.5DS	A	2112946-2	CENTER CONTACT SUBASSEMBLY FERRULE	2112914-1 1719793-1 1-413889-4
	-	-	-	1.8±0.3	1.85	0.80 MAX.	-	4.75	9.5	3.80	3.20	2.33±0.03	23,8	1418973-1 STAMPED AND BENT	RTK031	C	1719792-2	CENTER CONTACT SUBASSEMBLY FERRULE	1418973-1 1719794-1/-3 1488167-1
	-	-	-	1.4±0.3	1.3	0.60 MAX.	-	3.91	9.65	3.25	2.59 ^{+0.05} _{-0.08}	1.65	23,7	1418971-1 STAMPED AND BENT	RG-174	D	1719791-2	CENTER CONTACT SUBASSEMBLY FERRULE	1418971-1 1719793-1/-3 1-413889-3
REPLACEMENT ONLY	-	-	-	-	-	-	0.92	4.75	9.5	3.80	3.20	2.33±0.03	23,8	1488172-1 SCREW MACHINED	RTK031	C	1719792-1	CENTER CONTACT SUBASSEMBLY FERRULE	1418972-1 1719794-1/-3 1488167-1
REPLACEMENT ONLY	-	-	-	-	-	-	0.64	3.91	9.65	3.25	2.59 ^{+0.05} _{-0.08}	1.65	23,7	1488269-1 SCREW MACHINED	RG-174	D	1719791-1	CENTER CONTACT SUBASSEMBLY FERRULE	1418971-1 1719793-1/-3 1-413889-3
	N	M	L	K	J	H	G	F	E	D	C	B	A	CENTER CONTACT	CABLE	CONTACT KIT REV	CONTACT KIT PART NUMBER	PART NUMBERS FOR PLACING ORDER	



APPLICABLE STRIPPING DIMENSIONS AND CABLE TYPES, SEE APPLICATION SPECIFICATION 114-18622.

50 THE CONNECTION HAS TO FULFILL THE DIMENSIONAL REQUIREMENTS ACC. TO DIN 72594-1 RELEASED MARCH 2006 AND THE MECHANICAL AND ELECTRICAL REQUIREMENTS OF SAE/USCAR 17 REV. 2

51 COMPONENTS OF CONTACT KITS 1719791-2, 1719791-5, 1719792-2, 1719792-5 AND 2112946-2 MUST BE PURCHASED SEPARATELY.

52 FLAT ON BOTH SIDES OF OUTER SHELL DUE TO MOLD SEPARATION. BURR PERMISSIBLE.

53 WELDING POINT

THIS DRAWING IS A CONTROLLED DOCUMENT.

OWNER: DE CLOET 20JAN06
 CHG: W. MUELLER 20JAN06
 APVD: W. STABROTH 20JAN06

NAME: PLUG KIT, UNASSEMBLED HF, FAKRA II

PRODUCT SPEC: 108-2129
 APPLICATION SPEC: 114-18622

SIZE: A1
 CAGE CODE: -
 DRAWING NO: C=1719795

RESTRICTED TO: -
 SCALE: 10:1
 SHEET: 1 OF 1
 REV: D6