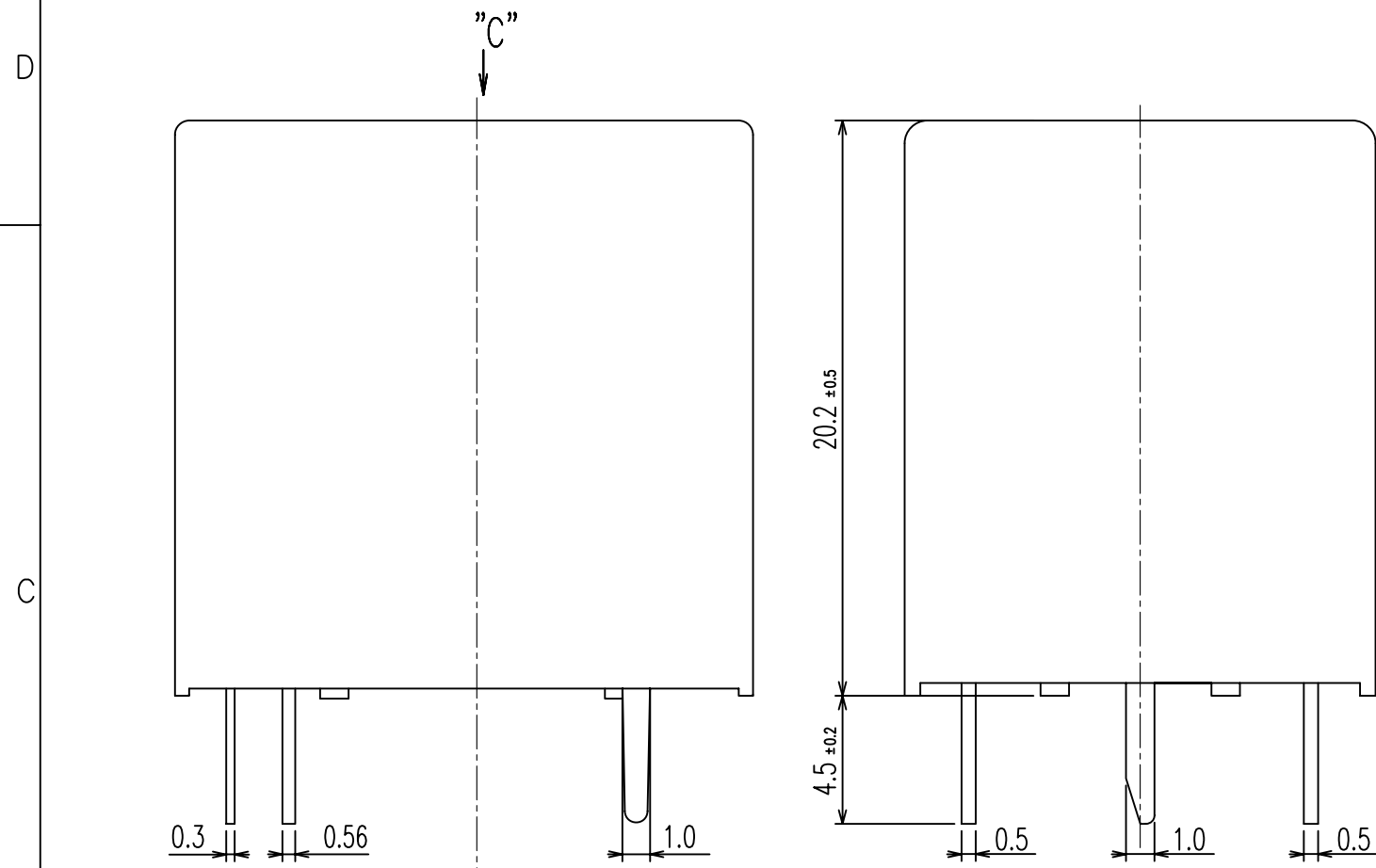
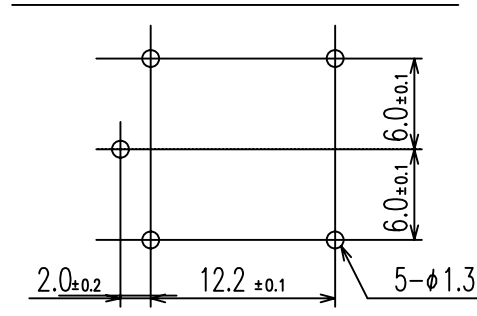


THIS DRAWING IS UNPUBLISHED. RELEASED FOR PUBLICATION  
 © COPYRIGHT BY TYCO ELECTRONICS CORPORATION. ALL RIGHTS RESERVED.

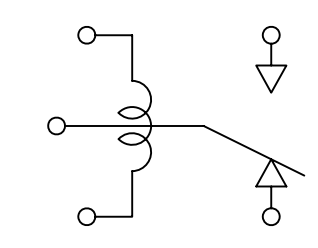
LOC HB	DIST	REVISIONS						
		P	LTR	DESCRIPTION	ECN	DATE	DWN	APVD
			A	RELEASED		27-JUN-05	JM.CAO	YIP,A
			B	CHANGE TE LOGO AND ADD UL MARKING	ECO-08-013316	06-AUG-08	SZ,Z	BH,Y



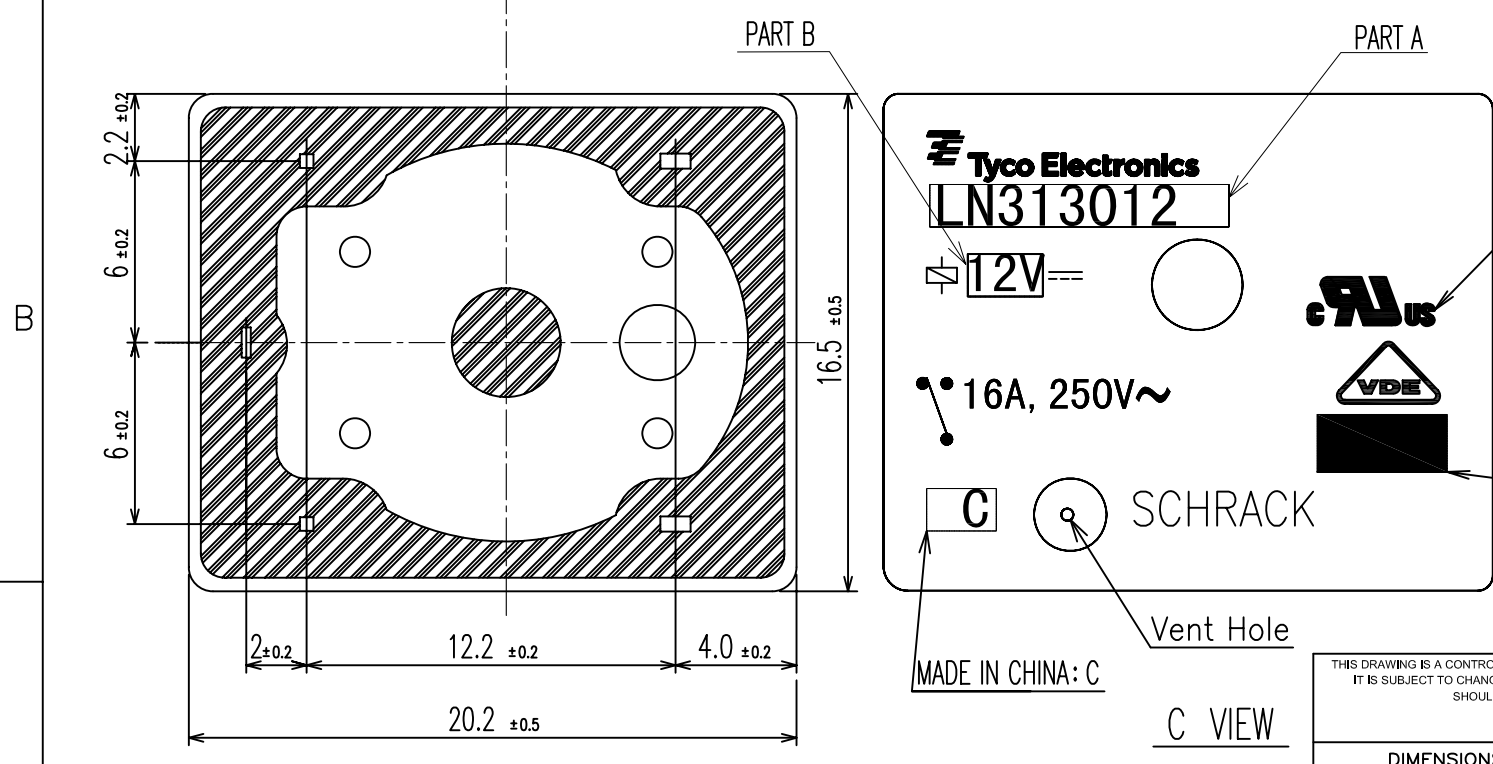
PC BOARD LAYOUT (BOTTOM VIEW)



CONNECTION DIAGRAM (BOTTOM VIEW)



107-79007	1721548-4	LN313024	24V	LN313024	c
107-79007	1721548-3	LN313012	12V	LN313012	b
107-79007	1721548-1	LN313006	6V	LN313006	a
PACKAGE SPEC	TE PART NO	DESCRIPTION	PART B	PART A	TYPE



AR	AR	AR		EPOXY RESIN	SEAL	13	
AR	AR	AR		UEW	MAGNETIC WIRE	12	
1	1	1	UL 94V-0	PBT	CASE	11	
1	1	1	UL 94V-0	PET	BOBBIN	10	
1	1	1		CP WIRE	COIL TERMINAL	9	
2	2	2		AgSnO <sub>2</sub>	STATIONARY CONTACT	8	
1	1	1		AgSnO <sub>2</sub>	MOVABLE CONTACT	7	
1	1	1		Cu	B-TERMINAL	6	
1	1	1		Cu	M-TERMINAL	5	
1	1	1		Cu ALLOY	MOVABLE SPRING	4	
1	1	1		Ni PLATING	STEEL	CORE	3
1	1	1		Ni PLATING	STEEL	ARMATURE	2
1	1	1		Ni PLATING	STEEL	YOKE	1
c	b	a	INCOMBUSTIBILITY	TREATMENT	MATERIAL	DESCRIPTION	ITEM

NOTE:  
 1. LOT NO. SYSTEM AS FOLLOWING:  
 0 8 2 9  
 WEEK YEAR

Diagram dimension	Tolerance
0.99mm max.	±0.1mm
1 - 2.99mm	±0.2mm
3mm min.	±0.3mm

THIS DRAWING IS A CONTROLLED DOCUMENT FOR TYCO ELECTRONICS CORPORATION. IT IS SUBJECT TO CHANGE AND THE CONTROLLING ENGINEERING ORGANIZATION SHOULD BE CONTACTED FOR THE LATEST REVISION.

DWN	JM.CAO	Tyco Electronics Corporation ShenZhen, China
CHK	YIP.ANTHONY	
APVD	N.FUNAYAMA	
PRODUCT SPEC		
APPLICATION SPEC		LN3 Cd FREE TYPE CUSTOMER DRAWING
WEIGHT		
SIZE	A3	RESTRICT TO
GAGE CODE	00779	
DRAWING NO	1721548	
SCALE	4:1	
SHEET	1 OF 1	
REV	B	

CUSTOMER DRAWING