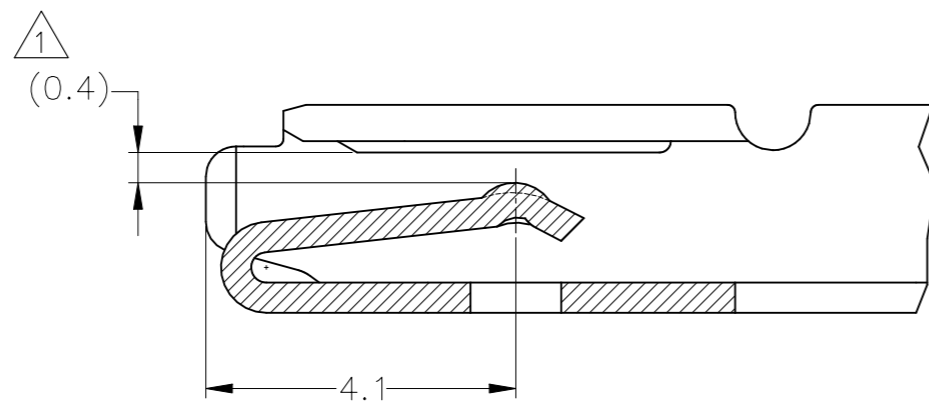
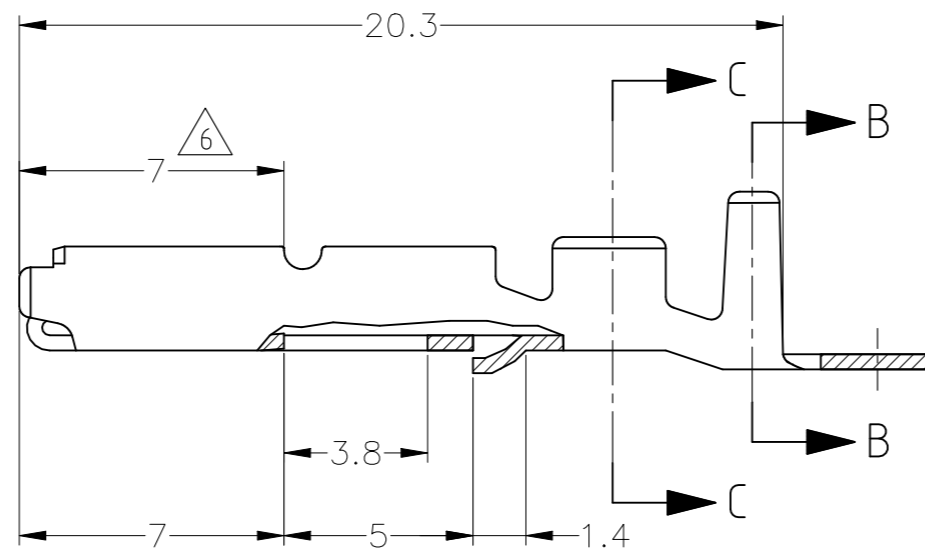
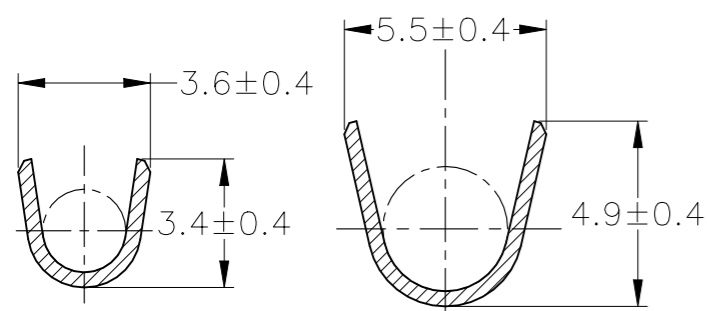
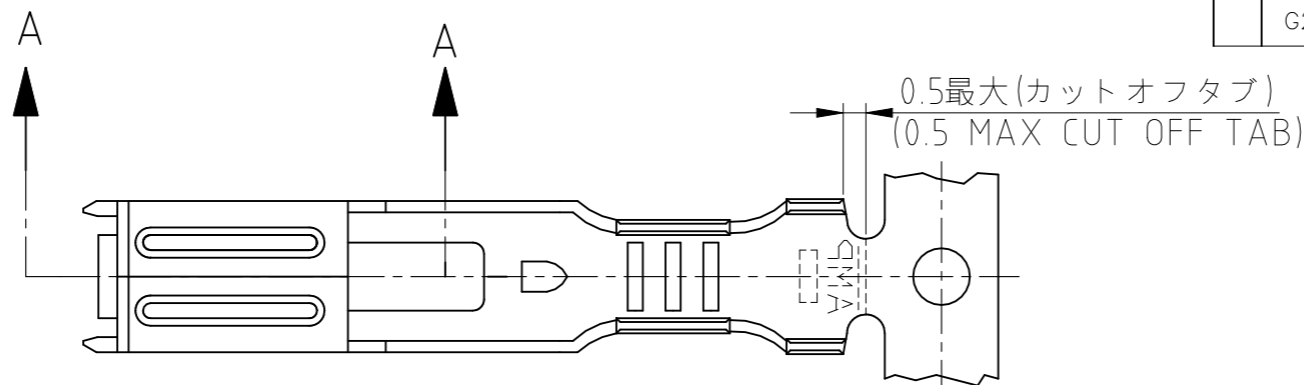
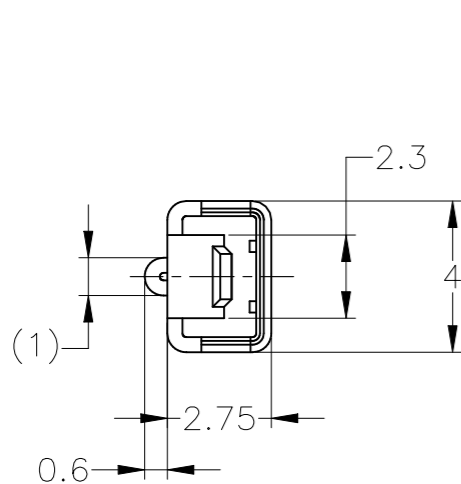


REVISIONS					
P	LTR	DESCRIPTION	DATE	DWN	APVD
	G2	REVISED PER ECR-22-153250	11NOV2022	RK	MT



A-A
SCALE 10: 1

- △ 0.65t タブと嵌合
- 2. 嵌合相手タブ型番 172777, 172778
- 3. 製品規格 No.108-5165,5166
- 4. 取付適用規格 No.114-5071
- 5. 相手ハウジング型番 172500 他
- △ 逆巻きリール

- △ MATE WITH 0.65t TAB.
- 2. MATE TAB P/N 172777,172778.
- 3. PRODUCT SPEC. No.108-5165,5166
- 4. APPLICATION SPEC. No.114-5071.
- 5. PLUG HSG P/N 172500 ETC.
- △ REVERSE REEL.

172774-5	錫メッキ済 PRE-TIN	KLF-5	△1-172773-5	7
OBSOLETE	錫メッキ済 PRE-TIN	黄銅 BRASS	△1-172773-1	6
172774-6	部分金メッキ SELECTIVE GOLD △6	磷青銅 PHOS-BRO	172773-6	5
172774-5	錫メッキ済 PRE-TIN	KLF-5	172773-5	4
172774-4	錫メッキ済 PRE-TIN	磷青銅 PHOS-BRO	172773-4	3
SEE DRAWING 172773-2			172773-2	2
172774-1	錫メッキ済 PRE-TIN	黄銅 BRASS	172773-1	1
バラ状端子型番 L-P NO.	仕上 FINISH	材料 MATERIAL	型番 PART NUMBER	項番 ID

WIRE RANGE	INSULATION DIA
0.5-2.27mm ² (AWG #22-#18)	2.1-3.4 mm DIA

TOLERANCE UNLESS OTHERWISE SPECIFIED: 一般公差	
0 < x ≤ 10	: ±0.2
10 < x ≤ 30	: ±0.25
30 < x ≤ 100	: ±0.3
ANGLE ; 角度	: ±3°

THIS DRAWING IS A CONTROLLED DOCUMENT.	
DIMENSIONS: mm	TOLERANCES UNLESS OTHERWISE SPECIFIED:
	0 PLC ± -
	1 PLC ± -
	2 PLC ± -
	3 PLC ± -
	4 PLC ± -
	ANGLES ± -
MATERIAL SEE TABLE	FINISH SEE TABLE

DWN D.MATSUURA 08MAR16	TE Connectivity RECEPTACLE CONTACT MULTI INTER LOCK CONNECTOR MARK II				
CHK S.IWATANI 08MAR16					
APVD T.KOHNO 08MAR16					
PRODUCT SPEC T.KOHNO					
APPLICATION SPEC	NAME	SIZE	CAGE CODE	DRAWING NO	RESTRICTED TO
—	—	A3	00779	C-172773	—
WEIGHT —	CUSTOMER DRAWING		SCALE 5:1	SHEET 1 OF 1	REV G2