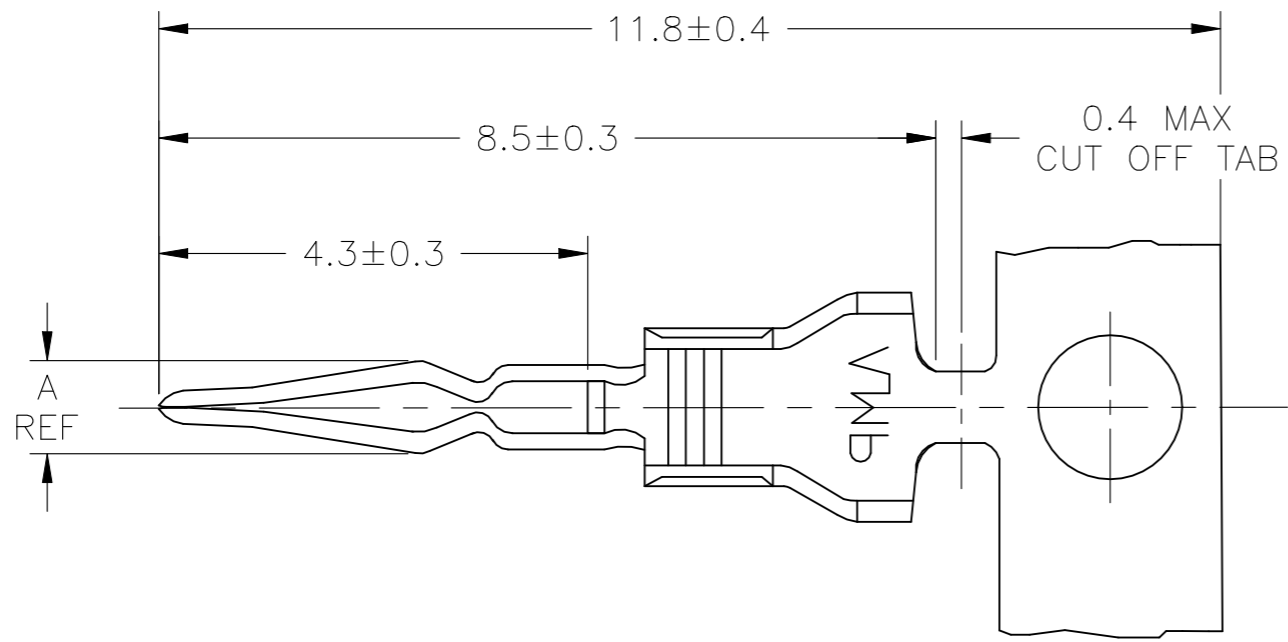


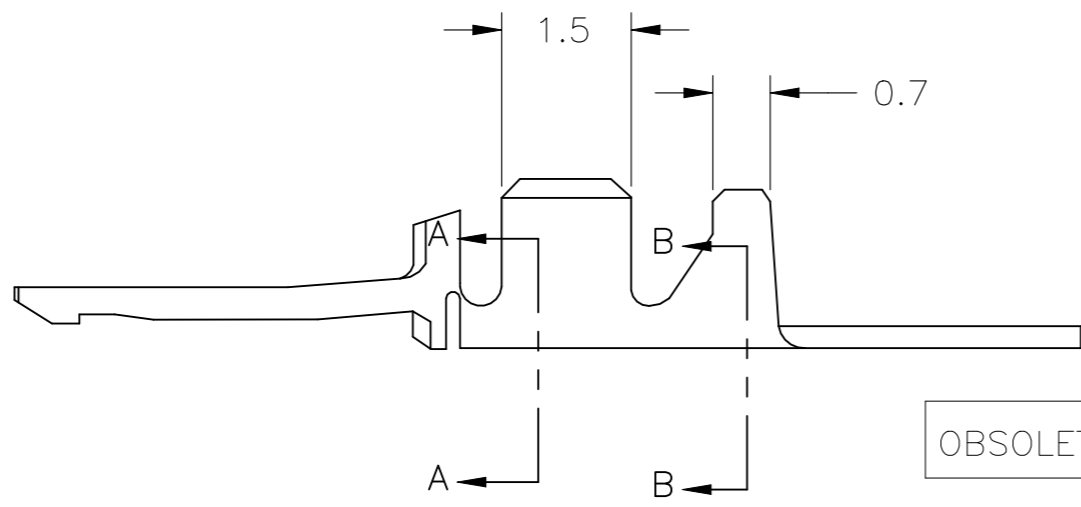
THIS DRAWING IS UNPUBLISHED. RELEASED FOR PUBLICATION
 © COPYRIGHT - By - ALL RIGHTS RESERVED.

REVISIONS					
P	LTR	DESCRIPTION	DATE	DWN	APVD
	G4	REVISED PER ECR-22-137131	10MAY2022	SK	DZ

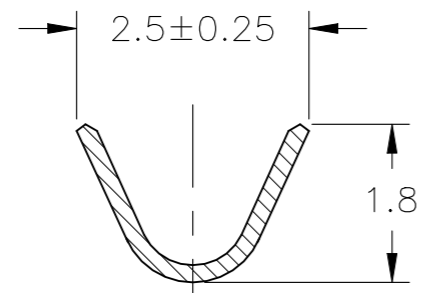
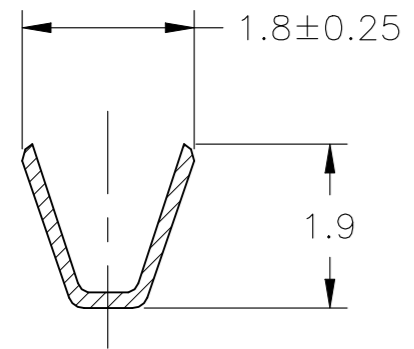


- 1 APPLICABLE HDR HSG: 172520(2.5 PITCH)
172890(2.0 PITCH)
- 2 PRODUCT SPEC: 108-5163
- 3 CRIMPING SPEC: 114-5062
COMMON APPLICATOR FOR 2.5mm PITCH
HDR HSG: P/N 755765-□
EXCLUSIVE APPLICATOR FOR 25mm PITCH
HDR HSG: P/N 752830-□

△ 4 TOLERANCES: UNLESS OTHERWISE SHOWN,
 DIM <10 mm ±0.20; DIM 10-20 mm ±0.25,
 ANGLES ±3 DEGREES



OBSOLETE	0.95	∅0.8±0.1, 1.2~1.6	-	POST-TINNED PHOS-BRO, 0.2t	172782-9
	0.95	∅0.8±0.1, 1.2~1.6	-	POST-TINNED, HIGH HEAT RESISTANCE COPPER ALLOY	1-172782-2
	1.2	∅1 ^{+0.05} _{-0.1} , 1.2~1.6	-	POST-TINNED BRASS 0.2t	172782-7
	0.95	∅0.8±0.1, 1.2~1.6	-	POST-TINNED BRASS 0.2t	172782-5
SUPERSEDED BY 172782-7	1.2	∅1 ^{+0.05} _{-0.1} , 1.2~1.6	172798-2	PRE-TINNED BRASS 0.2t	172782-2
SUPERSEDED BY 172782-5	0.95	∅0.8±0.1, 1.2~1.6	172798-1		172782-1
"A" REF		APPLICABLE PCB HOLE AND THK	LOOSE PIECE CONTACT P/N	MATERIAL	PART NO.



SUPERSEDED BY 172782-7
 SUPERSEDED BY 172782-5

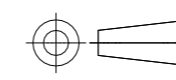
THIS DRAWING IS A CONTROLLED DOCUMENT.

DWN 14JAN2016
 BASVESH WARAD
 CHK 14JAN2016
 JACONO, GENE
 APVD 14JAN2016
 JACONO, GENE



LOW PROFILE MINI AMP IN CONTACT

WIRE RANGE
 0.14-0.40 mm²
 [22-26] AWG



TOLERANCES UNLESS OTHERWISE SPECIFIED:
 0 PLC ± -
 1 PLC ± -
 2 PLC ± -
 3 PLC ± -
 4 PLC ± -
 ANGLES ± -
 FINISH ± -

PRODUCT SPEC -
 APPLICATION SPEC -
 WEIGHT 0

SIZE A3 CAGE CODE 00779 DRAWING NO C-172782 RESTRICTED TO -

INSULATION DIA
 1.4-1.5

MATERIAL
 SEE TABLE

CUSTOMER DRAWING SCALE 1:1 SHEET 1 OF 1 REV G4