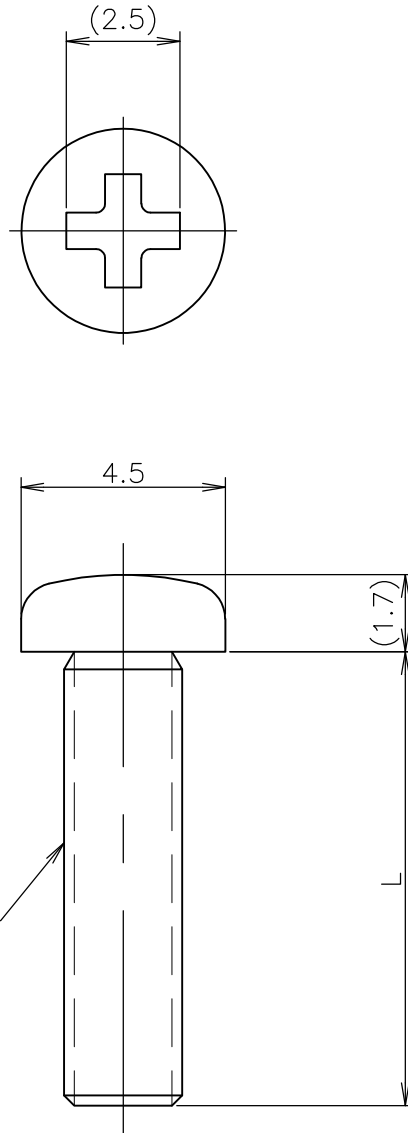


LOC GP	DIST 00	REVISIONS 変更			DATE	DWN	APVD
		P	LTR	DESCRIPTION			
			C	ECO-12-010968	03OCT12	CV	CR

- -; AS SHOWN

△ 1 OBSOLETE PART NUMBER



M2.6x0.45
(JIS B1111)

RELEASED FOR PUBLICATION
DEC , 1986.

ALL RIGHTS RESERVED.

THIS DRAWING IS UNPUBLISHED.

ALL RIGHTS RESERVED.

© COPYRIGHT 1986 By -

GENERAL TOLERANCE
一般公差

10 ≥ : ±0.2
30 ≥ > 10 : ±0.25
100 ≥ > 30 : ±0.3
ANGLES: ±3°

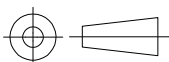


12			1-172996-4
10	NICKEL PL. (JIS H 8617 MFNi II)	ニッケルめっき	1-172996-3
10	ZINC PL.	亜鉛めっき	172996-3
L	FINISH 表面仕上げ		PART NO.

DIMENSIONS:
単位: 耗
mm

TOLERANCES UNLESS
OTHERWISE SPECIFIED:
一般公差

0 PLC ±
1 PLC ±
2 PLC ±
3 PLC ±
4 PLC ±
ANGLES ±



DWN T.TSUZAKI 25OCT2010	MATERIAL 材料 黄銅 BRASS	FINISH 仕上 表参照 SEE TABLE			
CHK T.MASUDA 25OCT2010	TE Connectivity				
APVD T.MASUDA 25OCT2010					
PRODUCT SPEC 製品規格	NAME 名称 M2.6 CROSS RECESSED HEAD MACHINE SCREW M2.6 十字穴付き ネジ				
APPLICATION SPEC 取付適用規格	SIZE A4	CAGE CODE 00779	DRAWING NO 番号 C-172996	RESTRICTED TO	
WEIGHT	CUSTOMER DRAWING		SCALE 尺度 NTS	SHEET 1 OF 1	REV C