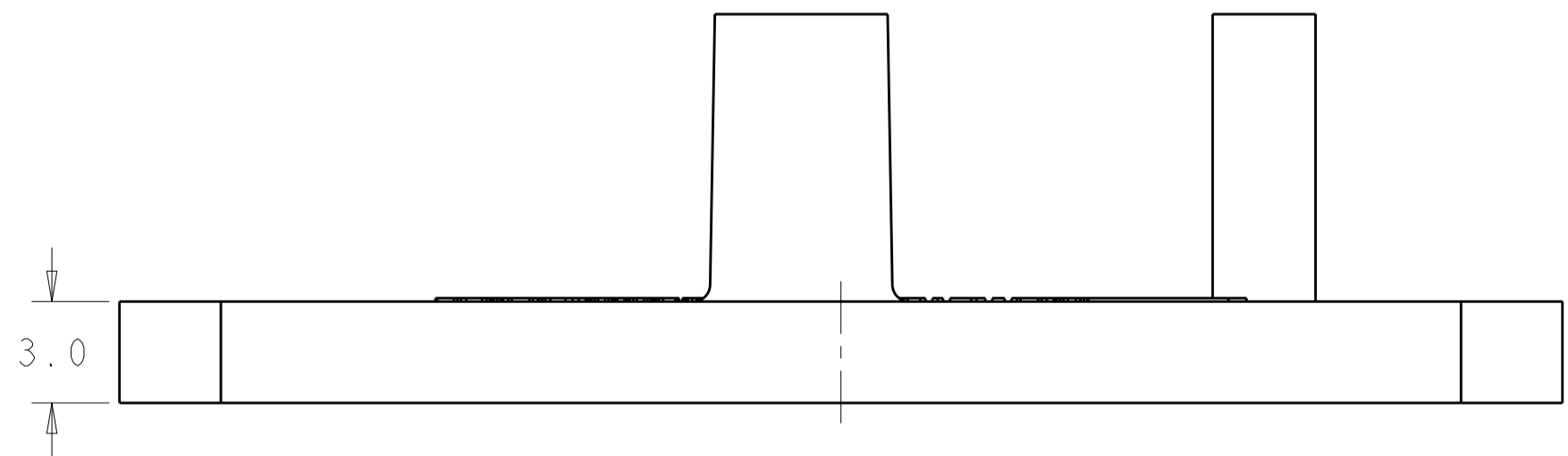
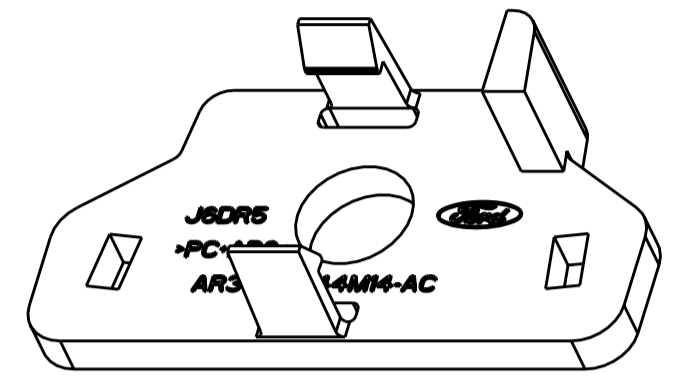
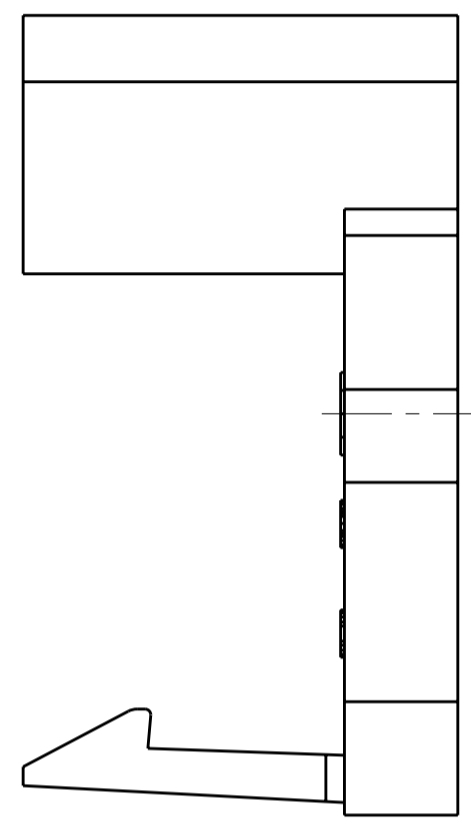
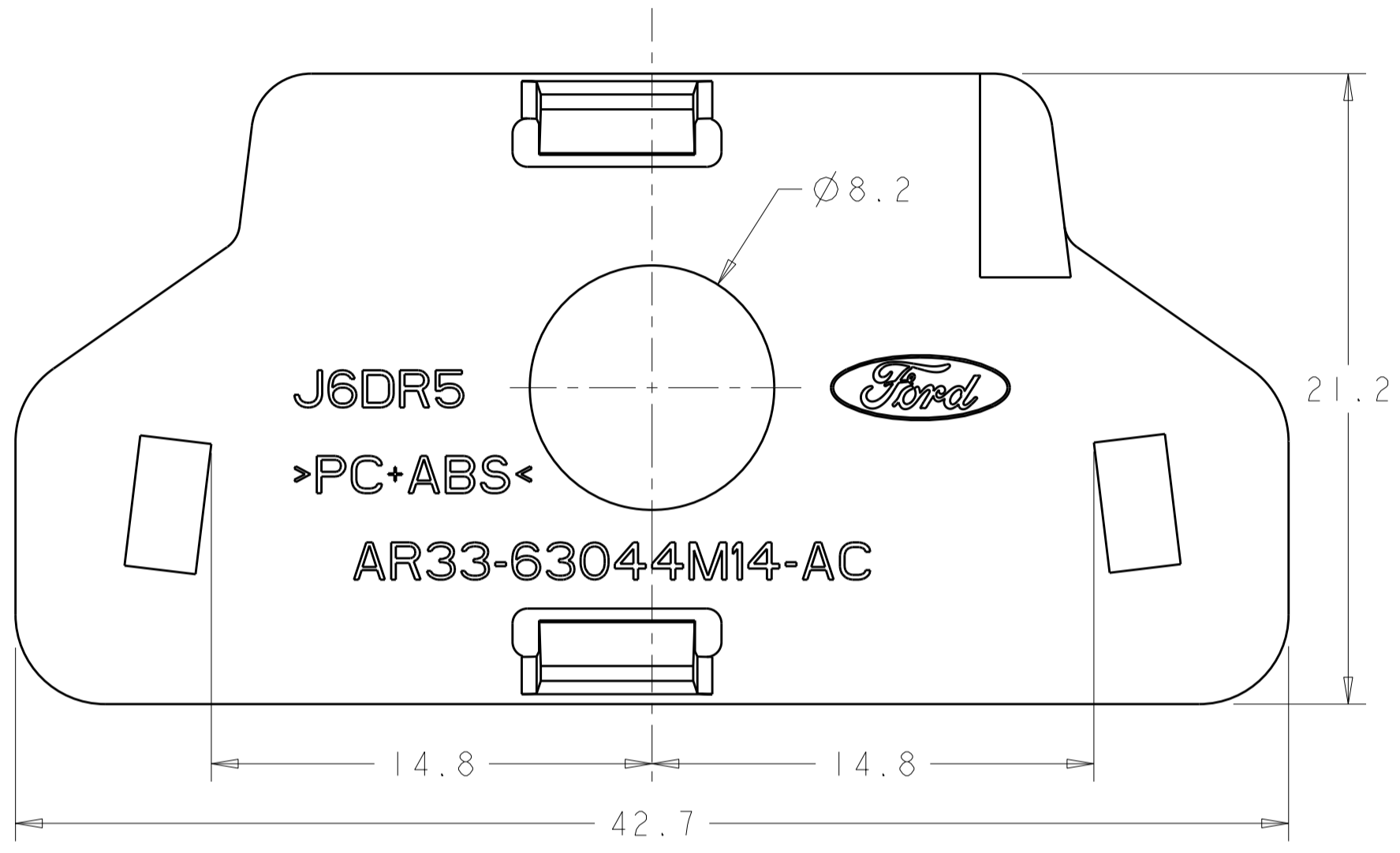


THIS DRAWING IS UNPUBLISHED. RELEASED FOR PUBLICATION 20
 © COPYRIGHT 20 BY TYCO ELECTRONICS CORPORATION. ALL RIGHTS RESERVED.

LOC		DIST		REVISIONS			
P	LTR	DESCRIPTION	DATE	DWN	APVD		
	C	ECR-08-022119	22SEP2008	DM	AW		



△ MATERIAL: PC/ABS

1732299-1
TE PN

<small>THIS DRAWING IS A CONTROLLED DOCUMENT FOR TYCO ELECTRONICS CORPORATION. IT IS SUBJECT TO CHANGE AND THE CONTROLLING ENGINEERING ORGANIZATION SHOULD BE CONTACTED FOR THE LATEST REVISION.</small>		DWN S. LAM 03MAR2008 CHK D. LAZURAN 03MAR2008 APVD A. WELSH 03MAR2008	Tyco Electronics Harrisburg, PA 17105-3608
DIMENSIONS: mm	TOLERANCES UNLESS OTHERWISE SPECIFIED: 0 PLC ± 1 PLC ±0.20 2 PLC ±0.10 3 PLC ± 4 PLC ± ANGLES ± FINISH	PRODUCT SPEC APPLICATION SPEC WEIGHT	NAME BRACKET, DOOR, MAP POCKET LAMP
MATERIAL △	-	CUSTOMER DRAWING	SIZE A200779 CAGE CODE C-1732299 DRAWING NO 1732299-1 RESTRICTED TO - SCALE 5:1 SHEET 1 OF 1 REV C