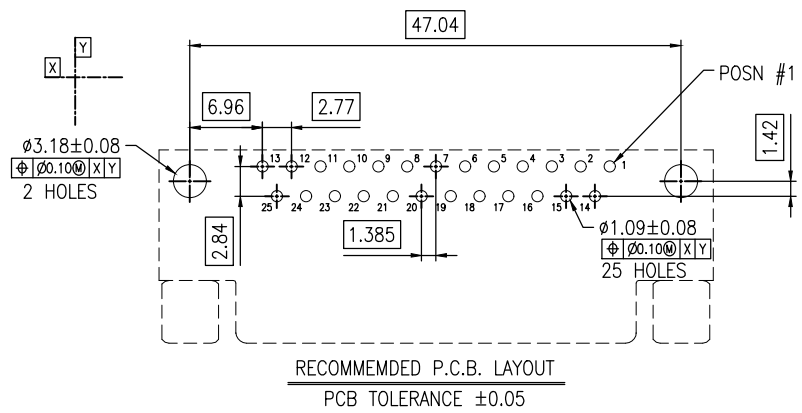
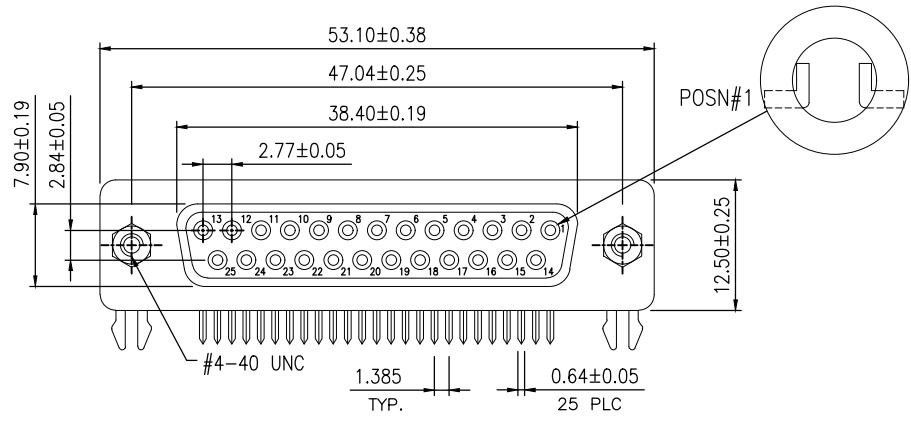
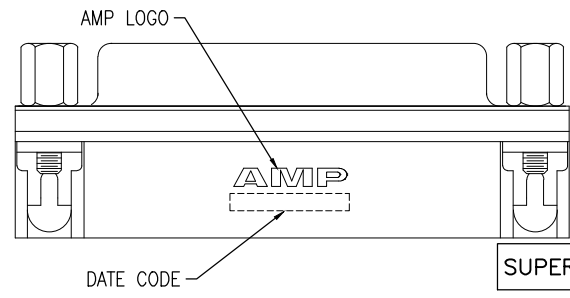
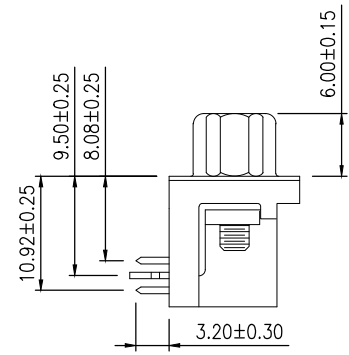
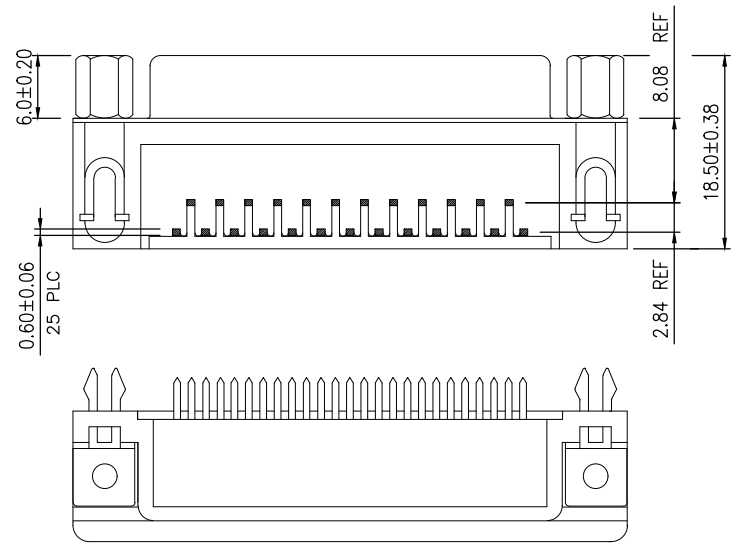


THIS DRAWING IS UNPUBLISHED. RELEASED FOR PUBLICATION
 © COPYRIGHT BY - ALL RIGHTS RESERVED.

LOC		DIST		REVISIONS			
P	LTR	DESCRIPTION		DATE	DWN	APVD	
	B	REVISED PER ECO-17-013750		16FEB2018	AP	DG	



- NOTES:
- MATERIAL:
 - 1.1 HOUSING: PBT WITH 30% G.F., UL 94V-0, COLOUR: BLACK
 - 1.2 CONTACTS: PHOSPHOR BRONZE
 - 1.3 SHELL: SPCC
 - 1.4 BOARDLOCKS: BRASS
 - 1.5 RIVET: BRASS
 - 1.6 SCREWLOCKS: BRASS, SCREW THREAD LENGTH: 6.0 MIN.
 - FINISH:
 - 2.1 CONTACT: (SEE TABLE)
GOLD PLATING ON CONTACT AREA.
2.54µm[100µ"] MIN. MATTE-TIN ON SOLDER TAIL,
1.27µm[50µ"] MIN. NICKEL UNDERPLATED ON ENTIRE CONTACT.
 - 2.2 BOARDLOCK:
2.54µm[100µ"] MIN. MATTE-TIN OVER 1.27µm[50µ"] MIN. NICKEL UNDERPLATED ON ENTIRE CONTACT.
 - 2.3 SHELL: NICKEL PLATED
 - 2.4 RIVET: NICKEL PLATED
 - 2.5 SCREWLOCKS: NICKEL PLATED
 - NET WEIGHT: 14.1 gram/pc
 - THREADED INSERTS AND SCREWLOCKS MUST WITHSTAND 6 IN-LBS TORQUE.
 - DATE CODE: YYYY
 - WAVE SOLDER CAPABLE TO 265°C
PER TE CONNECTIVITY SPEC. 109-202, CONDITION B.



OBSOLETE	0.38µm[15µ"]	1734349-2
SUPERSEDED BY 2311766-1	GOLD-FLASH	1734349-1
	CONTACT FINISH MIN.	PART NO.

THIS DRAWING IS A CONTROLLED DOCUMENT.		DWN J. LEE 17NOV2006		
DIMENSIONS: MM		CHK S. HOU 17NOV2006		
TOLERANCES UNLESS OTHERWISE SPECIFIED:		APVD W.J. KE 17NOV2006	NAME RECEPTACLE ASSEMBLY, 25 POSN, RIGHT ANGLE, 8.08mm[0.318in]	
0 PLC ± - 1 PLC ± 0.38 2 PLC ± 0.25 3 PLC ± 0.15 4 PLC ± - ANGLES ± -		PRODUCT SPEC 108-57541	SIZE A3	
MATERIAL SEE NOTE		QUALIFICATION TEST REPORT 501-57623	CAGE CODE 00779	DRAWING NO C=1734349
FINISH SEE NOTE		WEIGHT SEE NOTE	RESTRICTED TO -	
CUSTOMER DRAWING			SCALE -	SHEET 1 OF 2
			REV B	

4

3

2

1

THIS DRAWING IS UNPUBLISHED.

RELEASED FOR PUBLICATION

ALL RIGHTS RESERVED.

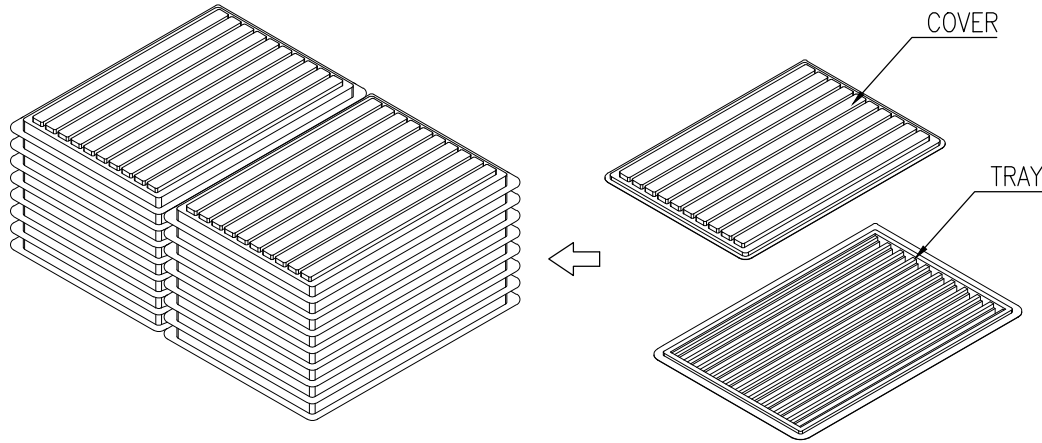
© COPYRIGHT - BY -

LOC DW

DIST

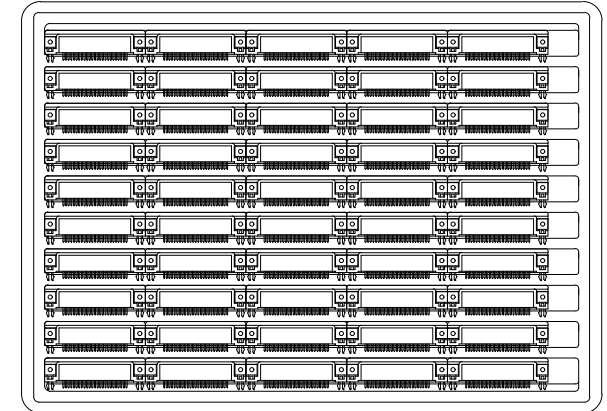
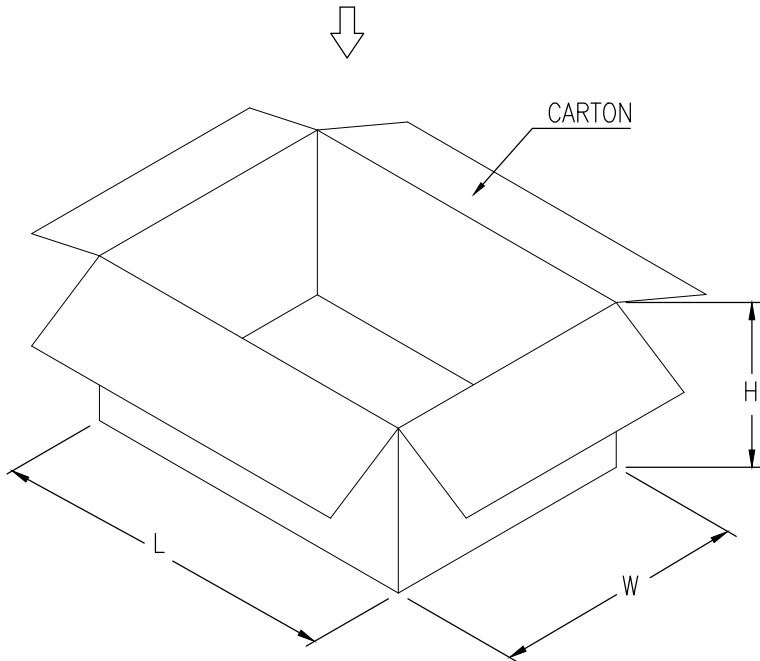
REVISIONS

P	LTR	DESCRIPTION	DATE	DWN	APVD
		SEE SHEET 1.			



NOTES:

1. MATERIAL:
 - 1.1 TRAY: PVC
 - 1.2 SHIPPING CARTON: CORRUGATED FIBERBOARD
2. DIMENSION:
 - 2.1 TRAY: L=306, W=217, H=15
 - 2.2 SHIPPING CARTON: L=440, W=321, H=210
3. QUANTITY:
 - 3.1 PRIMARY PACKING: 50 PCS/TRAY
 - 3.2 SECONDARY PACKING: 16 TRAY/CARTON (800PCS)
4. CARTON WEIGHT:
 - 4.1 NET WEIGHT: 11.3 KG
 - 4.2 GROSS WEIGHT: 12.8 KG



THIS DRAWING IS A CONTROLLED DOCUMENT.		DWN			
		CHK			
		APVD	NAME		
DIMENSIONS:		PRODUCT SPEC		RECEPTACLE ASSEMBLY, 25 POSN, RIGHT ANGLE, 8.08mm[0.318in]	
MM		APPLICATION SPEC		SIZE	
				CAGE CODE	
TOLERANCES UNLESS OTHERWISE SPECIFIED:		WEIGHT		DRAWING NO	
0 PLC ± -		-		A3 00779 C=1734349	
1 PLC ± -		-		RESTRICTED TO	
2 PLC ± -		-		-	
3 PLC ± -		-		SCALE	
4 PLC ± -		-		SHEET 2 OF 2	
ANGLES ± -		CUSTOMER DRAWING		REV B	
FINISH		-		-	