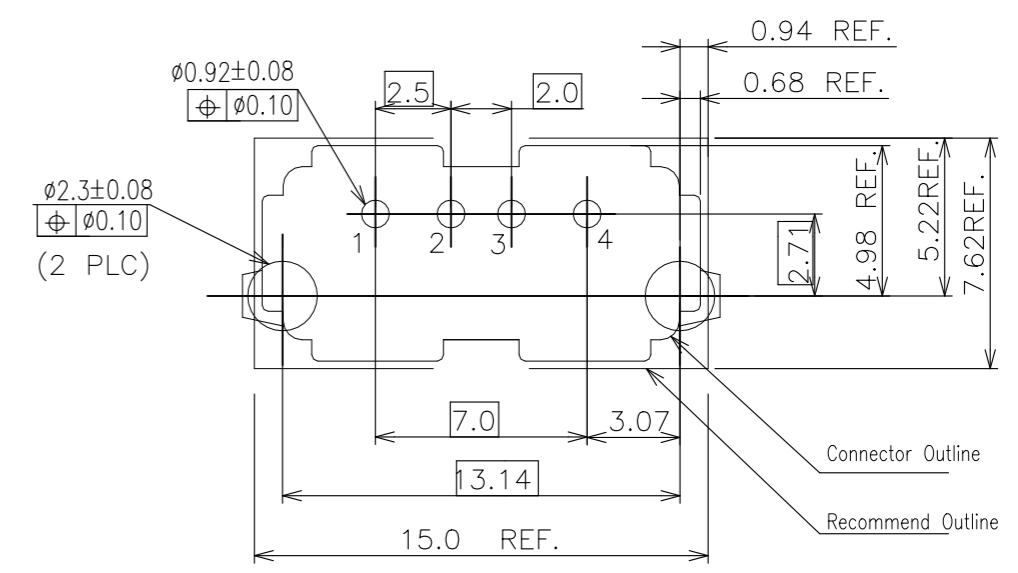
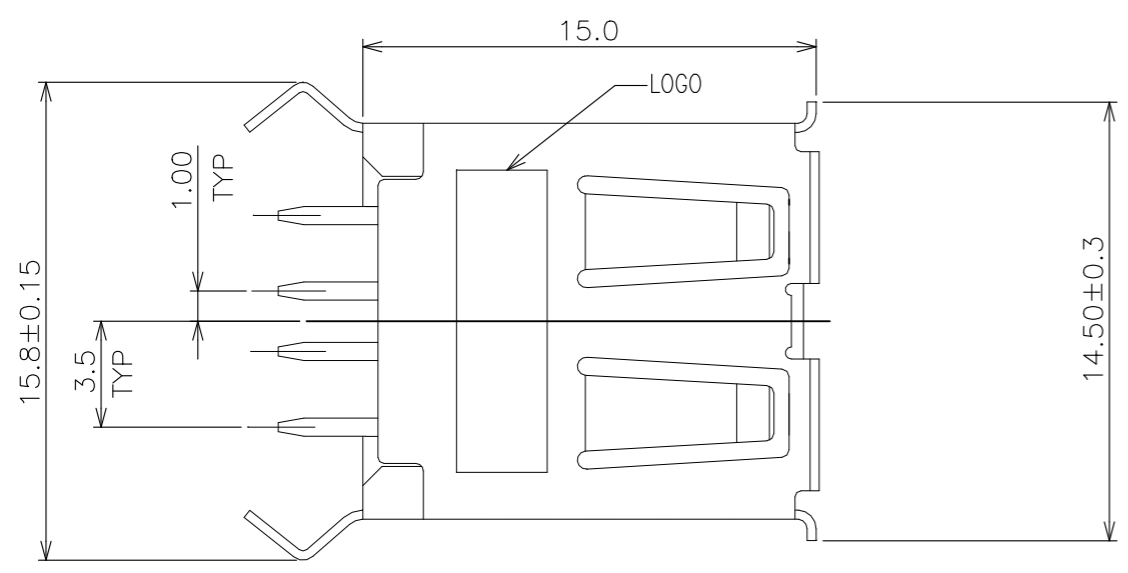
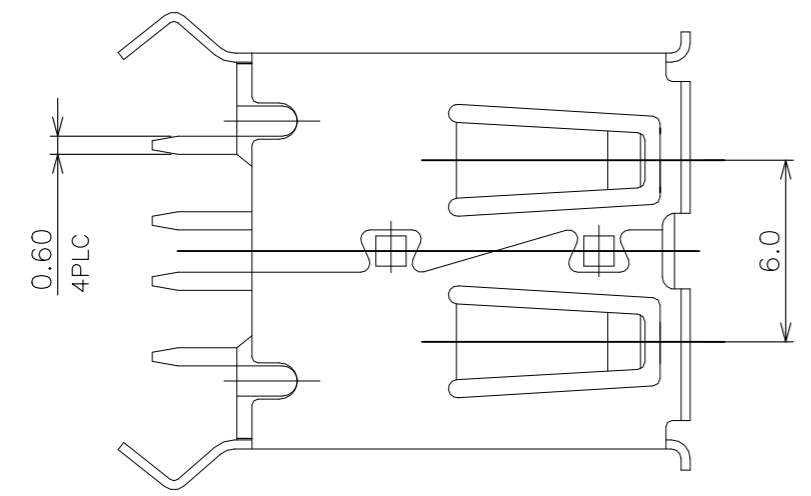
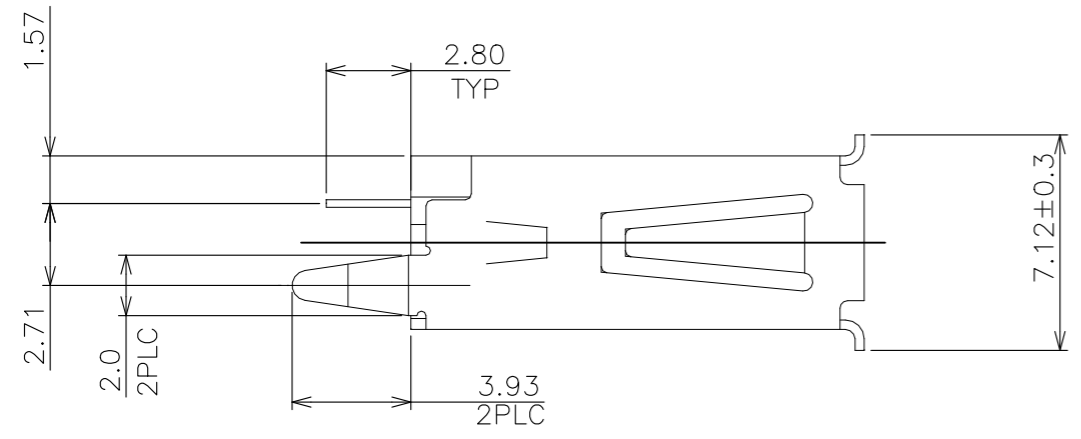
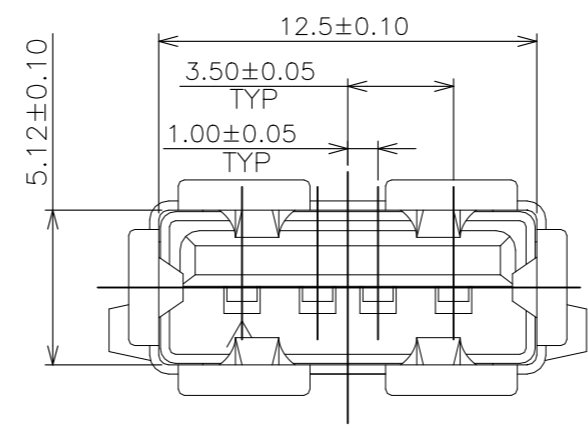


REVISIONS					
P	LTR	DESCRIPTION	DATE	DWN	APVD
E1		REVISED PER ECR-22-159057	23NOV2022	HS	SZ



RECOMMENDED P.C. BOARD LAYOUT (T=1.6)

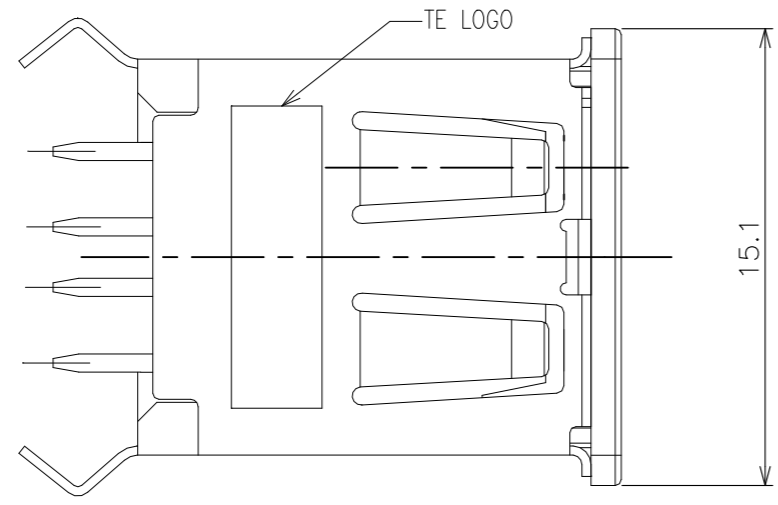
- NOTE:
- MATERIAL:
 - HOUSING: PBT(SOLDER CAPABLE,UL 94-V0,COLOR:SEE TABLE.)
 - HOUSING: PA9T(REFLOW CAPABLE,UL 94-V0,COLOR:SEE TABLE.)
 - CAP: LCP(REFLOW CAPABLE,UL 94-V0,COLOR:BLACK.)
 - BACK STOPPER: PBT(SOLDER CAPABLE,UL 94-V0,COLOR:BLACK.)
 - CONTACT: PHOSPHOR BRONZE, THICKNESS =0.25mm.
 - SHIELD: STAINLESS STEEL, THICKNESS=0.30mm.
 - FINISH:
 - CONTACT:GOLD FLASH OVER
 - 0.762um[30u"]MIN. PALLADIUM-NICKEL OR ALTERNATIVE
 - 0.76mm[30m"] MIN.GOLD PLATED ON CONTACT
 - 2.54um[100u"]MIN. MATTE-TIN ON SOLDER TAILS,
 - 1.27um[50u"]MIN. NICKEL UNDERPLATED ALL OVER.
 - SHIELD: 2.54um [100u"] MIN. TIN PLATED OVER
 - 1.27um [50u"] MIN. NICKEL UNDERPLATED
 - SHIELD: 0.762-2.03um [30-80u"] SOLDERABLE NICKEL OVER 0.762-2.03um [30-80u"] COPPER



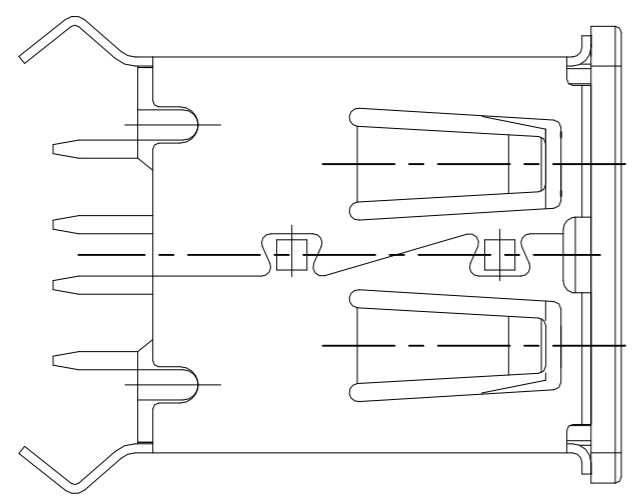
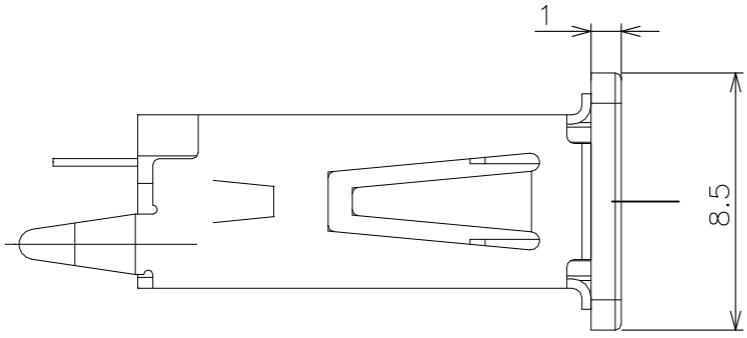
SEE SHEET 4	BLACK	1734366-5	△	△
SEE SHEET 5	BLACK	1734366-4	△	△
	BLUE	1734366-3		
SEE SHEET 4	WHITE	1734366-2	△	△
	BLACK	1734366-1		
PACKING	HSG'S COLOR	PART NUMBER	HOUSING MATERIAL	SHIELD FINISH

THIS DRAWING IS A CONTROLLED DOCUMENT.		DWN S. CHIEN 19SEP2008	TE Connectivity	
		CHK S. CHIEN 19SEP2008		
		APVD W.KODAMA	RECEIPT ASSY,VERTICAL,4POSITION THRU-HOLE,TYPE A USB	
		PRODUCT SPEC 108-57547		
		APPLICATION SPEC 501-57635	SIZE	CAGE CODE
		WEIGHT 1.82 GRAMS	A3	00779
		CUSTOMER DRAWING	DRAWING NO	RESTRICTED TO
			C-1734366	-
			SCALE 1:1	SHEET 1 OF 6
				REV E1

REVISIONS					
P	LTR	DESCRIPTION	DATE	DWN	APVD
-	-	SEE SHEET 1	-	-	-



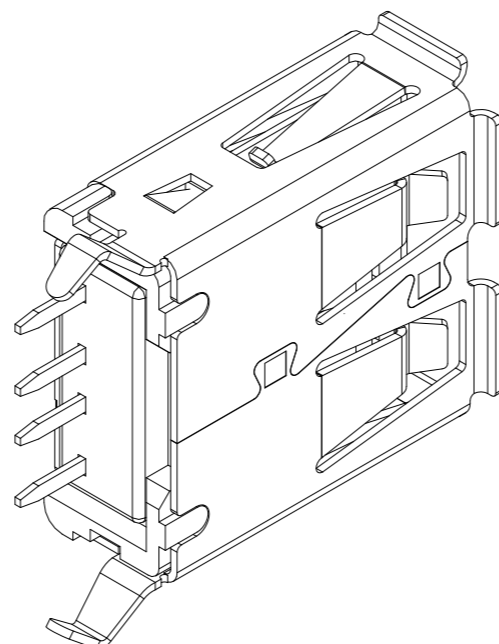
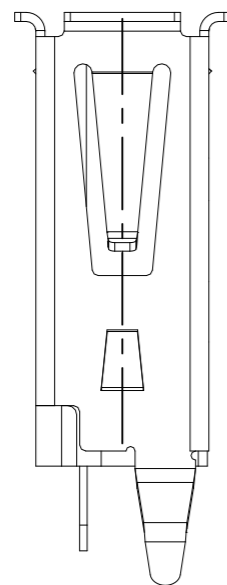
1734366-6 AS SHOW
OTHER DIMENSIONS ARE THE SAME AS SHEET1



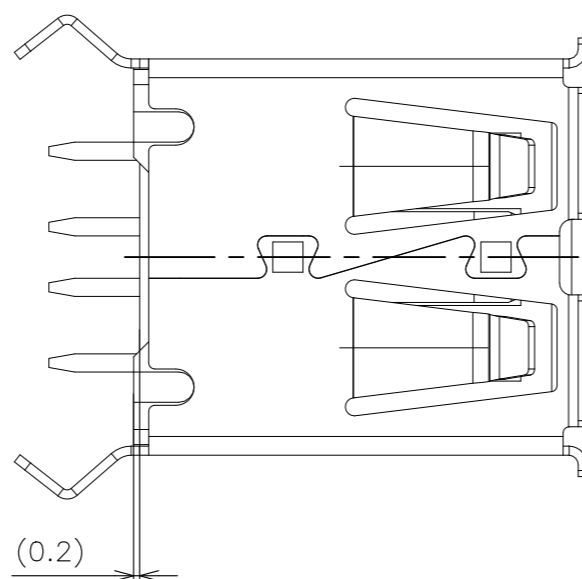
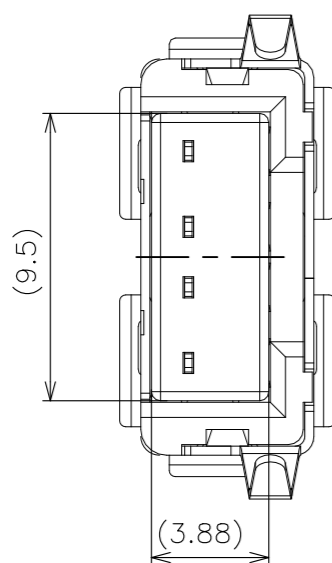
SEE SHEET 6	BLACK	1734366-6	△	△
PACKING	HSG'S COLOR	PART NUMBER	HOUSING MATERIAL	SHIELD FINISH

THIS DRAWING IS A CONTROLLED DOCUMENT.		DWN S. CHIEN 19SEP2008			
		CHK S. CHIEN 19SEP2008			
DIMENSIONS: mm		TOLERANCES UNLESS OTHERWISE SPECIFIED: 0 PLC ± 0.38 1 PLC ± 0.25 2 PLC ± 0.13 3 PLC ± 0.05 4 PLC ± - ANGLES ± 2°		NAME RECEIPT ASSY,VERTICAL,4POSITION THRU-HOLE,TYPE A USB	
		APVD W.KODAMA PRODUCT SPEC 108-57547		SIZE A3	
MATERIAL SEE NOTES		FINISH SEE NOTES		CAGE CODE 00779	
		APPLICATION SPEC 501-57635		DRAWING NO C-1734366	
		WEIGHT 1.82 GRAMS		RESTRICTED TO -	
CUSTOMER DRAWING			SCALE 1:1	SHEET 2 OF 6	REV E1

REVISIONS					
P	LTR	DESCRIPTION	DATE	DWN	APVD
	-	SEE SHEET 1	-	-	-



1734366-7 AS SHOW
OTHER DIMENSIONS ARE THE SAME AS SHEET1



SEE SHEET 4	BLACK	1734366-7	△	△
PACKING	HSG'S COLOR	PART NUMBER	HOUSING MATERIAL	SHIELD FINISH

THIS DRAWING IS A CONTROLLED DOCUMENT.

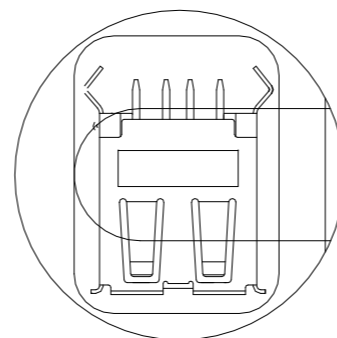
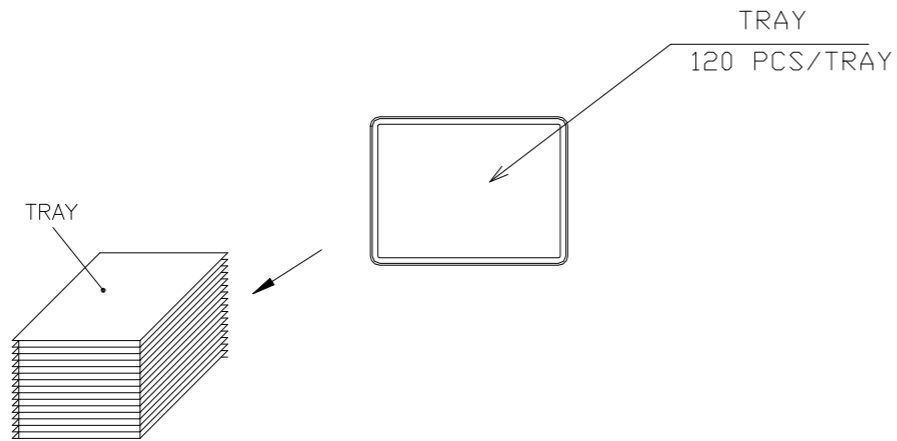
DIMENSIONS: mm	TOLERANCES UNLESS OTHERWISE SPECIFIED:
	0 PLC ± 0.38
	1 PLC ± 0.25
	2 PLC ± 0.13
	3 PLC ± 0.05
	4 PLC ± -
	ANGLES ± 2°
MATERIAL SEE NOTES	FINISH SEE NOTES

DWN S. CHIEN 19SEP2008	TE Connectivity
CHK S. CHIEN 19SEP2008	
APVD W.KODAMA	NAME
PRODUCT SPEC 108-57547	RECEPT ASSY,VERTICAL,4POSITION THRU-HOLE,TYPE A USB
APPLICATION SPEC 501-57635	RESTRICTED TO
WEIGHT 1.82 GRAMS	—
CUSTOMER DRAWING	SCALE 1:1 SHEET 3 OF 6 REV E1

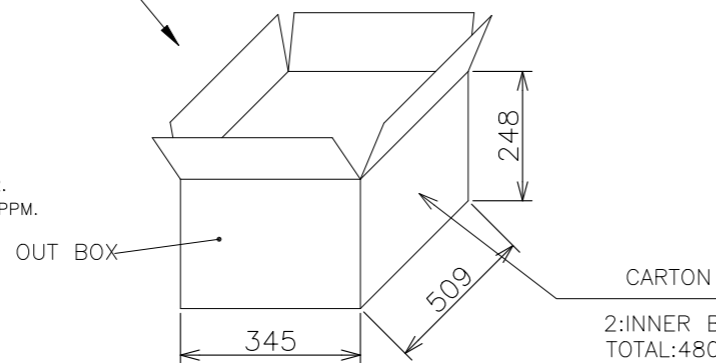
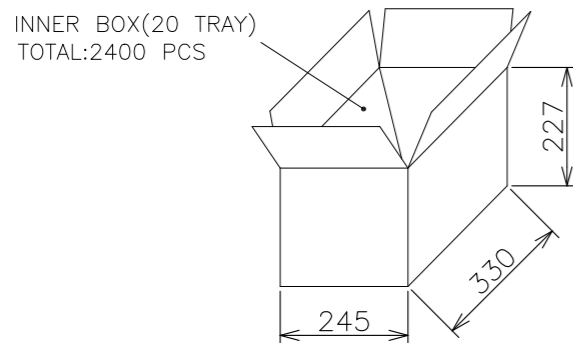
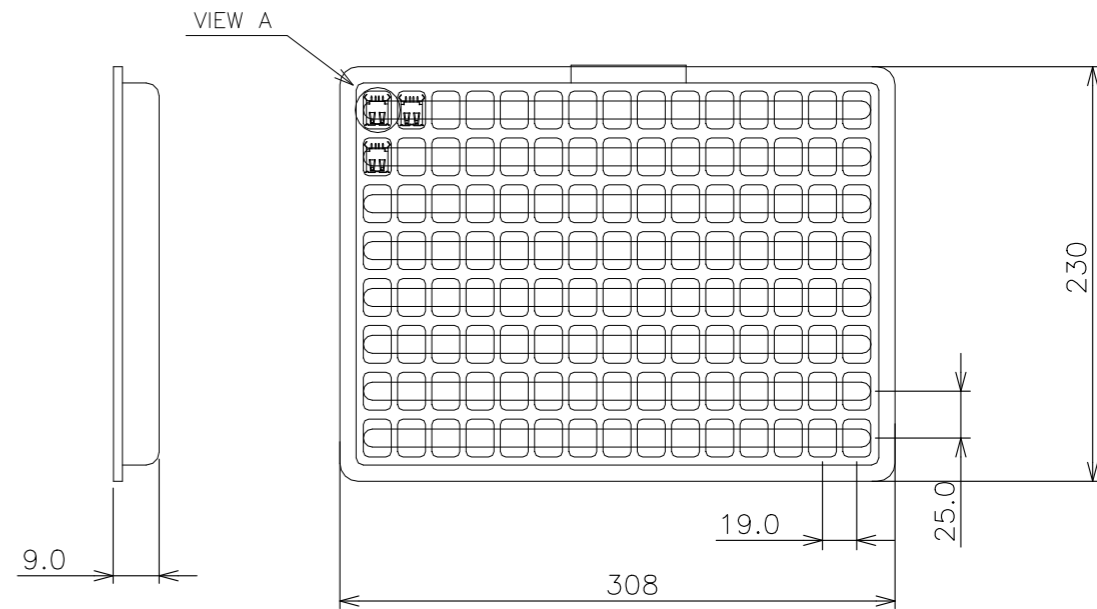
SIZE A3	CAGE CODE 00779	DRAWING NO C-1734366	RESTRICTED TO
------------	--------------------	-------------------------	---------------

REVISIONS					
P	LTR	DESCRIPTION	DATE	DWN	APVD
	-	SEE SHEET 1	-	-	-

USE THE TAPE TO FIX THE TRAY(4X)



VIEW A:



CARTON
 2:INNER BOX/CARTON
 TOTAL:4800PCS
 GROSS WEIGHT:12.2 KGS
 NET WEIGHT:11.2 KGS

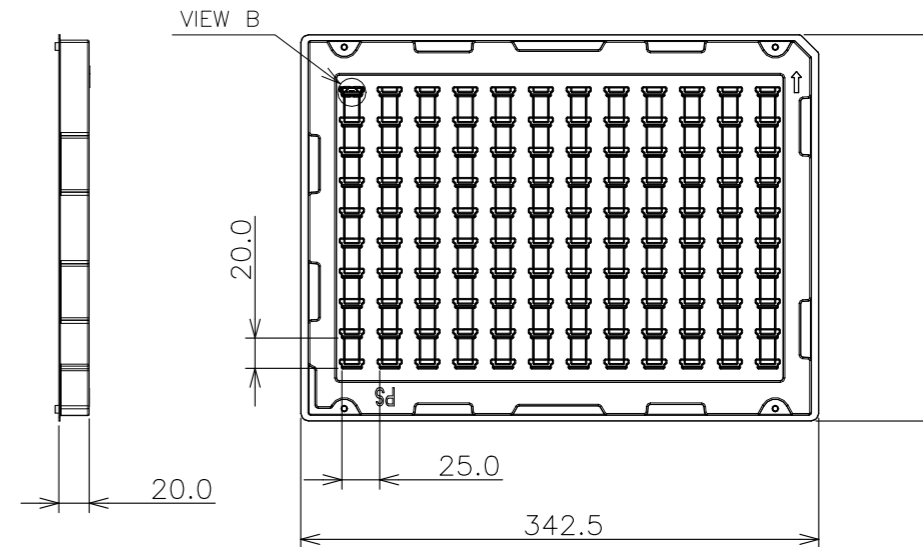
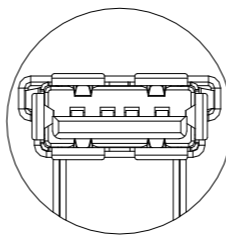
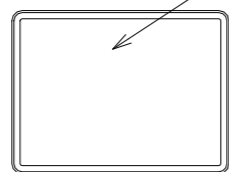
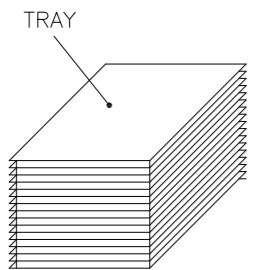
- NOTE :
- PACKAGING MATERIAL IN PLASTIC, RUBBER,INK,PIGMENT AND PAINT
 MUST MEET CONTROLLED SUBSTANCES SPEC PER 230-702.
 * CADMIUM AND CADMIUM COMPOUNDS NOT TO EXCEED:5 PPM.
 * LEAD,CADMIUM,CHROM VI AND MERCURY NOT TO EXCEED:100 PPM(COMBINED).
 - MATERIAL :
 TRAY: PVC, UPPER COVER THICKNE=0.3MM.
 LOWER COVER THICKNE=0.4MM

4800	1734366-7
4800	1734366-5
4800	1734366-2
4800	1734366-1
QTY	PART NUMBER

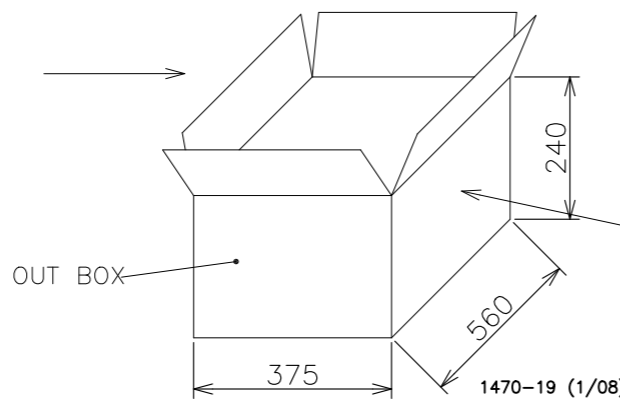
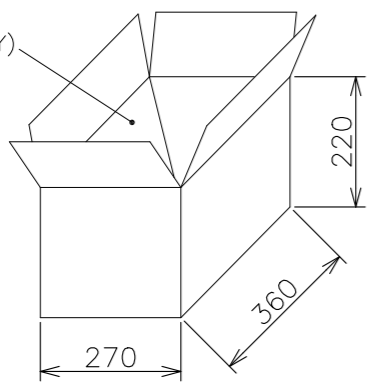
THIS DRAWING IS A CONTROLLED DOCUMENT.		DWN S. CHIEN 19SEP2008	TE Connectivity RECEIPT ASSY,VERTICAL,4POSITION THRU-HOLE,TYPE A USB														
DIMENSIONS: mm		CHK S. CHIEN 19SEP2008				NAME											
TOLERANCES UNLESS OTHERWISE SPECIFIED:		APVD W.KODAMA	PRODUCT SPEC														
<table border="1"> <tr><td>0 PLC</td><td>± 0.38</td></tr> <tr><td>1 PLC</td><td>± 0.25</td></tr> <tr><td>2 PLC</td><td>± 0.13</td></tr> <tr><td>3 PLC</td><td>± 0.05</td></tr> <tr><td>4 PLC</td><td>± -</td></tr> <tr><td>ANGLES</td><td>± 2°</td></tr> </table>		0 PLC	± 0.38	1 PLC	± 0.25	2 PLC	± 0.13	3 PLC	± 0.05	4 PLC	± -	ANGLES	± 2°	APPLICATION SPEC 108-57547	RESTRICTED TO		
0 PLC	± 0.38																
1 PLC	± 0.25																
2 PLC	± 0.13																
3 PLC	± 0.05																
4 PLC	± -																
ANGLES	± 2°																
MATERIAL SEE NOTES		FINISH SEE NOTES	501-57635	SIZE A3	CAGE CODE 00779												
		WEIGHT 1.82 GRAMS	DRAWING NO C-1734366		REV E1												
CUSTOMER DRAWING			SCALE 1:1	SHEET 4 OF 6													

REVISIONS					
P	LTR	DESCRIPTION	DATE	DWN	APVD
-	-	SEE SHEET 1	-	-	-

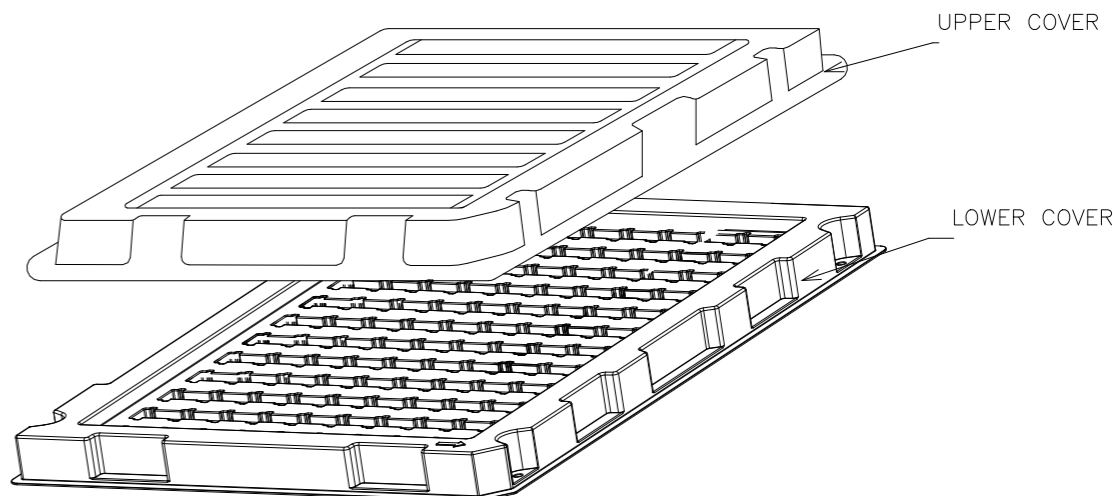
USE THE TAPE TO FIX THE TRAY(4X)



INNER BOX(10 TRAY)
TOTAL:1200 PCS



CARTON
20 TRAYS/CARTON
TOTAL:2400PCS
GROSS WEIGHT:7.2KGS
NET WEIGHT:5.6KGS

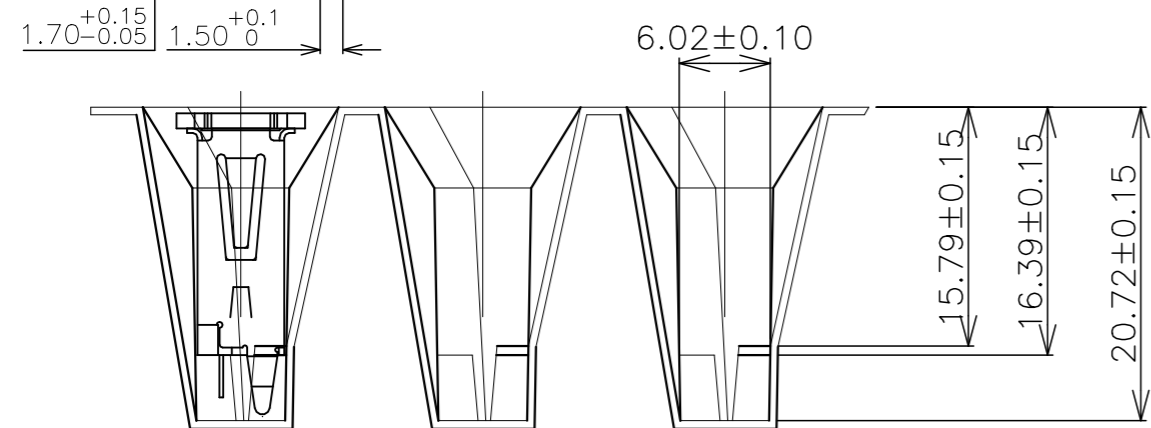
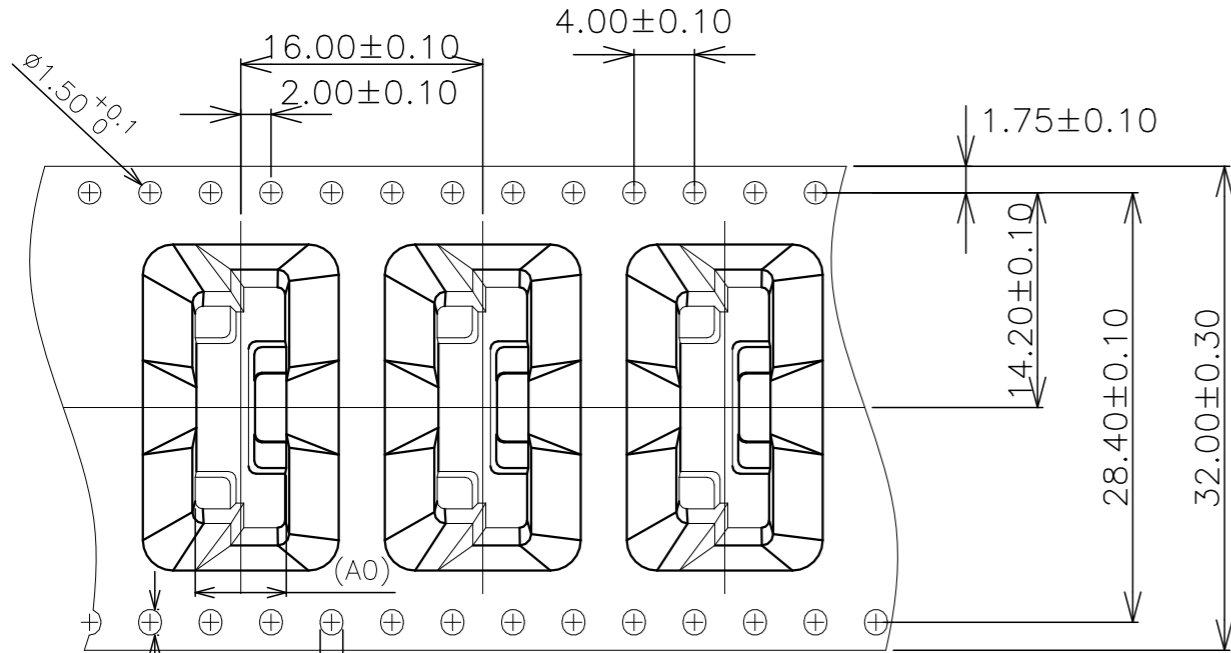


- NOTE :
- PACKAGING MATERIAL IN PLASTIC, RUBBER,INK,PIGMENT AND PAINT
MUST MEET CONTROLLED SUBSTANCES SPEC PER 230-702.
* CADMIUM AND CADMIUM COMPOUNDS NOT TO EXCEED:5 PPM.
* LEAD,CADMIUM,CHROM VI AND MERCURY NOT TO EXCEED:100 PPM(COMBINED).
 - MATERIAL :
TRAY: PS, UPPER COVER THICKNE=0.5MM.
LOWER COVER THICKNE=0.7MM

2400	1734366-4
2400	1734366-3
QTY	PART NUMBER

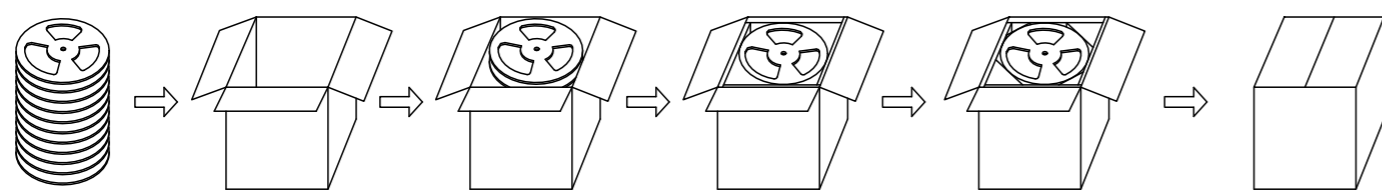
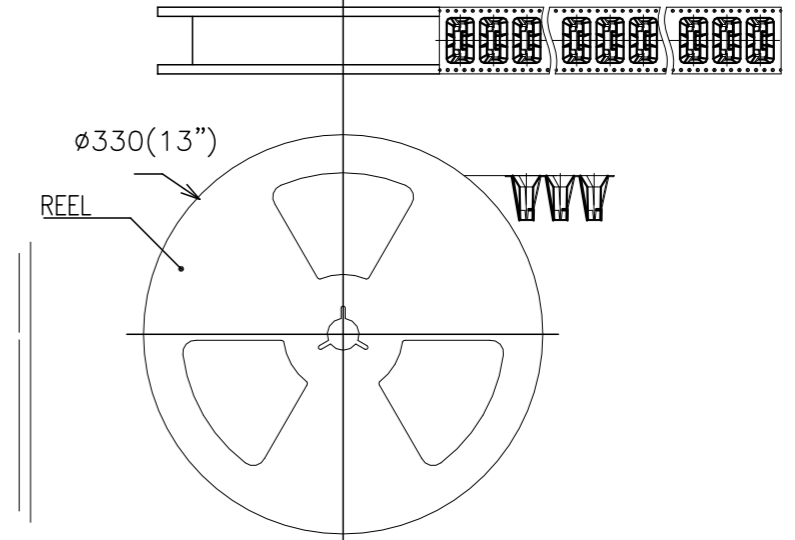
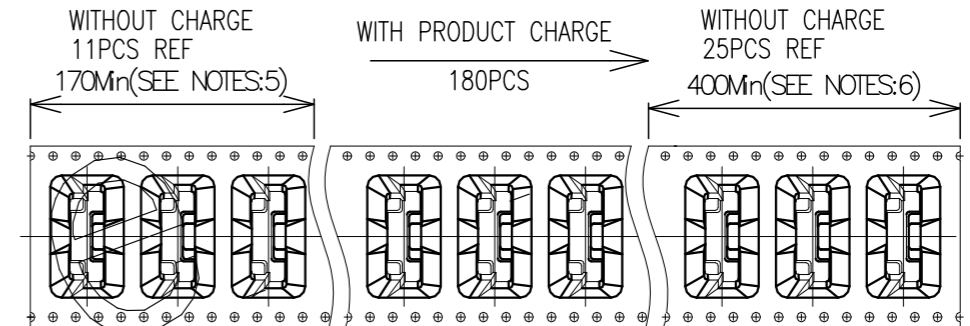
THIS DRAWING IS A CONTROLLED DOCUMENT.		DWN S. CHIEN 19SEP2008	TE Connectivity		
DIMENSIONS: mm		CHK S. CHIEN 19SEP2008			
TOLERANCES UNLESS OTHERWISE SPECIFIED:		APVD W.KODAMA	NAME		
0 PLC ± 0.38 1 PLC ± 0.25 2 PLC ± 0.13 3 PLC ± 0.05 4 PLC ± - ANGLES ± 2°		PRODUCT SPEC 108-57547	RECEIPT ASSY,VERTICAL,4POSITION THRU-HOLE,TYPE A USB		
MATERIAL SEE NOTES		APPLICATION SPEC 501-57635	SIZE A3	CAGE CODE 00779	DRAWING NO C-1734366
FINISH SEE NOTES		WEIGHT 1.82 GRAMS	RESTRICTED TO -		
CUSTOMER DRAWING			SCALE 1:1	SHEET 5 OF 6	REV E1

P	LTR	DESCRIPTION	DATE	DWN	APVD
-	-	SEE SHEET 1	-	-	-



NOTE :

1. PACKAGING MATERIAL IN PLASTIC, RUBBER, INK, PIGMENT AND PAINT
MUST MEET CONTROLLED SUBSTANCES SPEC PER 230-702.
* CADMIUM AND CADMIUM COMPOUNDS NOT TO EXCEED: 5 PPM.
* LEAD, CADMIUM, CHROM VI AND MERCURY NOT TO EXCEED: 100 PPM (COMBINED).
2. MATERIAL :
REEL: BLACK CONDUCTIVE POLYSTYRENE ALLOY



OUT BOX PACKAGE DIAGEAM DRAWING

1440	1734366-6
QTY	PART NUMBER

THIS DRAWING IS A CONTROLLED DOCUMENT.		DWN S. CHIEN 19SEP2008	TE Connectivity RECEIPT ASSY, VERTICAL, 4 POSITION THRU-HOLE, TYPE A USB		
DIMENSIONS: mm		CHK S. CHIEN 19SEP2008			
TOLERANCES UNLESS OTHERWISE SPECIFIED:		APVD W. KODAMA	NAME		
0 PLC ± 0.38		PRODUCT SPEC	108-57547		
1 PLC ± 0.25		APPLICATION SPEC	501-57635		
2 PLC ± 0.13		WEIGHT	1.82 GRAMS	SIZE	A3
3 PLC ± 0.05		CAGE CODE	00779	DRAWING NO	C-1734366
4 PLC ± -		RESTRICTED TO	-		
ANGLES ± 2°		SCALE	1:1	SHEET	6 OF 6
MATERIAL SEE NOTES		FINISH SEE NOTES	REV E1		
		CUSTOMER DRAWING			