

THIS DRAWING IS UNPUBLISHED.

RELEASED FOR PUBLICATION

© COPYRIGHT 2010 BY TYCO ELECTRONICS CORPORATION. ALL RIGHTS RESERVED.

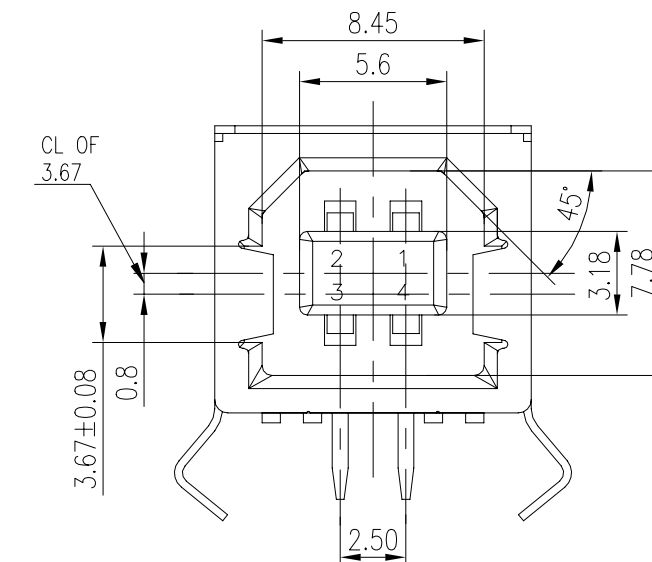
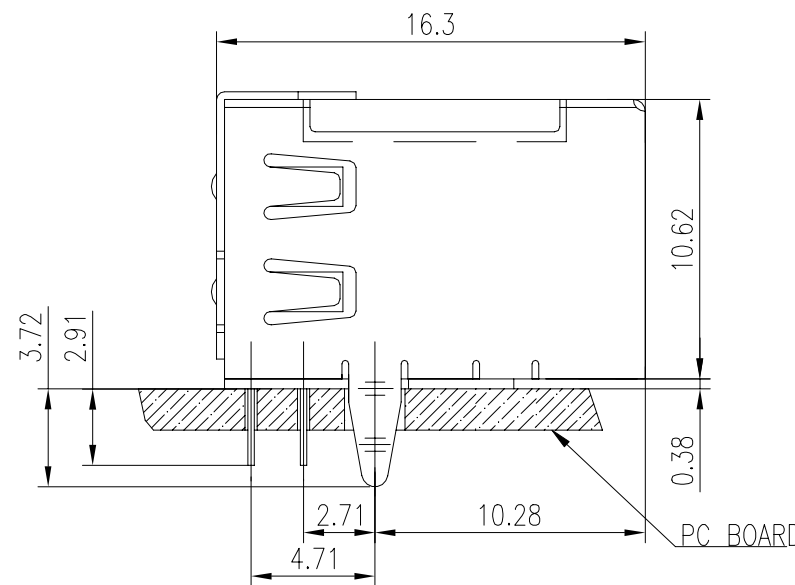
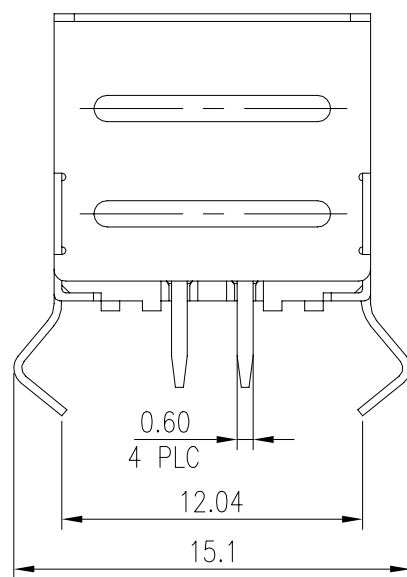
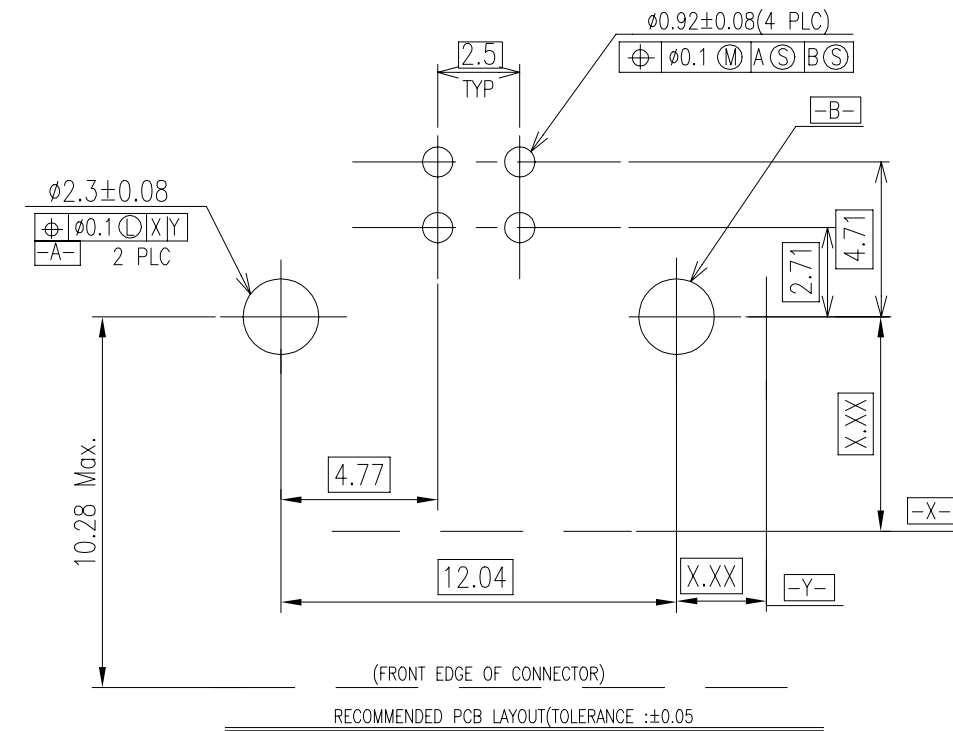
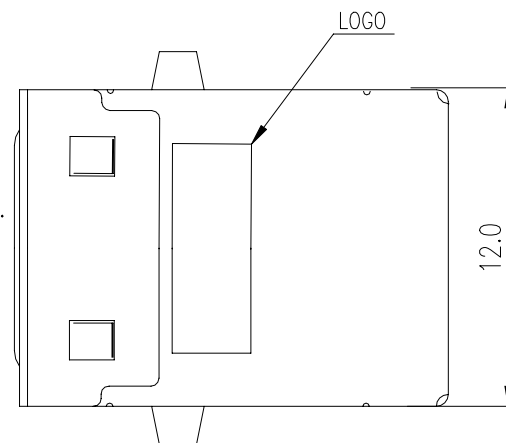
LOC DW DIST

REVISIONS

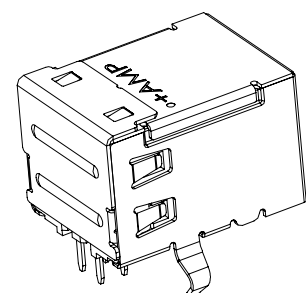
P	LTR	DESCRIPTION	DATE	DWN	APVD
B		REVISED PER ECN-22-168605	17AUG2022	AK	SZ

NOTE:

- MATERIAL:
HOUSING: THERMOPLASTIC (SEE TABLE), UL 94V-0.
COLOR:(SEE TABLE).
CONTACT: PHOSPHOR BRONZE, THICKNESS=0.25mm.
SHELL: PHOSPHOR BRONZE THICKNESS: 0.30mm.
BACK SHELL: STAINLESS STEEL, THICKNESS: 0.30mm.
 - FINISH:
CONTACTS: GOLD FLASH OVER
30u" MIN. PALLADIUM-NICKEL PLATED ON CONTACT AREA,
100u" MIN. MATTE-TIN ON SOLDER TAILS,
50u" MIN. NICKEL UNDERPLATED ALL OVER.
SHELL: 100u" MIN. BRIGHT TIN OVER 50u" MIN. NICKEL UNDERPLATED.
- ⚠ WAVE SOLDER CAPABLE TO 265°C PER TE SPEC 109-202, CONDITION B,
⚠ REFLOW SOLDER CAPABLE TO 260°C PER TE SPEC 109-201, CONDITION B,



⚠	HIGH TEMP, THERMOPLASTIC	NATURAL/WHITE	4-1734376-8
⚠	THERMOPLASTIC	WHITE	4-1734376-7
SOLDERING PROCESS	HOUSING MATERIAL	COLOR	PART NUMBER



DIMENSIONS:		TOLERANCES UNLESS OTHERWISE SPECIFIED:	
mm		0 PLC	± 0.38
		1 PLC	± 0.25
		2 PLC	± 0.13
		3 PLC	± 0.05
		4 PLC	± -
		ANGLES	± -
MATERIAL	FINISH		
SEE NOTE	SEE NOTE		

DWN	O. HU	01JUN2005			
CHK	S. HOU	01JUN2005			
APVD	W.J. KE	01JUN2005			
PRODUCT SPEC	108-57538				
APPLICATION SPEC			NAME		
			UBS CONN, SERIES B, A4P, R/A, THRU HOLE, W/ BACK SHELL		
WEIGHT	3.89 GRAMS	SIZE	A3	CAGE CODE	00779
CUSTOMER DRAWING		DRAWING NO	C=1734376		
		SCALE	SHEET 1 OF 2		
		REV	B		

4

3

2

1

THIS DRAWING IS UNPUBLISHED.

RELEASED FOR PUBLICATION

- , - .

© COPYRIGHT 2010 BY TYCO ELECTRONICS CORPORATION. ALL RIGHTS RESERVED.

LOC

DIST

REVISIONS

DW

P

LTR

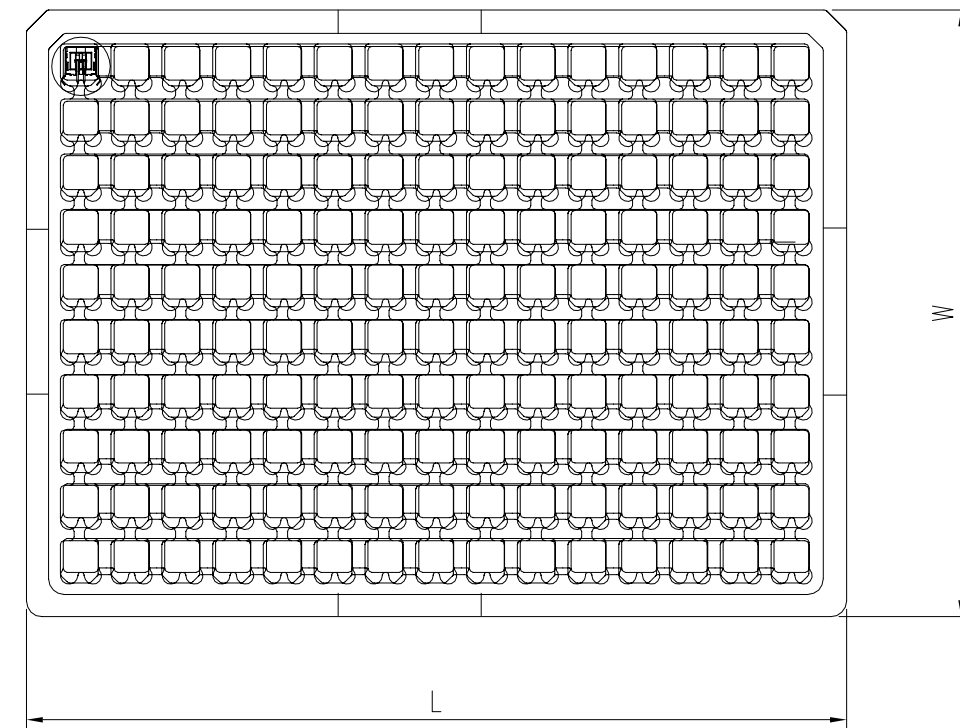
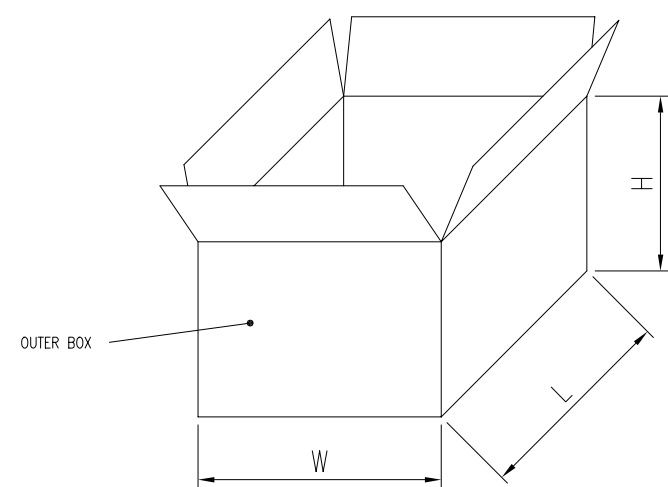
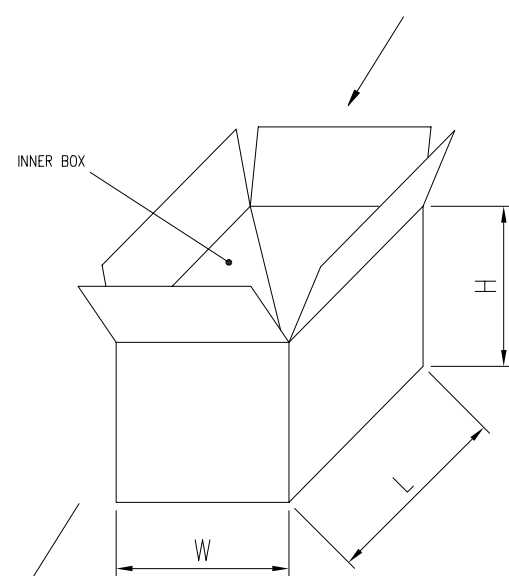
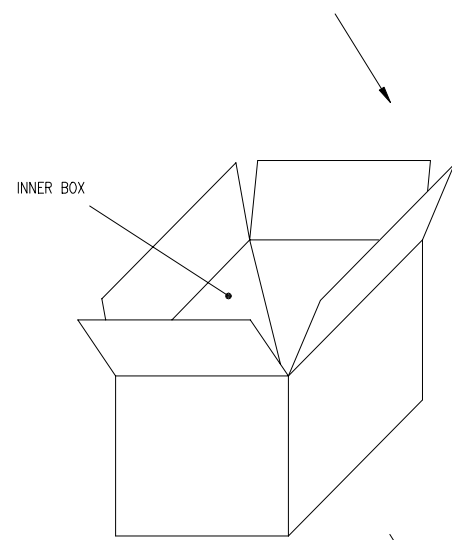
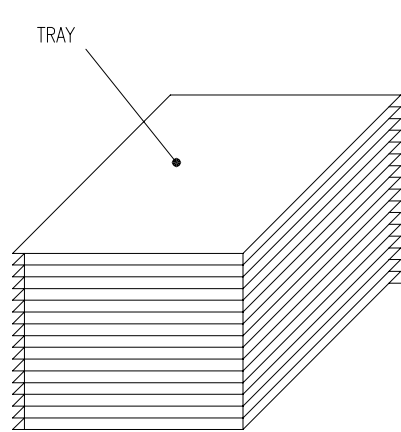
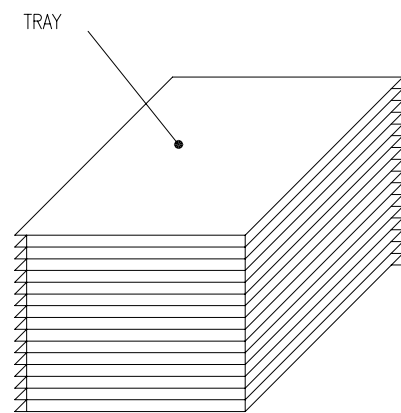
DESCRIPTION

DATE

DWN

APVD

SEE SHEEL 1.



NOTE:

- MATERIAL:
 - TRAY : PS.
 - INNER BOX : CORRUGATED FIBERBOARD.
 - SHIPPING CARTON : CORRUGATED FIBERBOARD.
- DIMENSION:
 - TRAY : L=315, W=230, H=18mm.
 - INNER BOX : L=330, W=245, H=227mm.
 - SHIPPING CARTON : L=509, W=345, H=248mm.
- QUANTITY:
 - PRIMARY PACKING : 150 PCS/TRAY.
 - SECONDARY PACKING : 12 TRAY/CARTON(1,800PCS).
 - THIRDLY PACKING : 2 INNER BOX/CARTON(3,600PCS).
- WEIGHT:
 - NET WEIGHT : 9.0kg.
 - GROSS WEIGHT : 10.0kg.

THIS DRAWING IS A CONTROLLED DOCUMENT.		DWN				
DIMENSIONS: mm		CHK				
TOLERANCES UNLESS OTHERWISE SPECIFIED:		APVD	NAME			
0 PLC ± - 1 PLC ± - 2 PLC ± - 3 PLC ± - 4 PLC ± - ANGLES ± -		PRODUCT SPEC	UBS CONN, SERIES B, A4P, R/A, THRU HOLE, W/ BACK SHELL			
MATERIAL		APPLICATION SPEC	SIZE	CAGE CODE	DRAWING NO	RESTRICTED TO
SEE NOTE		WEIGHT	A3	00779	1734376	-
FINISH		CUSTOMER DRAWING	SCALE	SHEET	REV	
SEE NOTE			-	2 OF 2	B	