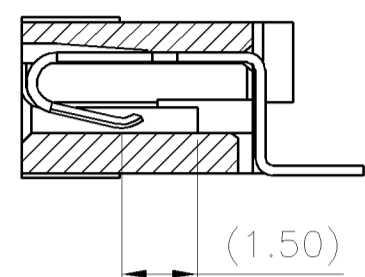
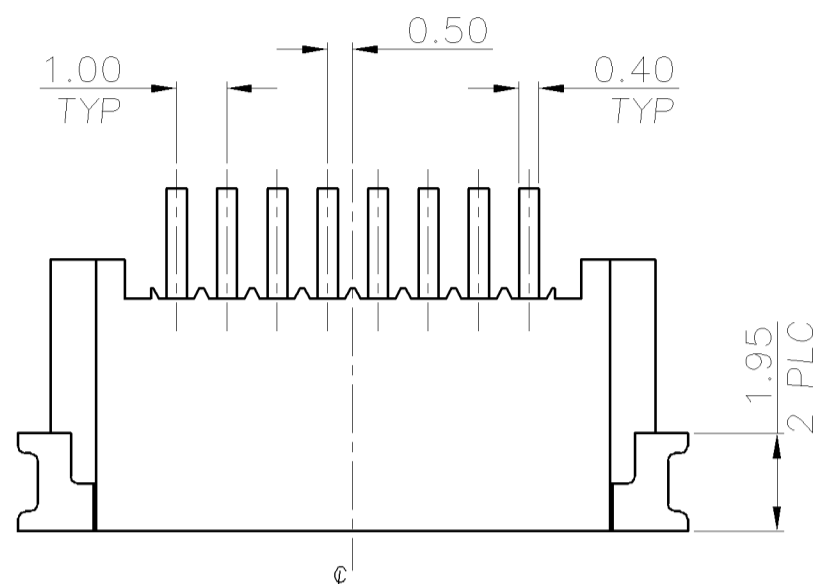
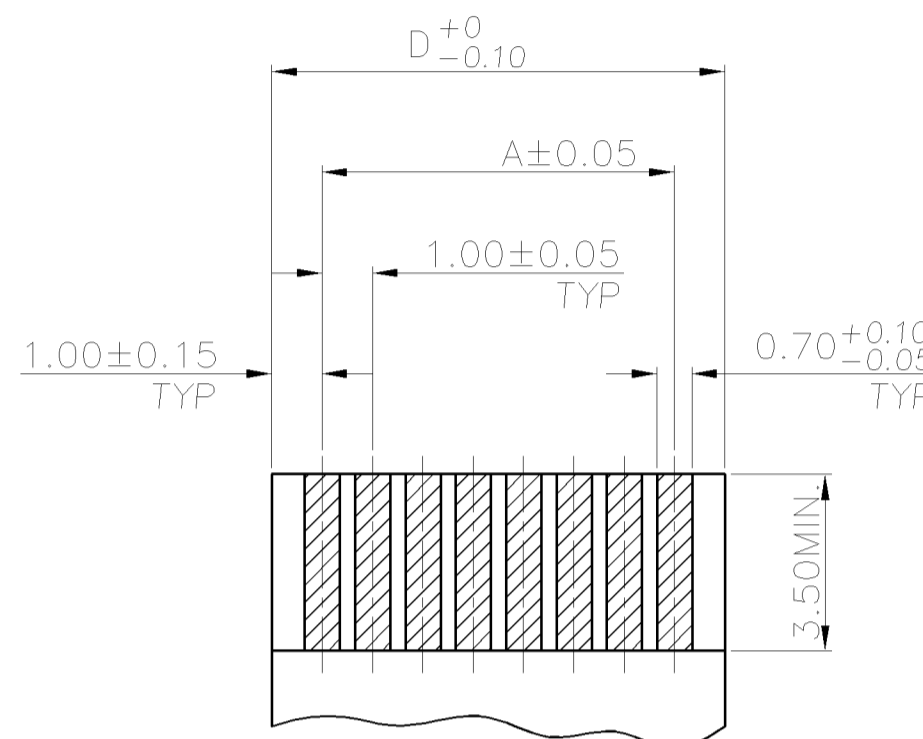


THIS DRAWING IS UNPUBLISHED. RELEASED FOR PUBLICATION
 © COPYRIGHT BY TYCO ELECTRONICS CORPORATION. ALL RIGHTS RESERVED.

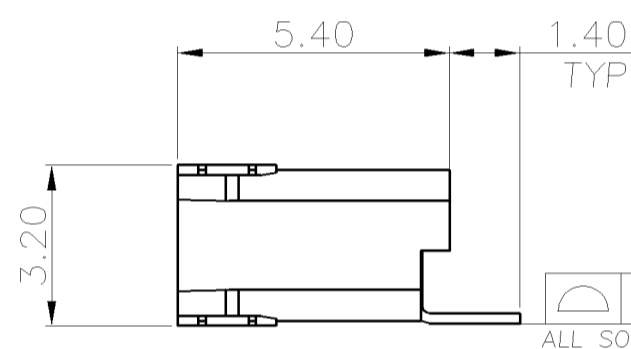
LOC DW	DIST —	REVISIONS			
P	LTR	DESCRIPTION	DATE	DWN	APVD
	B	OBSOLETE	09DEC2015	H.X	W.H



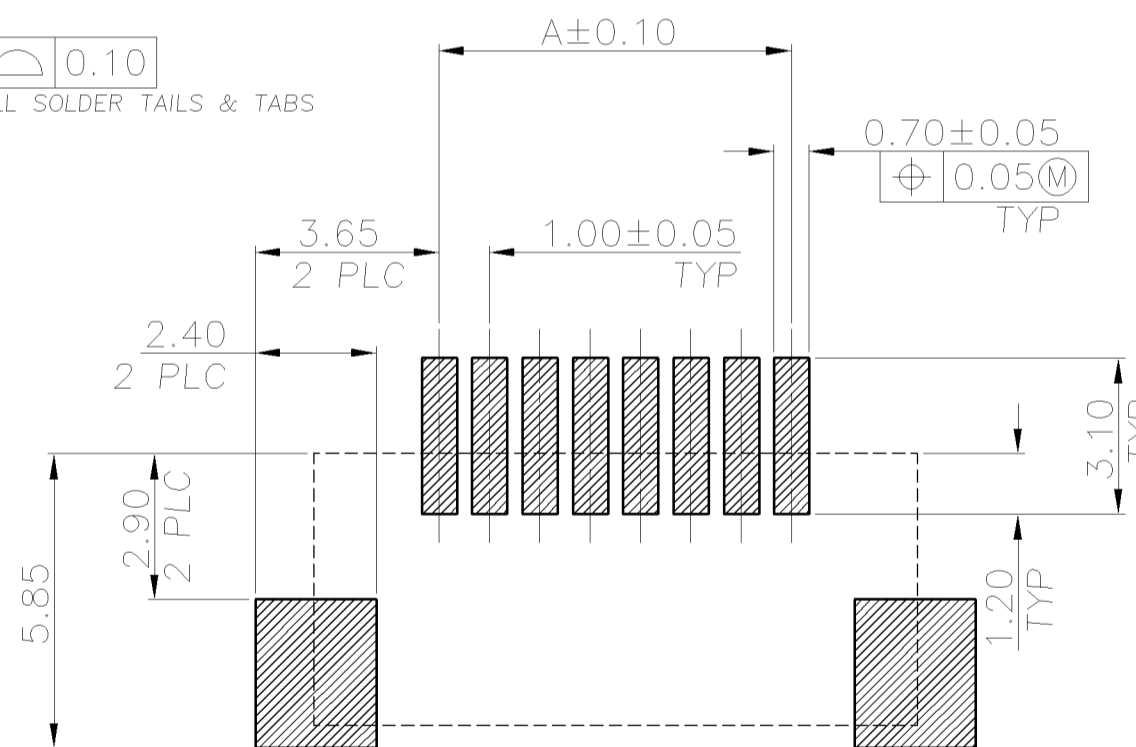
SECTION A-A



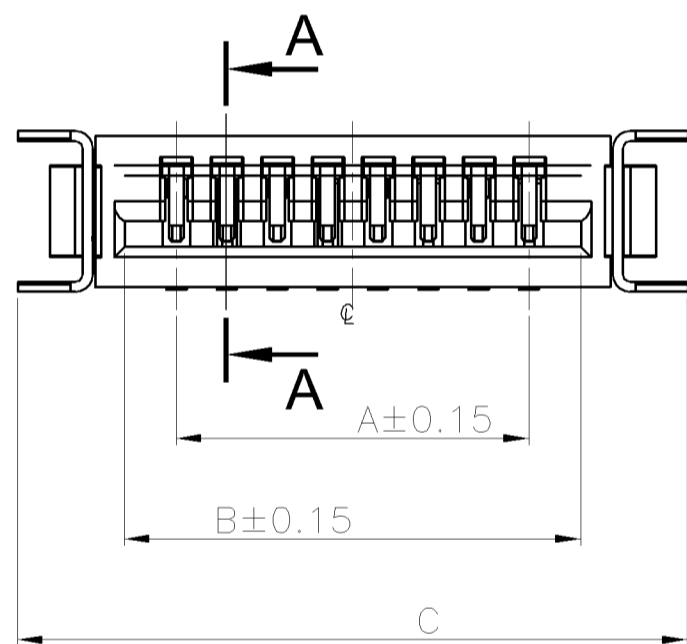
APPLICABLE FFC/FPC RECOMMENDED DIMENSION THICKNESS=0.30±0.05



0.10
ALL SOLDER TAILS & TABS



RECOMMENDED PCB LAYOUT



OBSOLETE

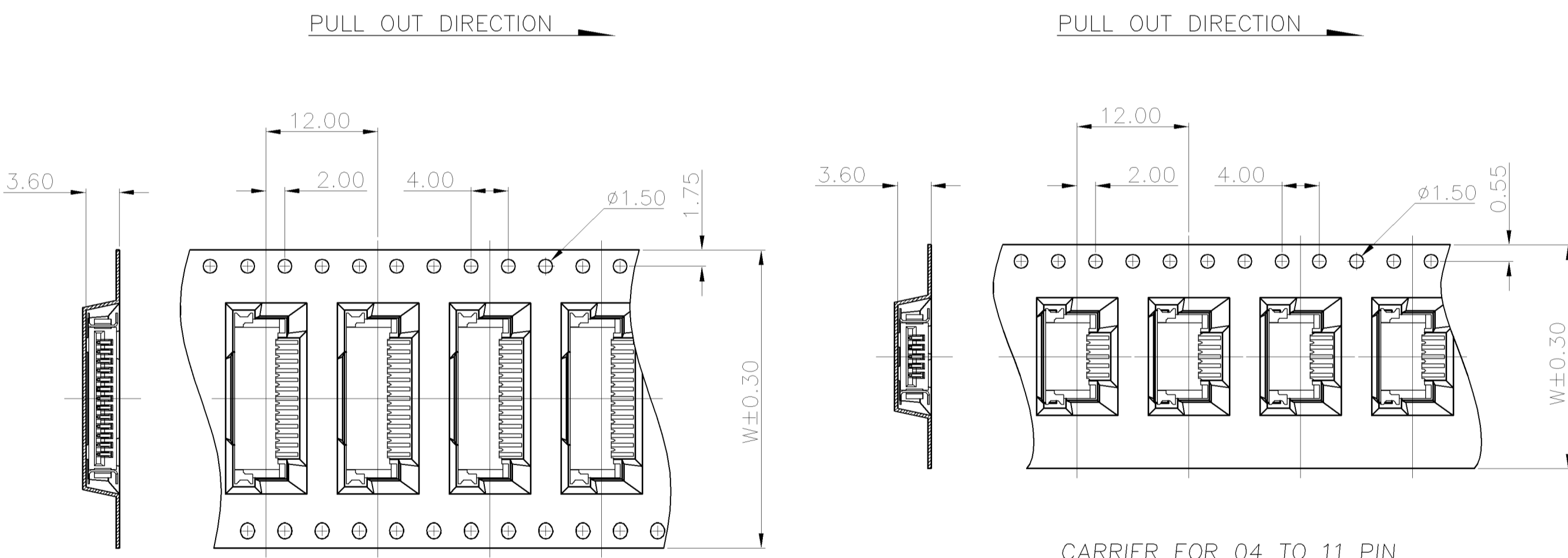
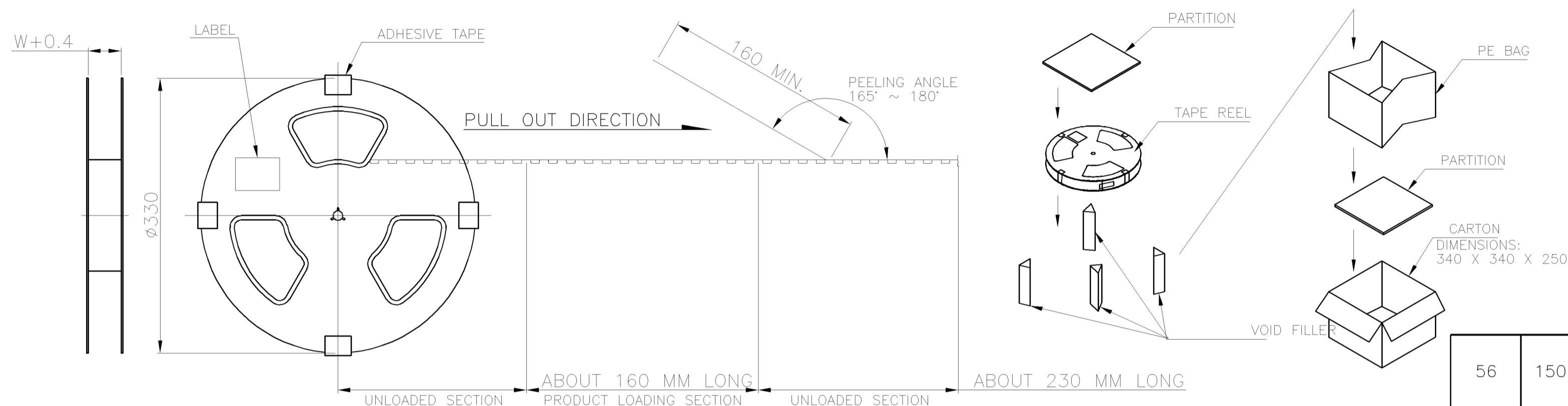
0.77g	31.00	35.31	31.05	29.00	30	3-1734797-0
0.76g	30.00	34.31	30.05	28.00	29	2-1734797-9
0.73g	29.00	33.31	29.05	27.00	28	2-1734797-8
0.70g	28.00	32.31	28.05	26.00	27	2-1734797-7
0.68g	27.00	31.31	27.05	25.00	26	2-1734797-6
0.65g	26.00	30.31	26.05	24.00	25	2-1734797-5
0.63g	25.00	29.31	25.05	23.00	24	2-1734797-4
0.60g	24.00	28.31	24.05	22.00	23	2-1734797-3
0.57g	23.00	27.31	23.05	21.00	22	2-1734797-2
0.55g	22.00	26.31	22.05	20.00	21	2-1734797-1
0.52g	21.00	25.31	21.05	19.00	20	2-1734797-0
0.49g	20.00	24.31	20.05	18.00	19	1-1734797-9
0.47g	19.00	23.31	19.05	17.00	18	1-1734797-8
0.44g	18.00	22.31	18.05	16.00	17	1-1734797-7
0.42g	17.00	21.31	17.05	15.00	16	1-1734797-6
0.39g	16.00	20.31	16.05	14.00	15	1-1734797-5
0.36g	15.00	19.31	15.05	13.00	14	1-1734797-4
0.34g	14.00	18.31	14.05	12.00	13	1-1734797-3
0.31g	13.00	17.31	13.05	11.00	12	1-1734797-2
0.29g	12.00	16.31	12.05	10.00	11	1-1734797-1
0.26g	11.00	15.31	11.05	9.00	10	1-1734797-0
0.23g	10.00	14.31	10.05	8.00	09	1734797-9
0.21g	9.00	13.31	9.05	7.00	08	1734797-8
0.18g	8.00	12.31	8.05	6.00	07	1734797-7
0.16g	7.00	11.31	7.05	5.00	06	1734797-6
0.13g	6.00	10.31	6.05	4.00	05	1734797-5
0.10g	5.00	9.31	5.05	3.00	04	1734797-4
WEIGHT	D	C	B	A	NO. OF CONTACTS	PART NUMBER
	DIMENSIONS					

- NOTE:
- MATERIAL:
HOUSING: PA9T WITH 33% GF, UL 94V-0, BLACK COLOR.
CONTACTS: PHOSPHOR BRONZE.
TABS: BRASS.
 - FINISH:
CONTACTS: 2.54μm [100μ"] MIN. MATTE-TIN
OVER 1.27μm [50μ"] MIN. NICKEL UNDERPLATED.
TABS: 2.54μm [100μ"] MIN. MATTE-TIN OVER
1.27μm [50μ"] MIN. NICKEL UNDERPLATED.
 - REFLOW SOLDER CAPABLE TO 260°C PER TYCO TEST SPEC.
109-201, CONDITION B.

THIS DRAWING IS A CONTROLLED DOCUMENT.		DWN H. HUANG 06MAR2007	Tyco Holdings (Bermuda) VII Ltd. Taiwan Branch	
DIMENSIONS: MM		CHK S. HOU 06MAR2007	NAME	
TOLERANCES UNLESS OTHERWISE SPECIFIED:		APVD W.J. KE 06MAR2007	FPC CONNECTOR, 1.0 PITCH, NON-ZIF SMT, SIDE ENTRY, TOP CONTACT	
0 PLC ± 0.50 1 PLC ± 0.38 2 PLC ± 0.25 3 PLC ± 0.15 4 PLC ± - ANGLES ± -		PRODUCT SPEC 108-57354	SIZE	
MATERIAL SEE NOTE		QUALIFICATION TEST REPORT 501-57449	CAGE CODE A300779	DRAWING NO C-1734797
FINISH SEE NOTE		WEIGHT SEE TABLE	RESTRICTED TO	
CUSTOMER DRAWING		SCALE —	SHEET 1 OF 2	REV B

THIS DRAWING IS UNPUBLISHED. RELEASED FOR PUBLICATION
 © COPYRIGHT BY TYCO ELECTRONICS CORPORATION. ALL RIGHTS RESERVED.

LOC DW	DIST —	REVISIONS		
P	LTR	DESCRIPTION	DATE	DWN
		SEE SHEET 1.		APVD



CARRIER FOR 12 TO 30 PIN

CARRIER FOR 04 TO 11 PIN

56	1500	3	4500	5.55	3.47	30
				5.46	3.42	29
				5.33	3.38	28
				6.38	4.20	27
				6.26	4.08	26
				6.14	3.90	25
				5.96	3.78	24
				5.84	3.60	23
				5.72	3.42	22
44	1500	4	6000	5.54	3.30	21
				5.42	3.12	20
				5.30	2.94	19
				5.18	2.82	18
				5.00	2.64	17
				4.88	2.52	16
				6.65	3.51	15
				6.47	3.24	14
32	1500	6	9000	6.20	3.06	13
				6.02	2.79	12
				6.52	3.05	11
				6.31	2.73	10
				5.99	2.41	9
				5.78	2.21	8
24	1500	7	10500	5.57	1.89	7
				5.36	1.68	6
				5.17	1.37	5
				4.84	1.05	4

DIM W	PCS/TAPE	REELS/CARTON	QUANTITY (PCS)	G/W (Kg)	N/W (Kg)	NO. OF CONTACTS
-------	----------	--------------	----------------	----------	----------	-----------------

THIS DRAWING IS A CONTROLLED DOCUMENT.		DWN H. HUANG 06MAR2007	tyco Tyco Holdings (Bermuda)			
DIMENSIONS: MM		CHK S. HOU 06MAR2007	Electronics VII Ltd. Taiwan Branch			
TOLERANCES UNLESS OTHERWISE SPECIFIED:		APVD W.J. KE 06MAR2007	NAME			
0 PLC ± -		PRODUCT SPEC	FPC CONNECTOR, 1.0 PITCH, NON-ZIF SMT, SIDE ENTRY, TOP CONTACT			
1 PLC ± -		APPLICATION SPEC	SIZE CAGE CODE DRAWING NO RESTRICTED TO			
2 PLC ± -		WEIGHT	A3 00779 C=1734797			
3 PLC ± -		CUSTOMER DRAWING	SCALE SHEET 2 OF 2 REV B			
4 PLC ± -						
ANGLES ± -						
FINISH						