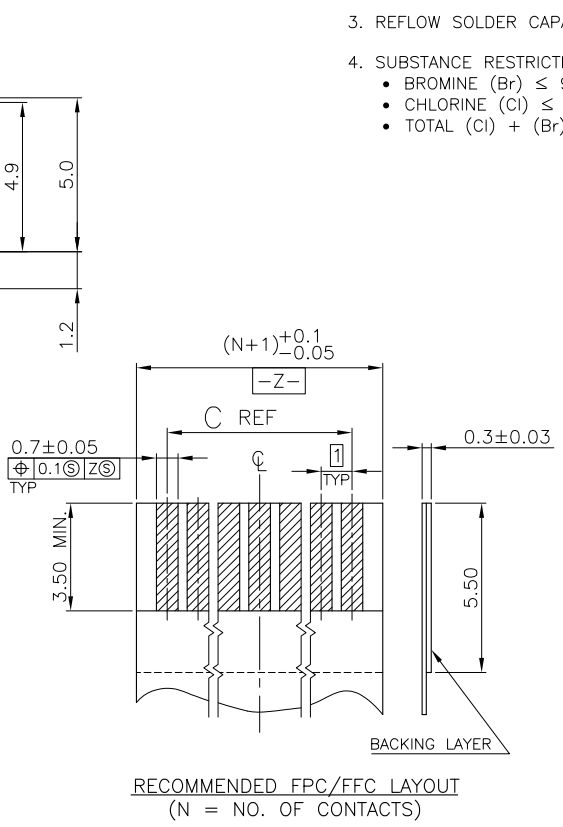
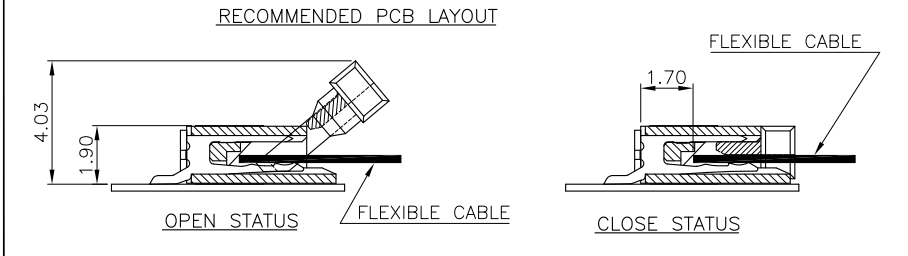
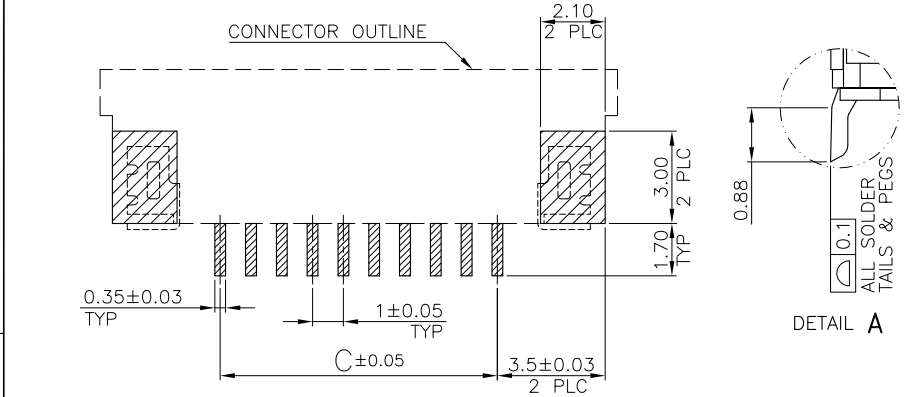
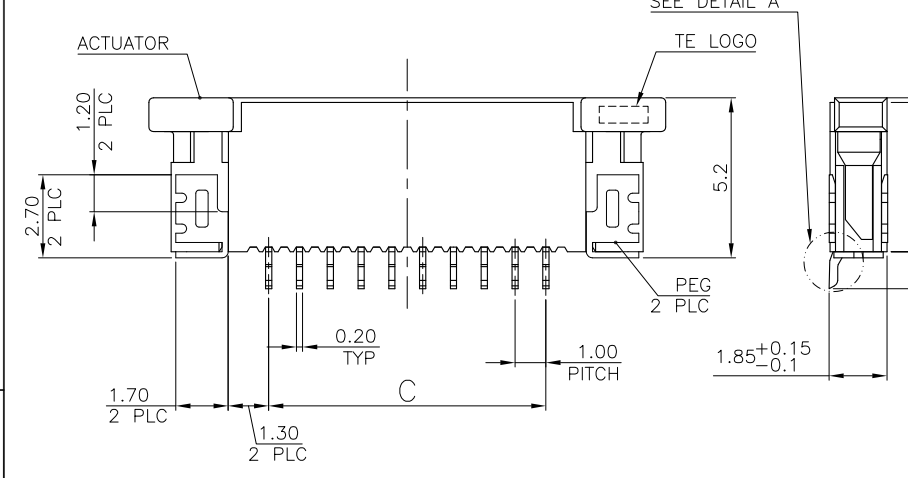
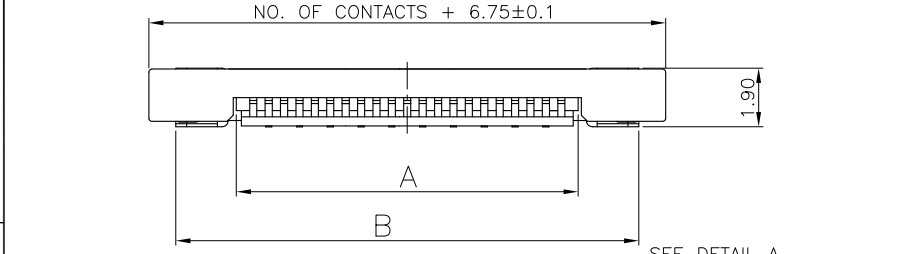


LOC	DIST	REVISIONS					
DW	-	P	LTR	DESCRIPTION	DATE	DWN	APVD
		C		OBSELETE	08JAN16	H.X	W.H



- NOTES:
- MATERIAL:  
 HOUSING: PA6T, 30% GF, UL94 V-0, NATURAL COLOR.  
 ACTUATOR: PPS, 40% GF, UL94 V-0, BLACK COLOR.  
 CONTACTS: PHOSPHOR BRONZE.  
 PEGS: BRASS.
  - FINISH:  
 CONTACTS: GOLD FLASH OVER 1.27µm [50µ" ] MIN. NICKEL ON ENTIRE CONTACT.  
 PEGS: 2.54µm [100µ" ] MIN. MATTE-TIN OVER 1.27µm [50µ" ] MIN. NICKEL.
  - REFLOW SOLDER CAPABLE TO 260°C PER TEC-109-201, METHOD B, CONDITION B.
  - SUBSTANCE RESTRICTIONS FOR LOW HALOGEN (BY WEIGHT):
    - BROMINE (Br) ≤ 900 PPM (0.09%)
    - CHLORINE (Cl) ≤ 900 PPM (0.09%)
    - TOTAL (Cl) + (Br) ≤ 1500 PPM (0.15%)

**OBSELETE**

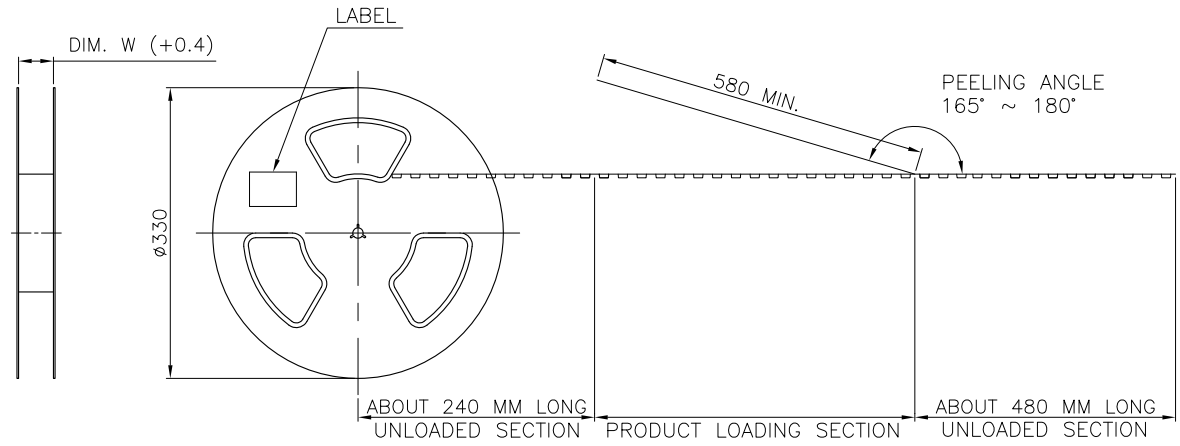
OBSELETE	0.46	25.0	31.01	27.10	26	2-1734845-5
	0.45	24.0	30.01	26.10	25	2-1734845-5
	0.45	23.0	29.01	25.10	24	2-1734845-4
OBSELETE	0.42	22.0	28.01	24.10	23	2-1734845-3
OBSELETE	0.40	21.0	27.01	23.10	22	2-1734845-2
OBSELETE	0.39	20.0	26.01	22.10	21	2-1734845-1
OBSELETE	0.37	19.0	25.01	21.10	20	2-1734845-0
OBSELETE	0.36	18.0	24.01	20.10	19	1-1734845-9
OBSELETE	0.34	17.0	23.01	19.10	18	1-1734845-8
OBSELETE	0.33	16.0	22.01	18.10	17	1-1734845-7
OBSELETE	0.31	15.0	21.01	17.10	16	1-1734845-6
OBSELETE	0.30	14.0	20.01	16.10	15	1-1734845-5
OBSELETE	0.28	13.0	19.01	15.10	14	1-1734845-4
OBSELETE	0.27	12.0	18.01	14.10	13	1-1734845-3
OBSELETE	0.25	11.0	17.01	13.10	12	1-1734845-2
OBSELETE	0.24	10.0	16.01	12.10	11	1-1734845-1
	0.22	9.0	15.01	11.10	10	1-1734845-0
OBSELETE	0.21	8.0	14.01	10.10	9	1734845-9
	0.19	7.0	13.01	9.10	8	1734845-8
OBSELETE	0.18	6.0	12.01	8.10	7	1734845-7
	0.16	5.0	11.01	7.10	6	1734845-6
	0.15	4.0	10.01	6.10	5	1734845-5
	0.13	3.0	9.01	5.10	4	1734845-4
OBSELETE	0.12	2.0	8.01	4.10	3	1734845-3
			C	B	A	NO. OF CONTACTS
						PART NUMBER

THIS DRAWING IS A CONTROLLED DOCUMENT.

DIMENSIONS: MM	TOLERANCES UNLESS OTHERWISE SPECIFIED:	DWN: A. WU 15JAN2013	TE Connectivity FPC CONNECTOR, 1.0 PITCH, ZIF, BOTTOM CONTACT
		CHK: S. CHIEN 15JAN2013	
		APVD: W. KODAMA 15JAN2013	
		PRODUCT SPEC: 108-57365	
MATERIAL: SEE NOTE	FINISH: SEE NOTE	APPLICATION SPEC: -	RESTRICTED TO: -
		WEIGHT: SEE TABLE	SIZE: A3
		CUSTOMER DRAWING	CAGE CODE: 00779
			DRAWING NO: C=1734845
			SCALE: -
			SHEET: 1 of 2
			REV: C

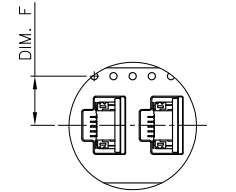
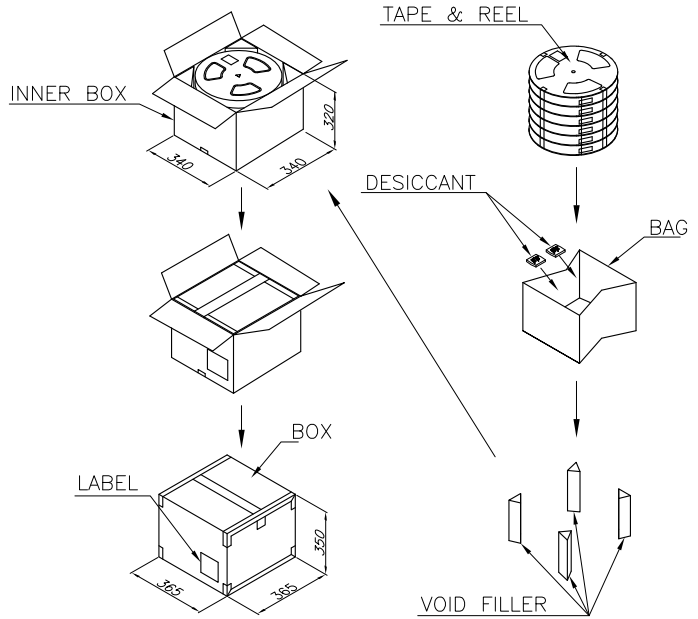
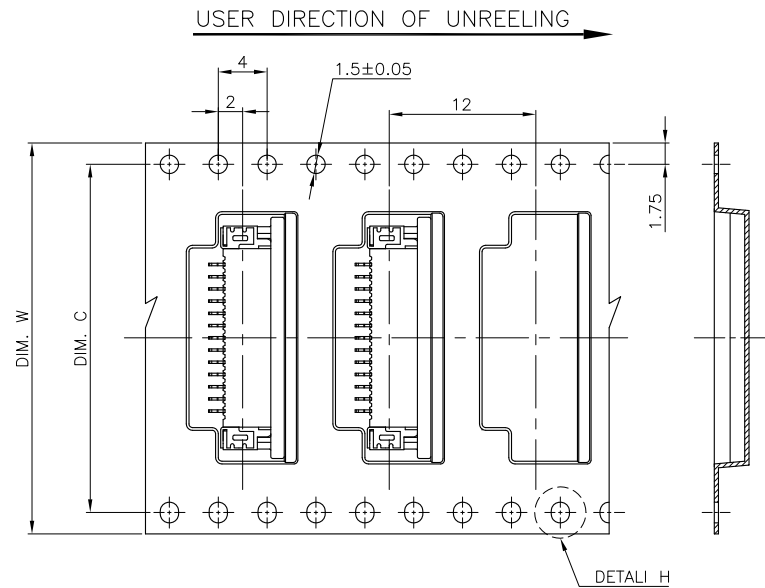
THIS DRAWING IS UNPUBLISHED. RELEASED FOR PUBLICATION  
 © COPYRIGHT 2013 BY TE CONNECTIVITY. ALL RIGHTS RESERVED.

LOC	DIST	REVISIONS					
DW	-	P	LTR	DESCRIPTION	DATE	DWN	APVD
				SEE SHEET 1			

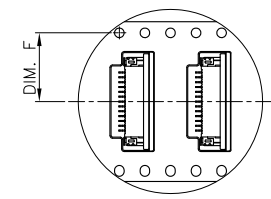


NOTES:

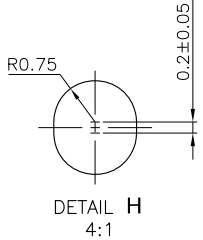
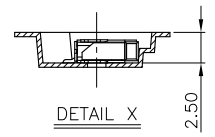
- MATERIAL:  
 BOX: FIBREBOARD, CORRUGATED, DOUBLE WALL.  
 COVER TAPE: PET, TRANSPARENT COLOR.  
 CARRIER TAPE: POLYSTYRENES, BLACK COLOR.  
 REEL: HIPS, BLUE COLOR.  
 BAG: POLYETHYLENES, TRANSPARENT COLOR.
- EACH BAG SHALL BE INCLUDED DESICCANT.
- PEELING STRENGTH: 0.1 ~ 1.3 N (10 ~ 130 GRAMS).
- PEELING SPEED: 300 mm/min.



FOR 4 ~ 10 CONTACTS  
SINGLE ROW



FOR 24 & 25 CONTACTS  
DUAL ROW



12000	2000	6	40.4	20.2	44	12.7	7.5	25
						12.5	7.2	24
						9.8	4.3	10
						9.5	3.8	8
20000	2000	10	/	11.5	24	9.2	3.2	6
						8.9	3.0	5
						8.5	2.6	4
QUANTITY (PCS)	PCS/TAPE	REELS/BOX	DIM C	DIM F	DIM W	G/W (Kg)	N/W (Kg)	NO. OF CONTACTS

THIS DRAWING IS A CONTROLLED DOCUMENT.		DWN	DWN				
DIMENSIONS: MM		CHK	TE Connectivity				
TOLERANCES UNLESS OTHERWISE SPECIFIED:		APVD	NAME				
0 PLC ±		PRODUCT SPEC	FPC CONNECTOR, 1.0 PITCH, ZIF, BOTTOM CONTACT				
1 PLC ±		APPLICATION SPEC	SIZE				
2 PLC ±		WEIGHT	CAGE CODE				
3 PLC ±		CUSTOMER DRAWING	DRAWING NO				
4 PLC ±			RESTRICTED TO				
ANGLES ±			A3 00779 C=1734845				
FINISH			SCALE				
			SHEET 2 of 2				
			REV C				