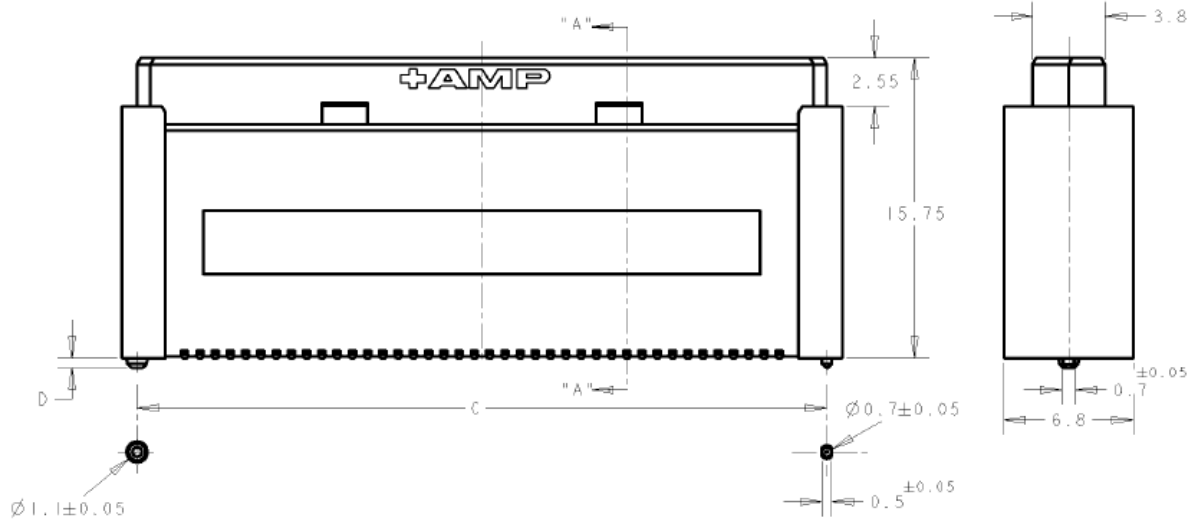
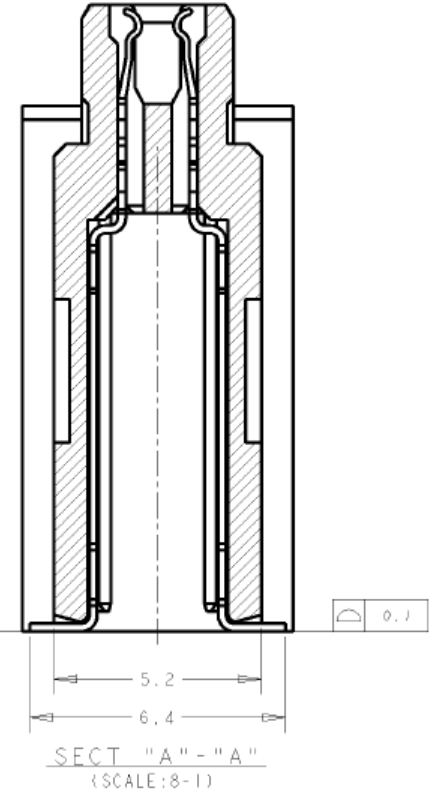
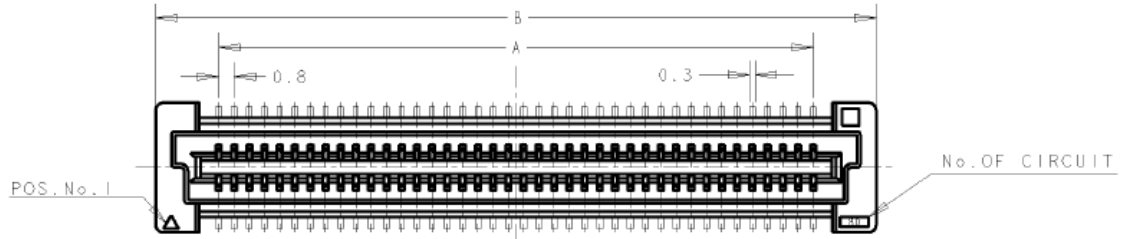


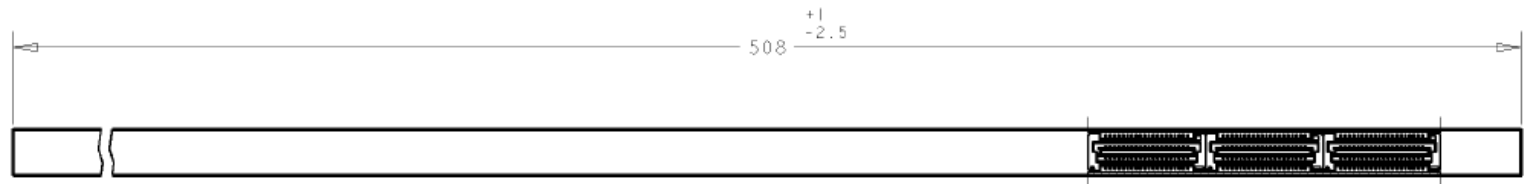
REVISIONS

P	LTR	DESCRIPTION	DATE	DWN	APVD
	A3	OBSOLETE 150POS(ECO-20-009897)	1MAR2021	A.L	H.L



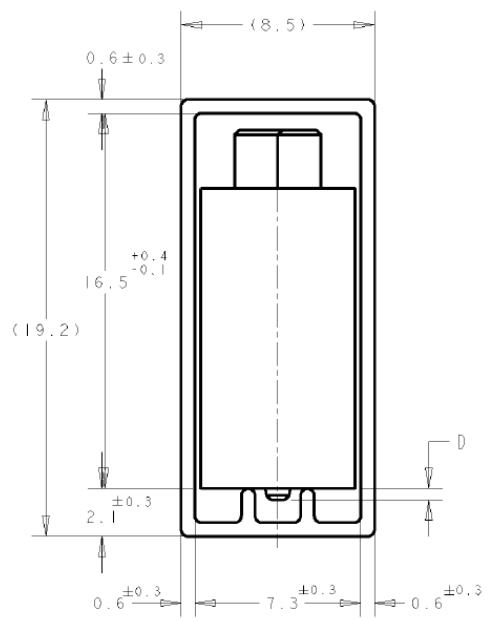
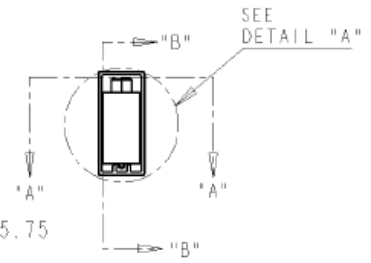
THIS DRAWING IS A CONTROLLED DOCUMENT.		DWN WYLEE	10JUL2007	TE Connectivity	
		CHK YJ SEE	-		
DIMENSIONS: mm		TOLERANCES UNLESS OTHERWISE SPECIFIED: 0 PLC ± - 1 PLC ± 0.30 2 PLC ± 0.25 3 PLC ± 0.20 4 PLC ANGLES ± 3°		NAME SF LFONG	
		APPLICATION SPEC 108-5390		PRODUCT SPEC RECEPTACLE 17MM HEIGHT FH 0.8MM PITCH B-T-B CONNECTOR IN TUBE	
MATERIAL 		FINISH 		DRAWING NO C=1735480	
		WEIGHT -		RESTRICTED TO -	
CUSTOMER DRAWING				SIZE A3	CAGE CODE 00779
				SCALE 4:1	SHEET 1 OF 3
				REV A3	

P	LTR	DESCRIPTION	DATE	DWN	APVD
-	-	SEE SHEET 1	-	-	-

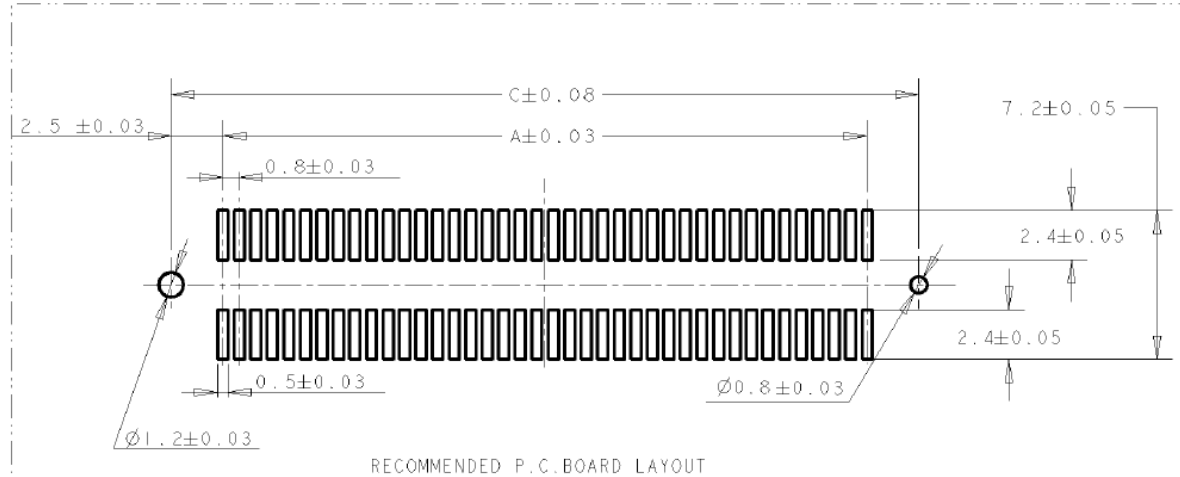


SECT "A" - "A"

SECT "B" - "B"



DETAIL "A"
(SCALE 5-1)



RECOMMENDED P.C. BOARD LAYOUT

THIS DRAWING IS A CONTROLLED DOCUMENT.		DWN WYLEE	10JUL2007	TE TE Connectivity	
		CHK YJ SEE	-		
DIMENSIONS: mm		TOLERANCES UNLESS OTHERWISE SPECIFIED:		RECEPTACLE 17MM HEIGHT FH 0.8MM PITCH B-T-B CONNECTOR IN TUBE	
		0 PLC ± - 1 PLC ± 0.30 2 PLC ± 0.25 3 PLC ± 0.20 4 PLC ± - ANGLES ± 3°			
MATERIAL		FINISH		APVD SF LFONG	NAME
				PRODUCT SPEC 108-5390	
				APPLICATION SPEC 114-5254	
				WEIGHT	SIZE A3
				CUSTOMER DRAWING	CAGE CODE 00779
					DRAWING NO C=1735480
					RESTRICTED TO
				SCALE 4:1	SHEET 2 OF 3
					REV A3

REVISIONS					
P	LTR	DESCRIPTION	DATE	DWN	APVD
-	-	SEE SHEET 1	-	-	-

NOTES:

1 MATERIAL: HOUSING: L.C.P. (HIGH TEMP THERMO-PLASTIC)
UL 94V-0, NATURAL.
CONTACT: COPPER ALLOY

2 FINISH:
ENGAGEMENT AREA: 0.0002 MIN GOLD
SOLDERING AREA: 0.002 MIN MATTE TIN
UNDERCOAT: 0.0013 MIN NICKEL ALL OVER.

3 FINISH:
ENGAGEMENT AREA: 0.00076 MIN GOLD
SOLDERING AREA: 0.002 MIN MATTE TIN
UNDERCOAT: 0.0013 MIN NICKEL ALL OVER.

4. SEE SERIES TABLE FOR PART NUMBERS

5. CONNECTOR MATED STACKED HEIGHT IS COMBINATION OF
PLUG HEIGHT "Y" AND REC HEIGHT "X", LESS 5 mm.

STACKED HEIGHT = Y + X - 5

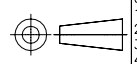
OBSOLETE

OBSOLETE

AVAILABLE (0.5mm BOSS LENGTH)	30 u" Au - Sn	84.20	85.80	79.20	200	8-	-0
		76.20	77.80	71.20	180	7-	-9
68.20	69.80	63.20	160	7-	-8		
64.20	65.80	59.20	150	7-	-7		
60.20	61.80	55.20	140	7-	-6		
52.20	53.80	47.20	120	7-	-5		
44.20	45.80	39.20	100	7-	-4		
36.20	37.80	31.20	80	7-	-3		
28.20	29.80	23.20	60	7-	-2		
20.20	21.80	15.20	40	7-	-1		
NOT AVAILABLE (0.8mm BOSS LENGTH)	08 u" Au - Sn	84.20	85.80	79.20	200	6-	-0
		76.20	77.80	71.20	180	5-	-9
		68.20	69.80	63.20	160	5-	-8
		64.20	65.80	59.20	150	5-	-7
		60.20	61.80	55.20	140	5-	-6
		52.20	53.80	47.20	120	5-	-5
		44.20	45.80	39.20	100	5-	-4
		36.20	37.80	31.20	80	5-	-3
		28.20	29.80	23.20	60	5-	-2
		20.20	21.80	15.20	40	5-	-1
NOT AVAILABLE (0.8mm BOSS LENGTH)	30 u" Au - Sn	84.20	85.80	79.20	200	3-	-0
		76.20	77.80	71.20	180	2-	-9
		68.20	69.80	63.20	160	2-	-8
		64.20	65.80	59.20	150	2-	-7
		60.20	61.80	55.20	140	2-	-6
		52.20	53.80	47.20	120	2-	-5
		44.20	45.80	39.20	100	2-	-4
		36.20	37.80	31.20	80	2-	-3
		28.20	29.80	23.20	60	2-	-2
		20.20	21.80	15.20	40	2-	-1
NOT AVAILABLE (0.8mm BOSS LENGTH)	08 u" Au - Sn	84.20	85.80	79.20	200	1-	-0
		76.20	77.80	71.20	180		-9
		68.20	69.80	63.20	160		-8
		64.20	65.80	59.20	150		-7
		60.20	61.80	55.20	140		-6
		52.20	53.80	47.20	120		-5
		44.20	45.80	39.20	100		-4
		36.20	37.80	31.20	80		-3
		28.20	29.80	23.20	60		-2
		20.20	21.80	15.20	40		-1

THIS DRAWING IS A CONTROLLED DOCUMENT.

DIMENSIONS:
mm



TOLERANCES UNLESS OTHERWISE SPECIFIED:
0 PLC ± -
1 PLC ± 0.30
2 PLC ± 0.25
3 PLC ± 0.20
4 PLC ANGLES ± -
FINISH -

MATERIAL -

DWN	WYLEE	10JUL2007
CHK	YJ SEE	-
APVD	SF LFONG	-
PRODUCT SPEC	108-5390	-
APPLICATION SPEC	114-5254	-
WEIGHT	-	-
CUSTOMER DRAWING		

STE TE Connectivity

RECEPTACLE 17MM HEIGHT
FH 0.8MM PITCH B-T-B CONNECTOR
IN TUBE

SIZE	CAGE CODE	DRAWING NO	RESTRICTED TO
A3	00779	C=1735480	-

SCALE 4:1 SHEET 3 of 3 REV A3