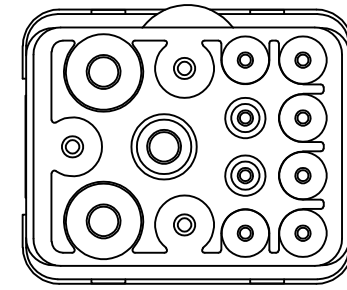


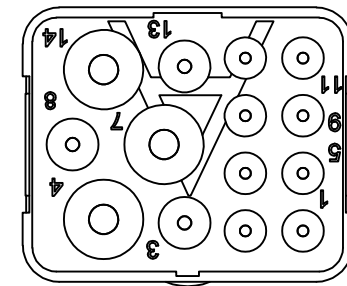
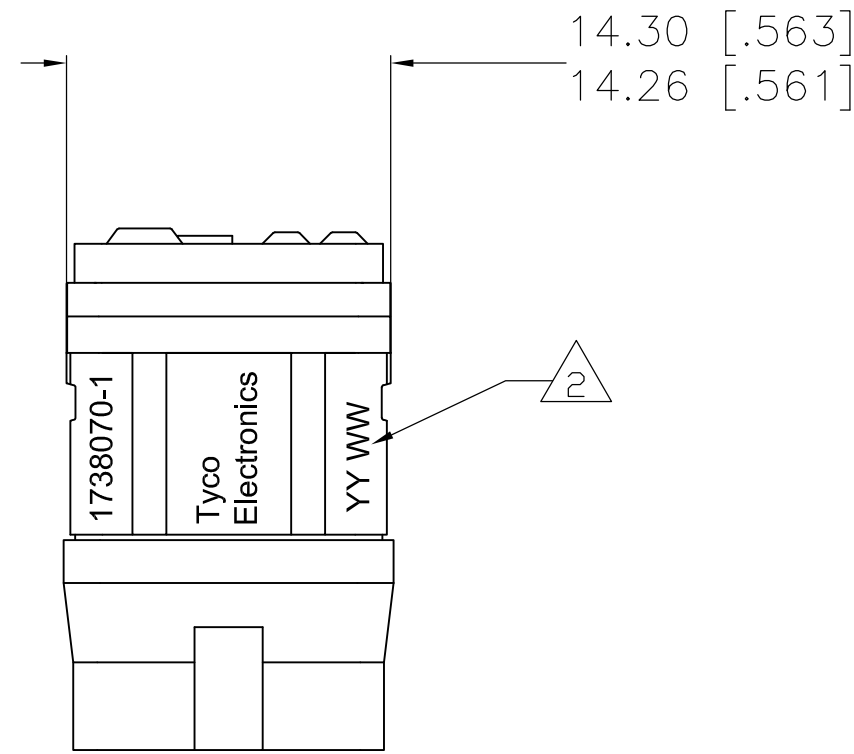
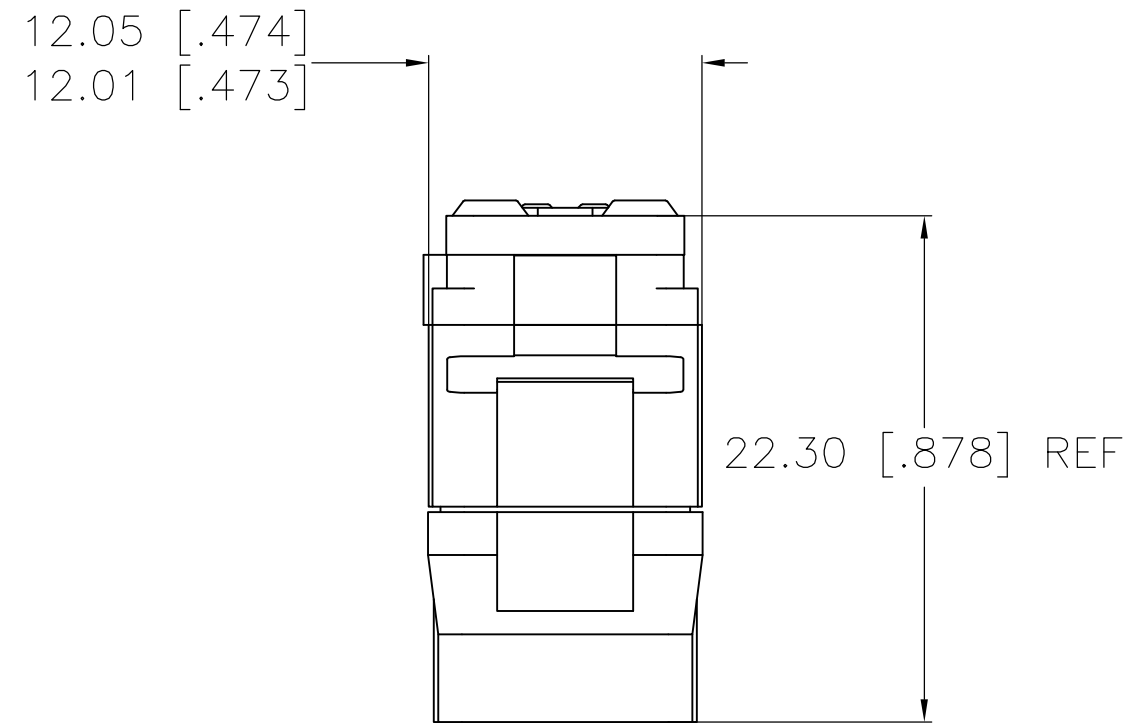
THIS DRAWING IS UNPUBLISHED. RELEASED FOR PUBLICATION
 © COPYRIGHT BY TYCO ELECTRONICS CORPORATION. ALL INTERNATIONAL RIGHTS RESERVED.

LOC	DIST	REVISIONS			
P	LTR	DESCRIPTION	DATE	DWN	APVD
DF	00				
	0	CONVERTED RADIALL DWG TO TYCO ACAD DWG	11/03	—	—
	1	REVISED	22APR10	RF	JM

- 1 FRONT AND REAR INSULATORS: THERMOSET EPOXY PER ASTM D 5948
 CONTACT RETENTION CLIPS: COPPER ALLOY PER ASTM B194
 REAR GROMMET & INTERFACIAL SEAL: FLUOROSILICONE ELASTOMER
 PER MIL-R-25988B, EXCEPT 4.6.6.1
- 2 DATE CODE: YEAR & WEEK (YYWW)
- 3. DESCRIPTIVE PART NUMBER: GPRAE14MPA
 THIS INSERT CONTAINS 8 CAVITIES FOR SIZE 22 PIN CONTACTS
 THIS INSERT CONTAINS 3 CAVITIES FOR SIZE 20 PIN CONTACTS
 THIS INSERT CONTAINS 3 CAVITIES FOR SIZE 16 PIN CONTACTS
- 4. THIS PRODUCT IS SOLD BY TYCO ELECTRONICS UNDER A LICENSE FROM RADIALL SA.



MATING FACE



THIS PRINT IS
PRELIMINARY
 UNQUALIFIED PRODUCT
 CONTACT PRODUCT ENGINEERING
 BEFORE USING THIS PRINT

1738070-1
 PART NUMBER

THIS DRAWING IS A CONTROLLED DOCUMENT.		DWN	NOV03	Tyco Electronics Corporation Harrisburg, PA 17105-3608
DIMENSIONS: mm [INCHES]		CHK	NOV03	
TOLERANCES UNLESS OTHERWISE SPECIFIED:		APVD	NOV03	
0 PLC ± - 1 PLC ± - 2 PLC ± 0.05 [.002] 3 PLC ± - 4 PLC ± - ANGLES ± -		PRODUCT SPEC	NAME	
MATERIAL		APPLICATION SPEC		SIZE
FINISH		WEIGHT		CAGE CODE
1		CUSTOMER DRAWING		DRAWING NO
		SCALE 1:1		RESTRICTED TO
		SHEET 1 of 1		REV 1