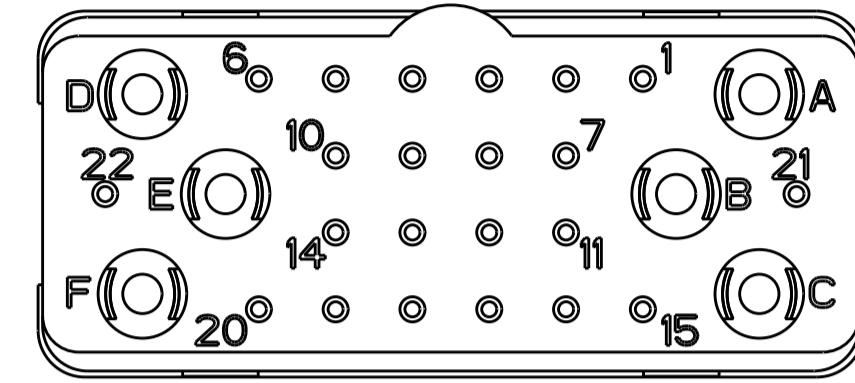
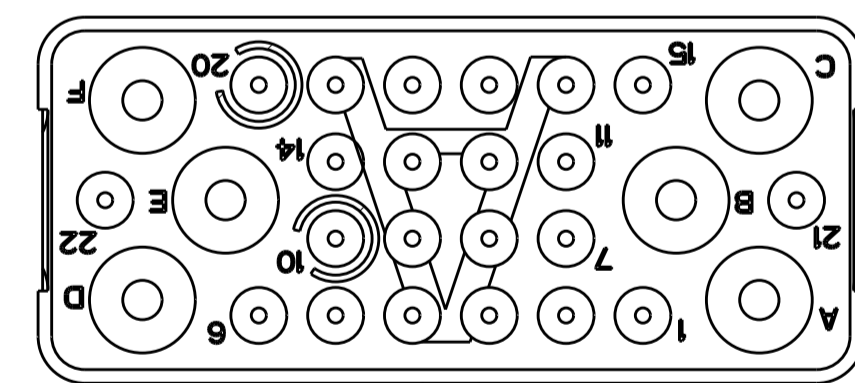
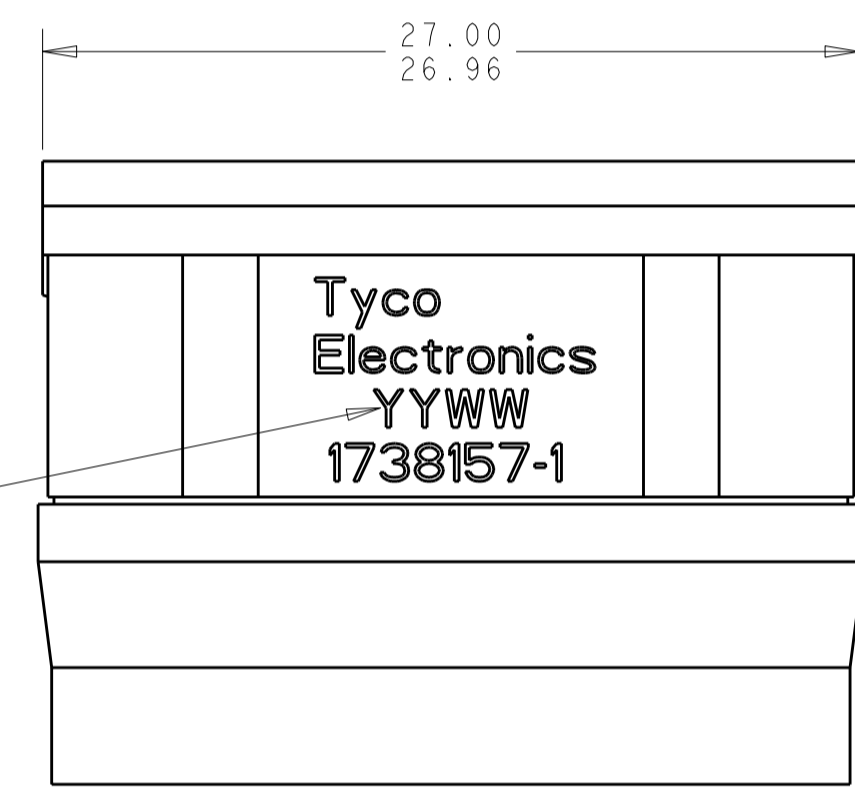
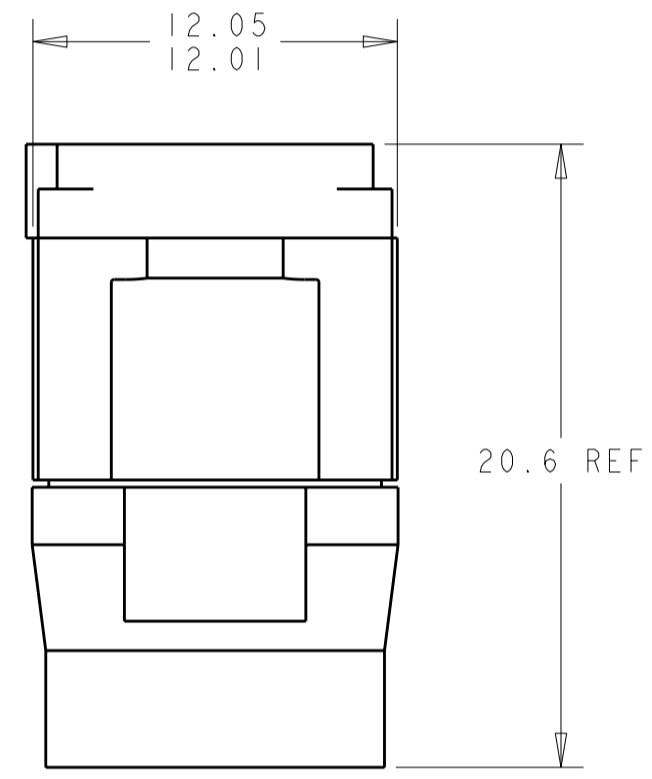


THIS DRAWING IS UNPUBLISHED. RELEASED FOR PUBLICATION 20  
 © COPYRIGHT 20 BY TYCO ELECTRONICS CORPORATION. ALL RIGHTS RESERVED.

| LOC |     | DIST             |           | REVISIONS |      |  |  |
|-----|-----|------------------|-----------|-----------|------|--|--|
| P   | LTR | DESCRIPTION      | DATE      | DWN       | APVD |  |  |
|     | 1   | REDRAWN IN PRO/E | 24AUG2005 | CJV       | JPM  |  |  |
|     | 2   | REVISED          | 03MAY2010 | RF        | JM   |  |  |



MATING FACE



- 1 FRONT & REAR INSULATORS: THERMOSET EPOXY PER ASTM D5948  
 CONTACT RETENTION CLIPS: COPPER ALLOY PER ASTM B194.  
 REAR GROMMET: FLOUROSILICONE ELASTOMER PER MIL-R25988 B, EXCEPT 4.6.6.1
- 2 DATE CODE: YEAR & WEEK (YY WW).
- 3. DESCRIPTIVE PART NUMBER: GPRBH28PA  
 THIS INSERT CONTAINS:  
 22 CAVITIES FOR SIZE 22 SOCKET CONTACTS  
 6 CAVITIES FOR SIZE 15 OR 16 SOCKET CONTACTS.
- 4. THIS PRODUCT IS SOLD BY TYCO ELECTRONICS  
 UNDER A LICENSE FROM RADIALL SA.

1738157-1  
 PART NUMBER

THIS PRINT IS  
**PRELIMINARY**  
 UNQUALIFIED PRODUCT  
 CONTACT PRODUCT ENGINEERING  
 BEFORE USING THIS PRINT

|  |  |                          |  |  |
|--|--|--------------------------|--|--|
| THIS DRAWING IS A CONTROLLED DOCUMENT FOR TYCO ELECTRONICS CORPORATION<br>IT IS SUBJECT TO CHANGE AND THE CONTROLLING ENGINEERING ORGANIZATION<br>SHOULD BE CONTACTED FOR THE LATEST REVISION. |  | DWN<br>CJV<br>24AUG2005  | Tyco Electronics<br>Harrisburg, PA 17105-3608  |  |
| DIMENSIONS:<br>mm  |  | CHK<br>JPM<br>24AUG2005  | NAME<br>GPR-B PIN INSERT<br>CLASS H - WITH REAR GROMMET<br>CONTACT ARRANGEMENT 28, KEY A |  |
| TOLERANCES UNLESS OTHERWISE SPECIFIED:<br>0 PLC ±<br>1 PLC ±0.5<br>2 PLC ±0.13<br>3 PLC ±0.013<br>4 PLC ±0.0001<br>ANGLES ±<br>FINISH  |  | APVD<br>JPM<br>24AUG2005 | SIZE<br>A200779  |  |
| MATERIAL   |  | PRODUCT SPEC<br>-        | DRAWING NO<br>1738157  |  |
|  |  | APPLICATION SPEC<br>-    | RESTRICTED TO<br>-   |  |
|  |  | WEIGHT<br>-              | SCALE 4:1  |  |
|  |  | CUSTOMER DRAWING         | SHEET 1 OF 1 REV 2   |  |