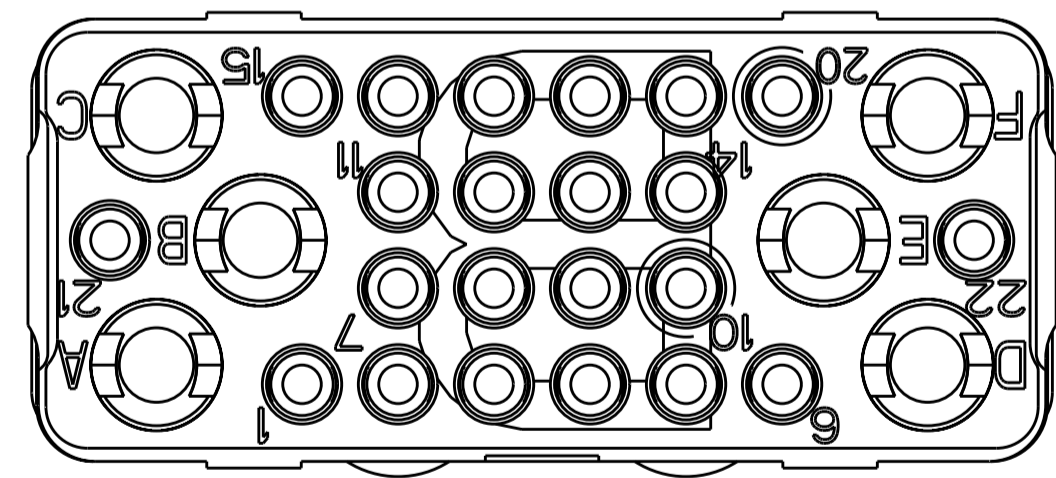
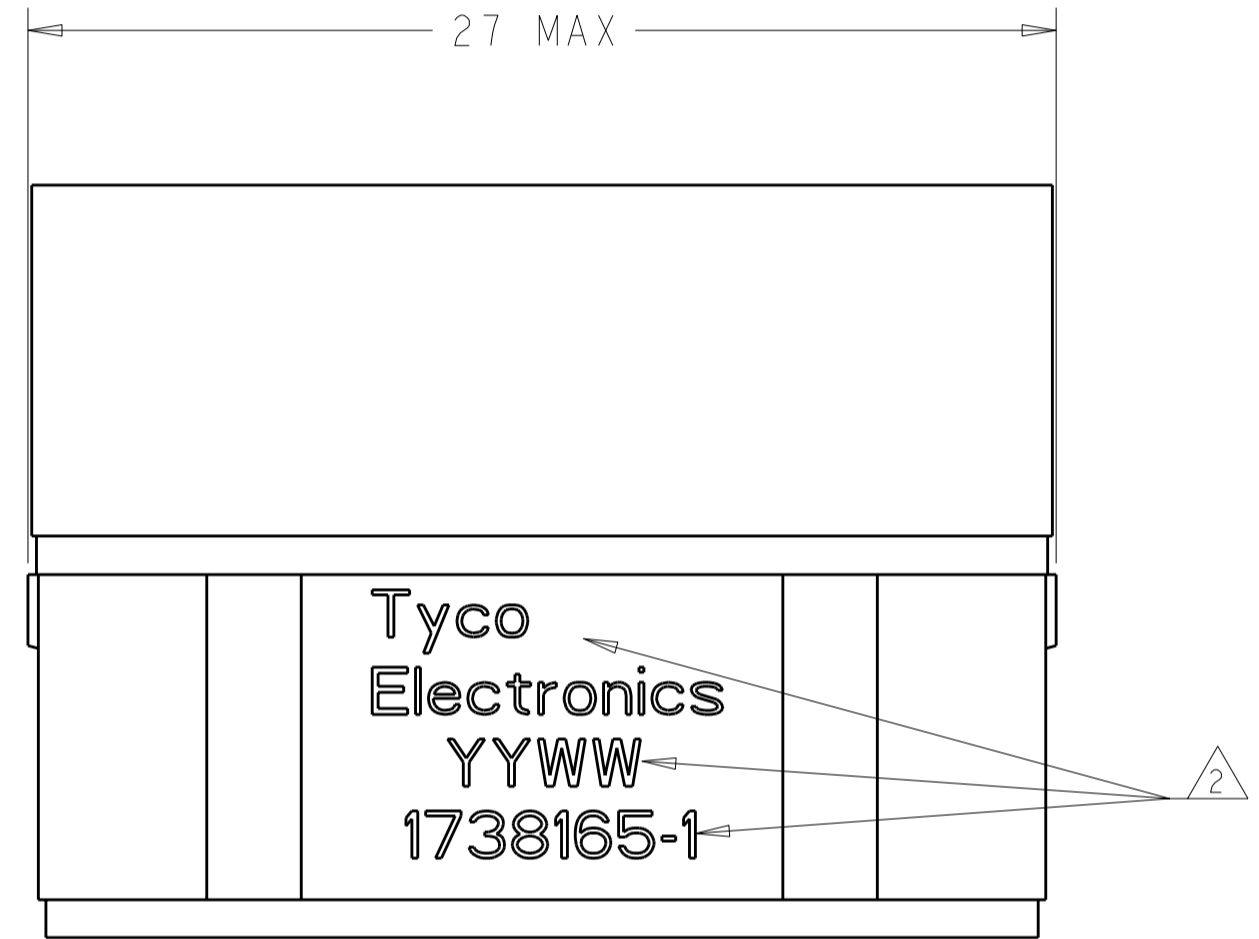
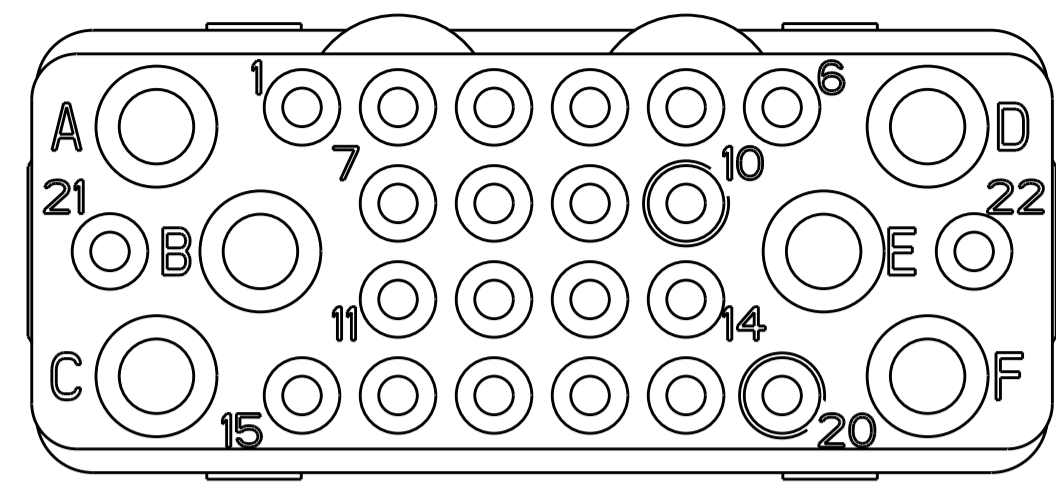
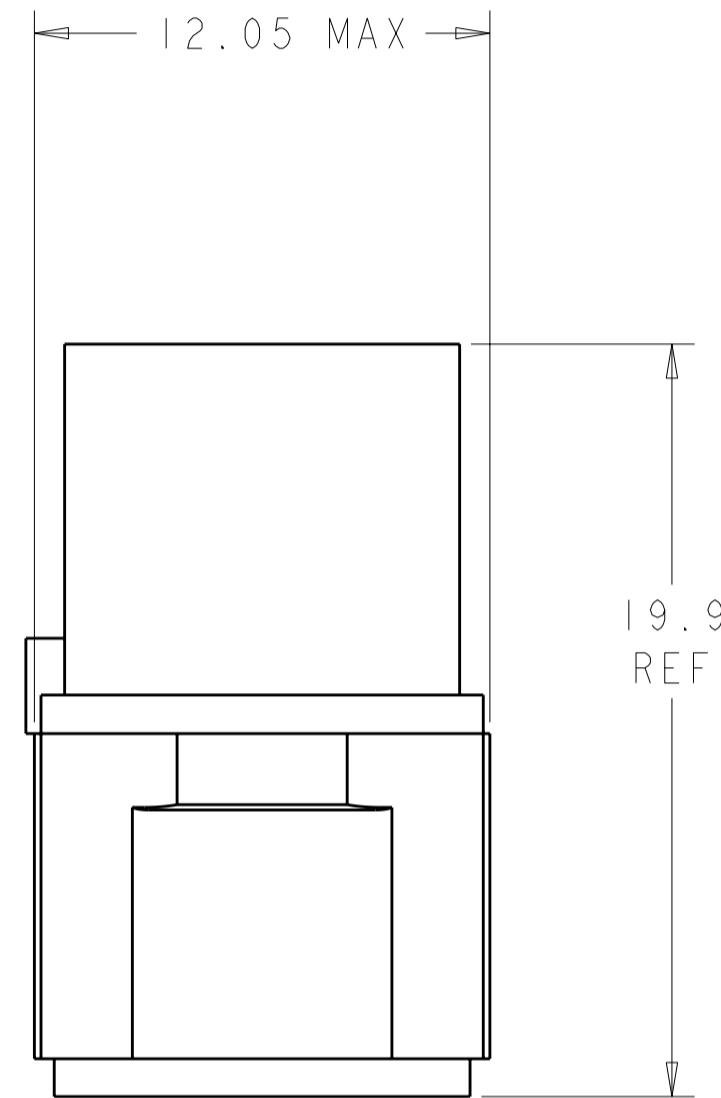


THIS DRAWING IS UNPUBLISHED. RELEASED FOR PUBLICATION 20
 © COPYRIGHT 20 BY TYCO ELECTRONICS CORPORATION. ALL RIGHTS RESERVED.

LOC		DIST		REVISIONS			
P	LTR	DESCRIPTION	DATE	DWN	APVD		
1		DRAWN IN PRO-E	25FEB09	DCB	JM		
2		REVISED	27APR2010	RF	JM		



THIS PRINT IS
PRELIMINARY
 UNQUALIFIED PRODUCT
 CONTACT PRODUCT ENGINEERING
 BEFORE USING THIS PRINT

1 FRONT & REAR INSULATORS: HIGH-TEMP THERMOPLASTIC OR THERMOSET EPOXY PER ASTM D5948.
 CONTACT RETENTION CLIPS: STAINLESS STEEL PER AISI 302 OR COPPER ALLOY PER ASTM B194

2 PRODUCT IDENTIFICATION MARKINGS: TYCO ELECTRONICS LOGO
 PART NUMBER
 DATE CODE - YEAR & WEEK (YY WW)

3. DESCRIPTIVE PART NUMBER: GPRB28SB
 THIS INSERT CONTAINS: 22 CAVITIES FOR SIZE 22 SOCKET CONTACTS
 6 CAVITIES FOR SIZE 16 SOCKET CONTACTS

4. THIS PRODUCT IS SOLD BY TYCO ELECTRONICS UNDER A LICENSE FROM RADIALL SA.

1738165-1
 PART NUMBER

THIS DRAWING IS A CONTROLLED DOCUMENT FOR TYCO ELECTRONICS CORPORATION IT IS SUBJECT TO CHANGE AND THE CONTROLLING ENGINEERING ORGANIZATION SHOULD BE CONTACTED FOR THE LATEST REVISION.		DWN	DCB	25FEB09	Tyco Electronics Harrisburg, PA 17105-3608	
DIMENSIONS: mm		CHK	JM	NAME INSERT ASSEMBLY, SOCKET, ARRANGEMENT 28, NON-ENVIRONMENTAL KEY B, GPRB		
TOLERANCES UNLESS OTHERWISE SPECIFIED: 0 PLC ±- 1 PLC ±0.5 2 PLC ±0.13 3 PLC ±0.013 4 PLC ±0.0001 ANGLES ±		APVD	JM	SIZE A200779		
MATERIAL		PRODUCT SPEC	DRAWING NO C-1738165			
FINISH		APPLICATION SPEC	RESTRICTED TO			
		WEIGHT	SCALE 5:1 SHEET 1 OF 1 REV 2			
		CUSTOMER DRAWING				