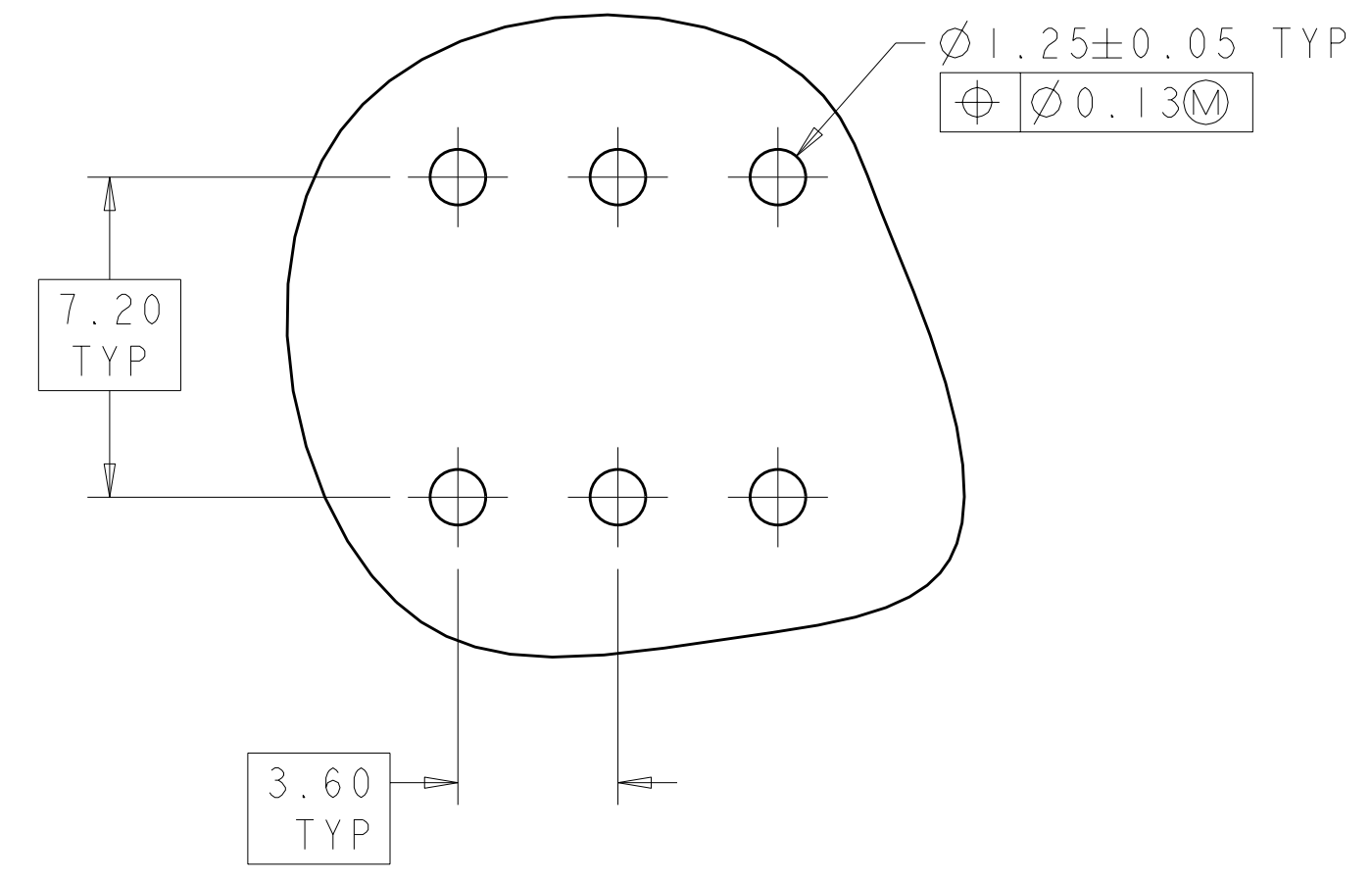
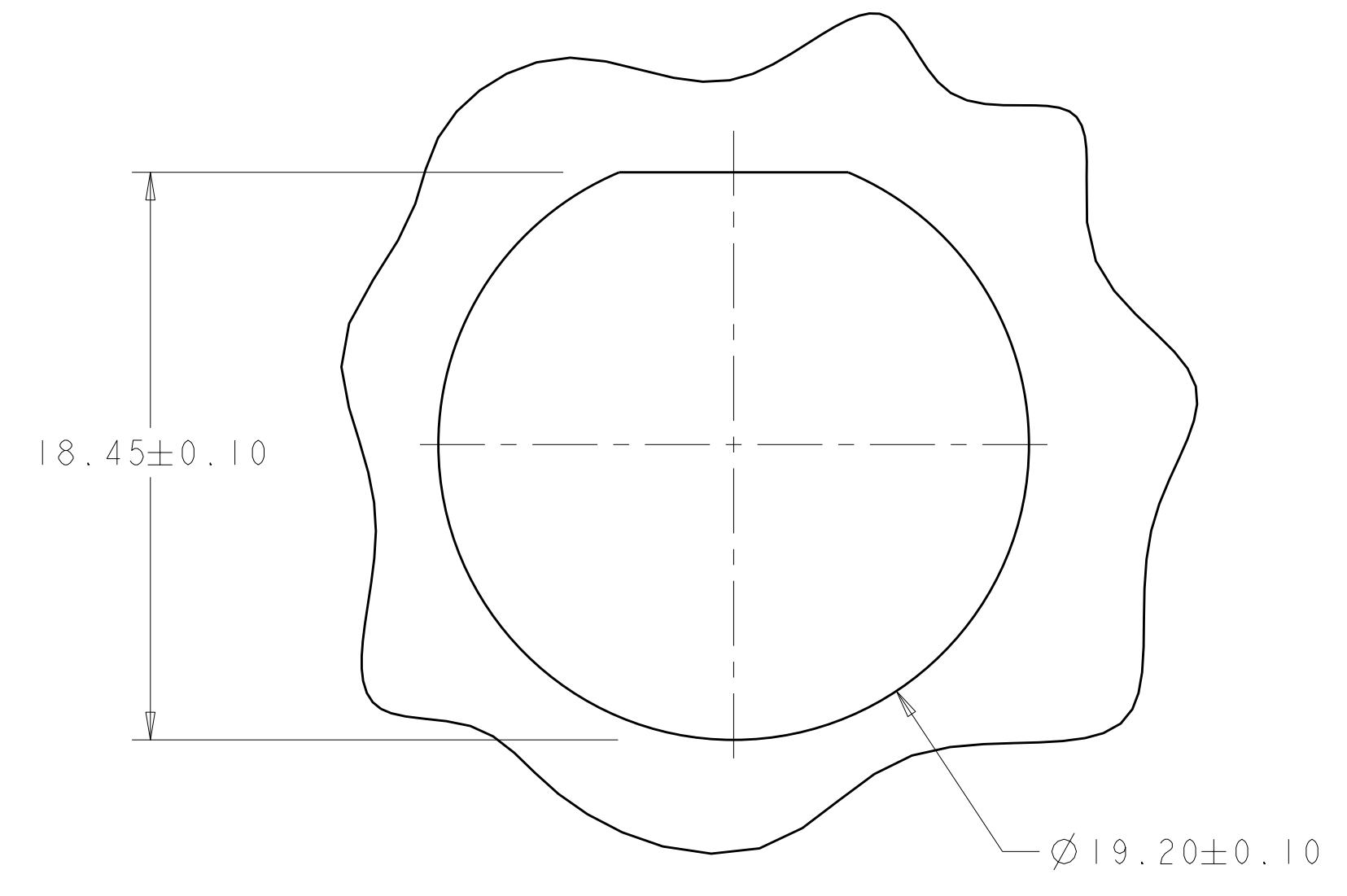
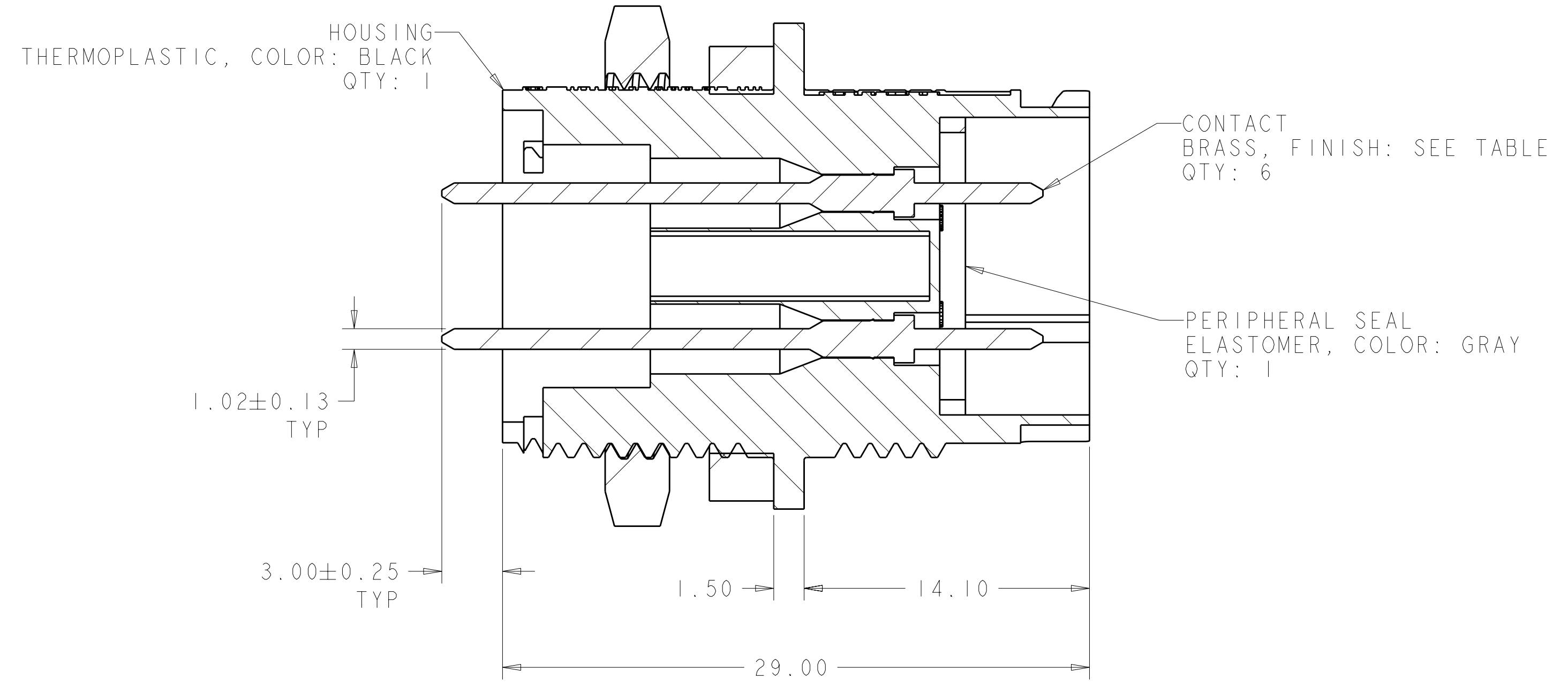
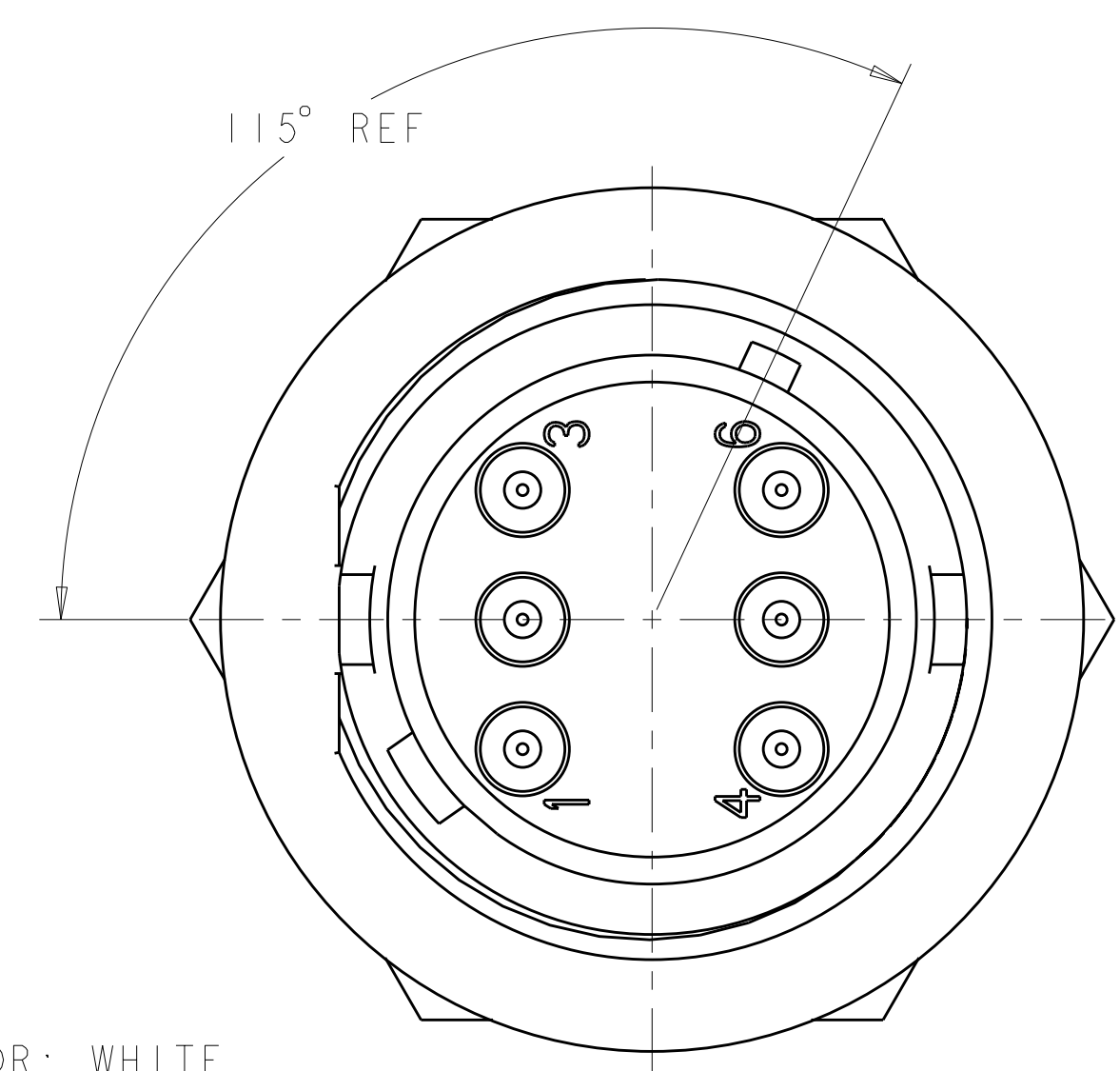
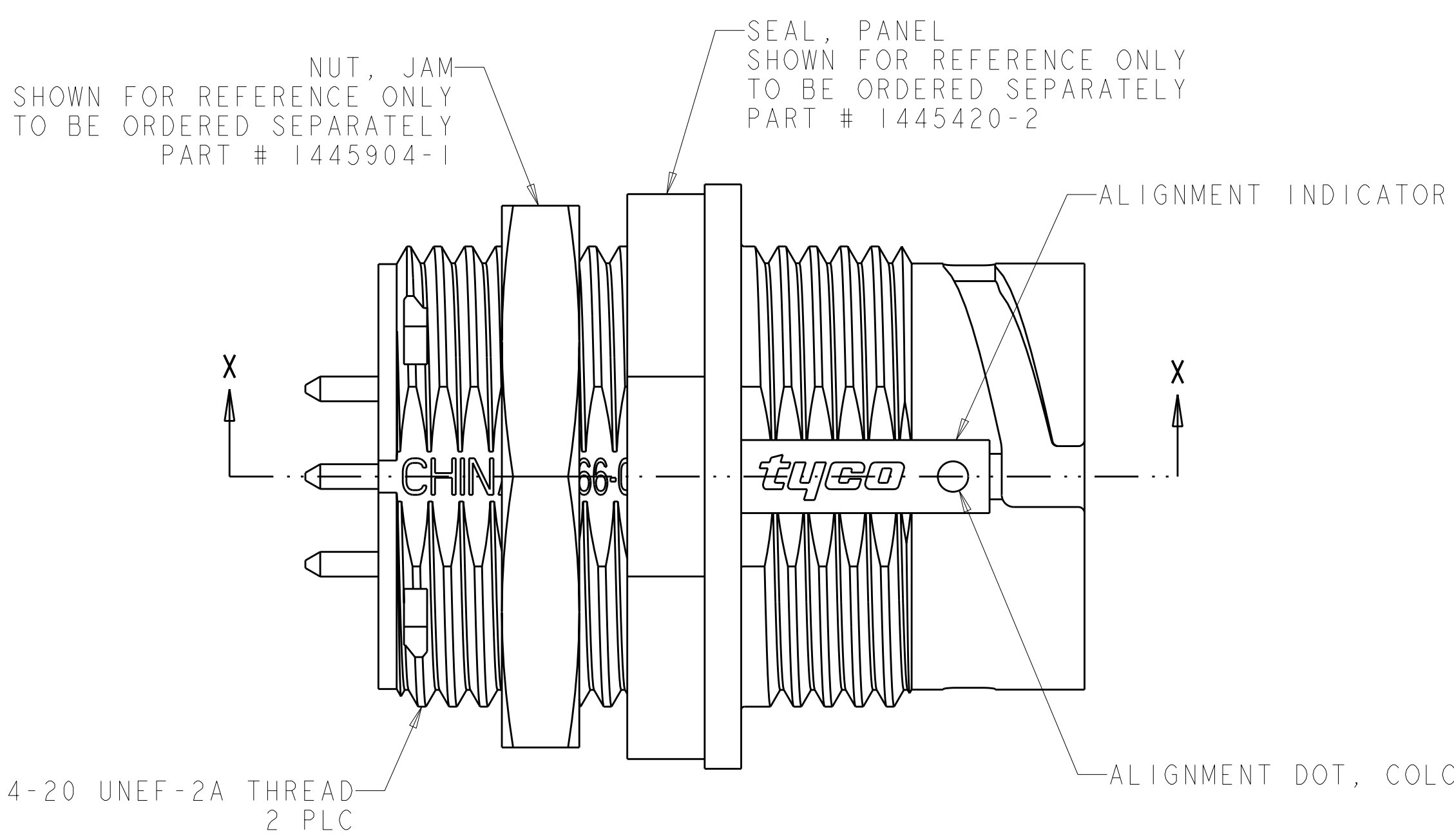
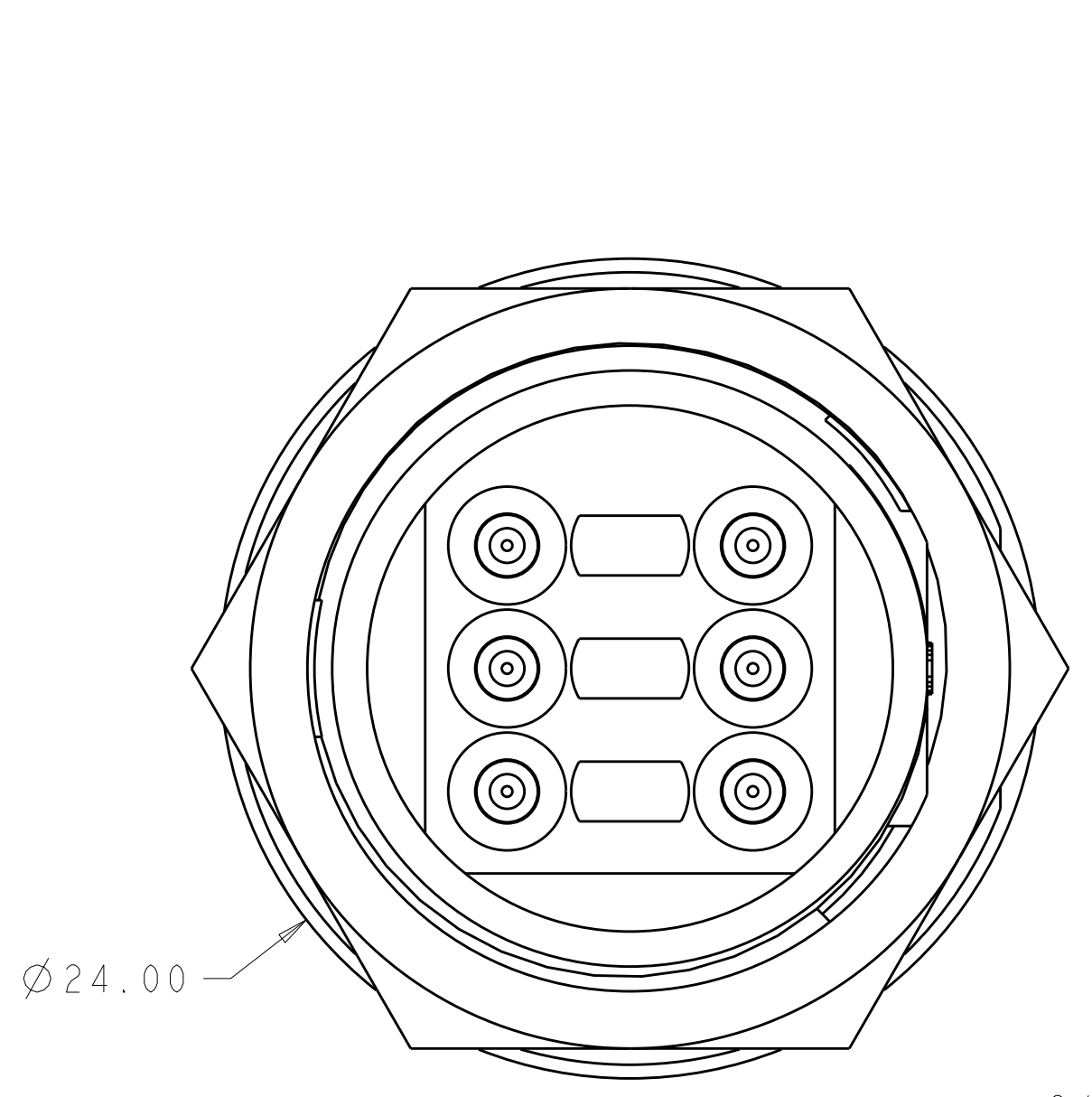


LOC	DIST	REV	DESCRIPTION	DATE	DWN	APVD
FT	0	0	PRELIMINARY EC 0G3B-0695-04	19AUG2004	SW	HW
		A	REVISED ECO-06-018899	30AUG2006	SW	DC



- 1. CONNECTOR CAN BE FRONT OR REAR MOUNTED.
- ① 0.76µm MIN GOLD OVER 1.27µm MIN NICKEL.
- ② 2.54µm MIN TIN OVER 1.27µm MIN NICKEL.

QUALIFICATION TEST PENDING

③	1738513-2
②	1738513-1
FINISH	PART NUMBER

<small>THIS DRAWING IS UNPUBLISHED. RELEASED FOR PUBLICATION BY TYCO ELECTRONICS CORPORATION. ALL RIGHTS RESERVED.</small>		DWN: S. WELDON 19AUG2004 CHK: H. WAKEEM 19AUG2004 APVD: H. WAKEEM 19AUG2004	Tyco Electronics Harrisburg, PA 17105-3608
DIMENSIONS: mm 	TOLERANCES UNLESS OTHERWISE SPECIFIED: 0 PLC ±.5 1 PLC ±0.5 2 PLC ±0.13 3 PLC ±0.013 4 PLC ±0.0000 ANGLES ±.1	NAME: RECEPTACLE ASSEMBLY, SIZE II, 6 POSITION, PCB, VERTICAL, PANEL MOUNT, MINI CPC PRODUCT SPEC: - APPLICATION SPEC: - FINISH: -	SIZE: A11 CAGE CODE: 00779 DRAWING NO: 1738513 RESTRICTED TO: -
MATERIAL: SEE CALLOUT	FINISH: SEE CALLOUT	WEIGHT: -	CUSTOMER DRAWING
SCALE: 5:1		SHEET: 1 OF 1	REV: A