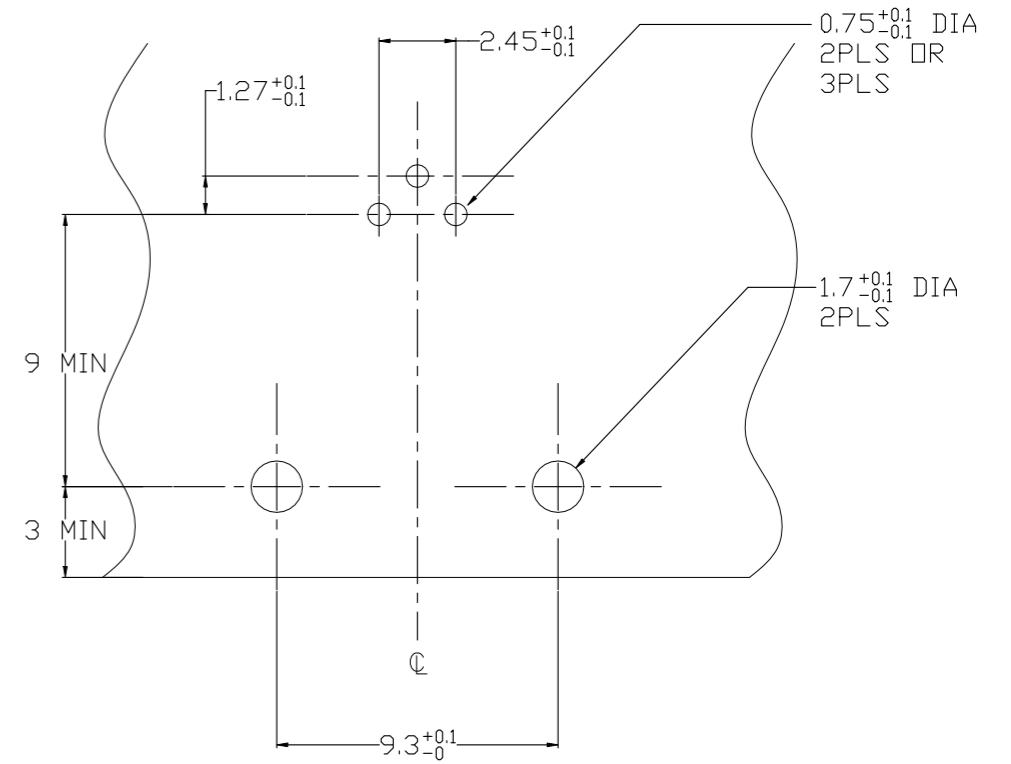
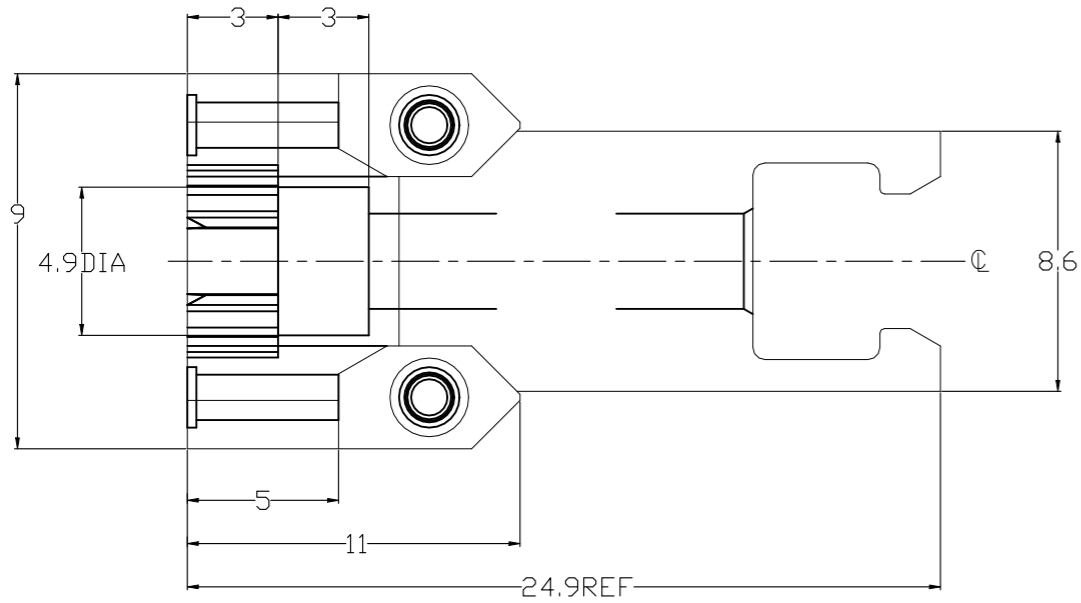
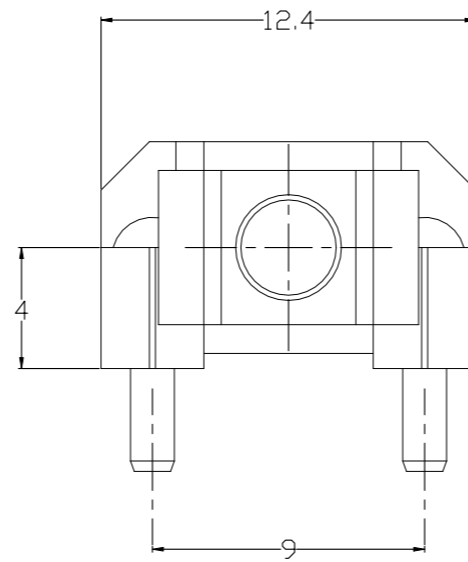
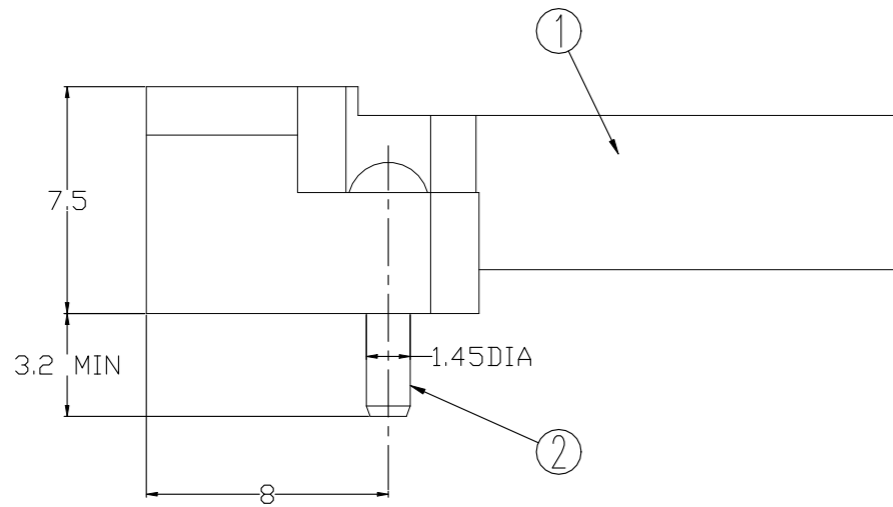


REVISIONS

P	LTR	DESCRIPTION	DATE	DWN	APVD
	A	REVISED	05JUL2023	H.M	P.K



PCB LAYOUT



2	2	PC	DNP SOLDERING POST (Ni PRE-PLATING AND TIN PLATING)	171948-1	2
1	—	PC	ADM PLUG MOLD RED BROWN	173079-2	1
—	1	PC	DNP ACTIVE DEVICE MOUNT	173079-1	1
174065-2	174065-1	U/M	NAME	PARTS NO.	ITEM NO.
PARTS LIST					

THIS DRAWING IS A CONTROLLED DOCUMENT.

DIMENSIONS:	TOLERANCES UNLESS OTHERWISE SPECIFIED:
mm	
	0 PLC ± 0.2
	1 PLC ± 0.25
	2 PLC ± 0.3
	3 PLC ± -
	4 PLC ± -
	ANGLES ± 5
MATERIAL	FINISH
-	-

DWN	K.TAKAHASHI	17FEB1986
CHK	E.YOSHIDA	19FEB1986
APVD	H.TAKAGI	19FEB1986
PRODUCT SPEC	-	
APPLICATION SPEC	-	
WEIGHT	0	



ACTIVE DEVICE MOUNT POST ASSY TO-18 DNP

SIZE	CAGE CODE	DRAWING NO	RESTRICTED TO
A3	00779	C-174065	-

CUSTOMER DRAWING SCALE 4:1 SHEET 1 OF 1 REV A