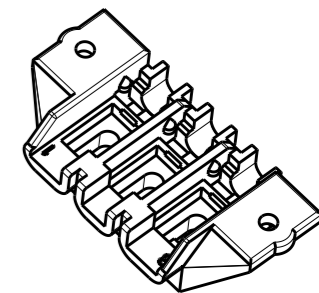
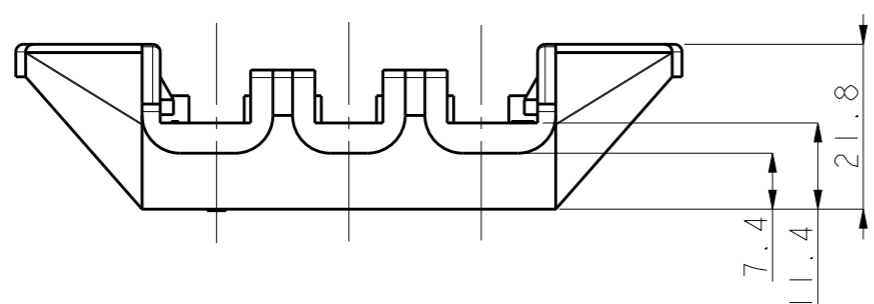
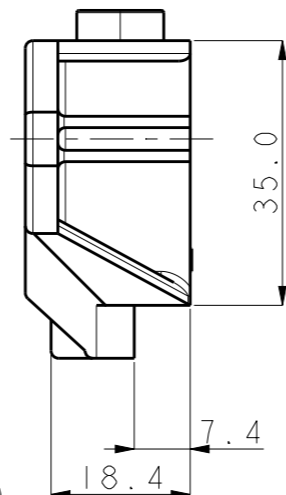
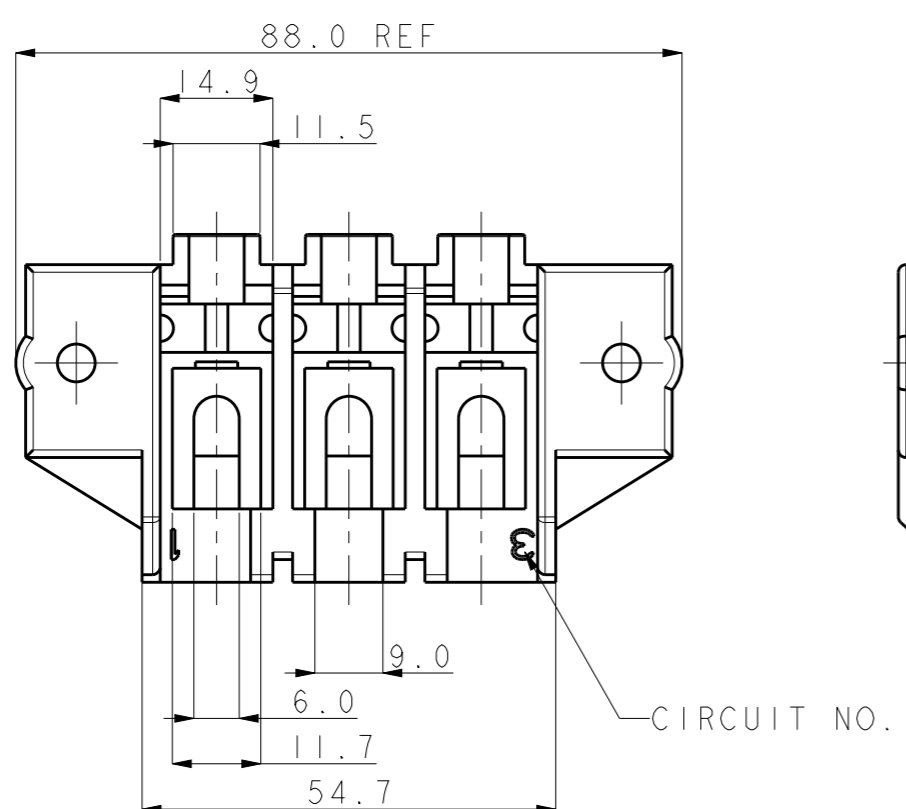
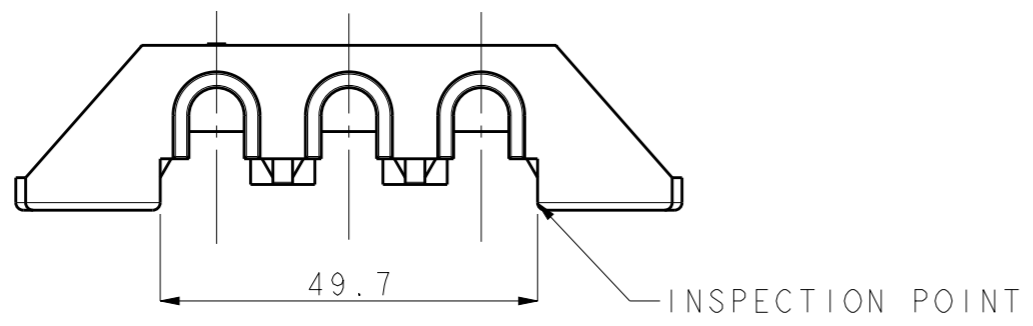
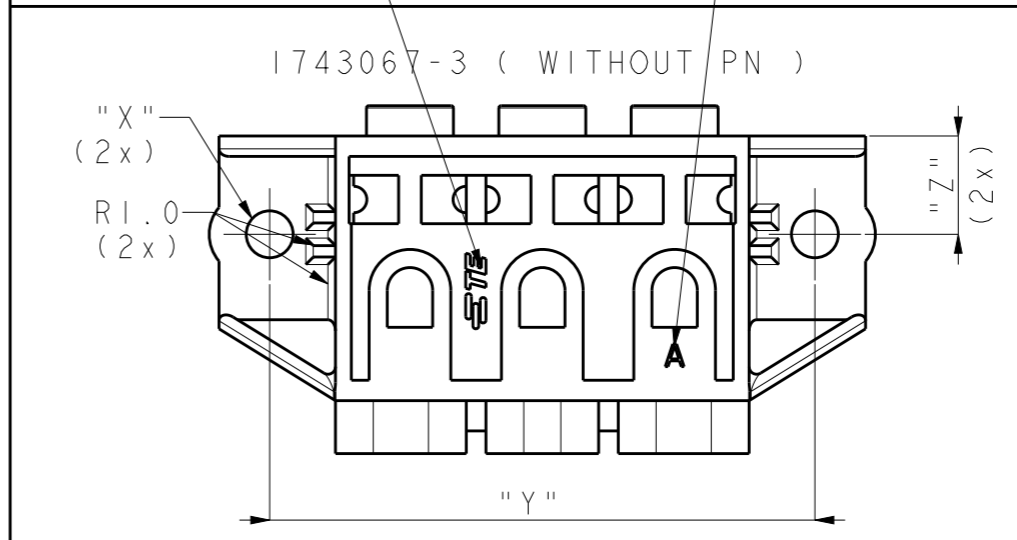
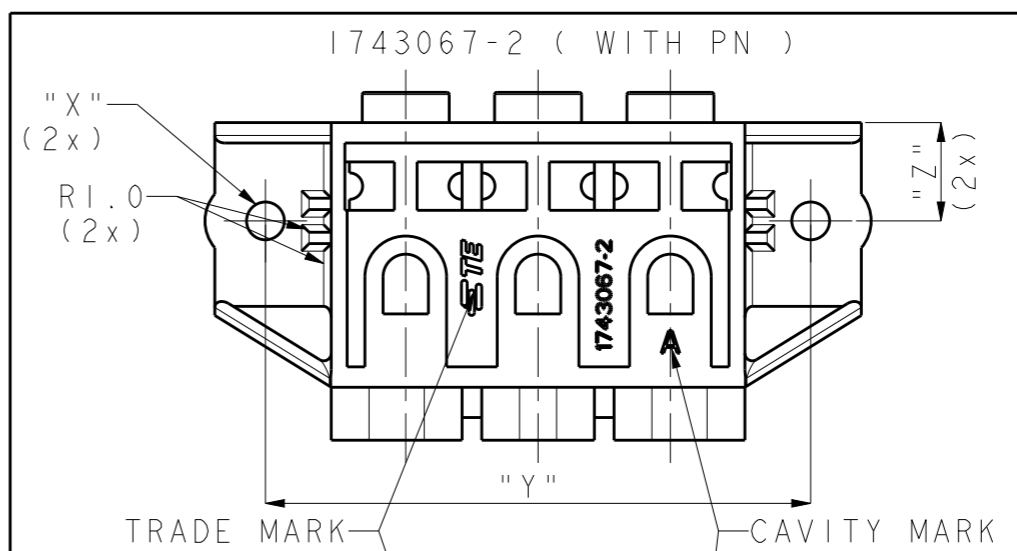


THIS DRAWING IS UNPUBLISHED. RELEASED FOR PUBLICATION 20  
© COPYRIGHT 20 BY - ALL RIGHTS RESERVED.

LOC	DIST	REVISIONS				
P	LTR	DESCRIPTION	DATE	DWN	APVD	
DS	-	E	REVISED PER ECR-18-018075	19NOV2018	BH	E.W
		F	REVISED PER ECR-19-005609	23MAY2019	BH	E.W
		F1	REVISED PER ECR-19-008330	24MAY2019	BH	E.W
		F2	REVISED PER ECR-19-013181	22AUG2019	BH	E.W



SCALE 1:2



13.0 <sup>+0.5</sup> <sub>-0.1</sub>	72.1±0.25	∅6.2±0.1	BLACK	1743067-3
13.0 <sup>+0.5</sup> <sub>-0.1</sub>	72.1±0.25	∅5.0±0.1	BLACK	1743067-2
"Z"	"Y"	"X"	COLOR	P/N

NOTES.  
 1. GENERAL TOLERANCE : ±0.5  
 2. APPLICABLE CONTACT P/N : 521843-1  
 3. CAVITY MARK SHALL BE LOCATED APPROX. AS SHOWN

THIS DRAWING IS A CONTROLLED DOCUMENT.		DWN BH CHO	TE Connectivity		
DIMENSIONS: mm		CHK -			
TOLERANCES UNLESS OTHERWISE SPECIFIED:		APVD BW KANG	NAME		
0 PLC ± 1 PLC ± 2 PLC ± 3 PLC ± 4 PLC ± ANGLES ± FINISH -		PRODUCT SPEC 108-61063	TERMINAL BLOCK FOR DRYER		
MATERIAL PHENOLIC UL94 V-0		APPLICATION SPEC -	SIZE A300779	CAGE CODE C-1743067	DRAWING NO
		WEIGHT -	RESTRICTED TO		
		CUSTOMER DRAWING	SCALE	SHEET	OF
					REV F2