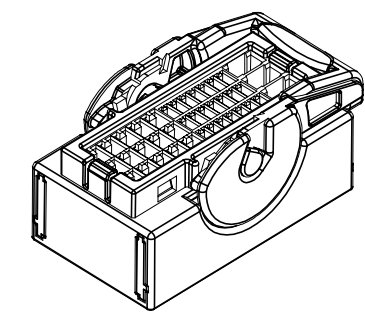
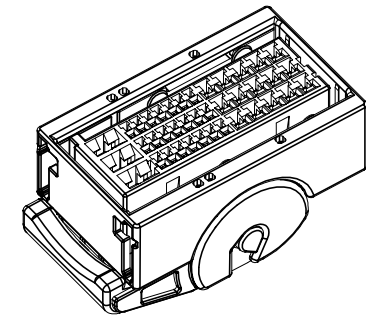
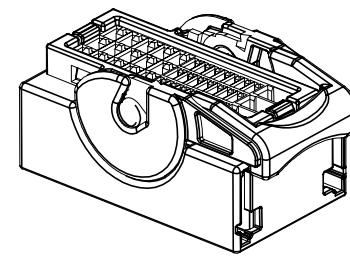
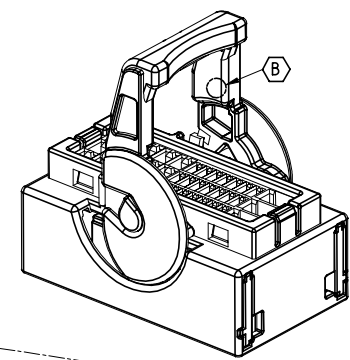
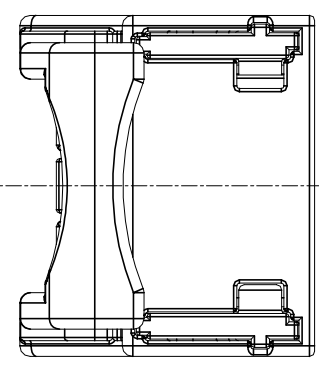
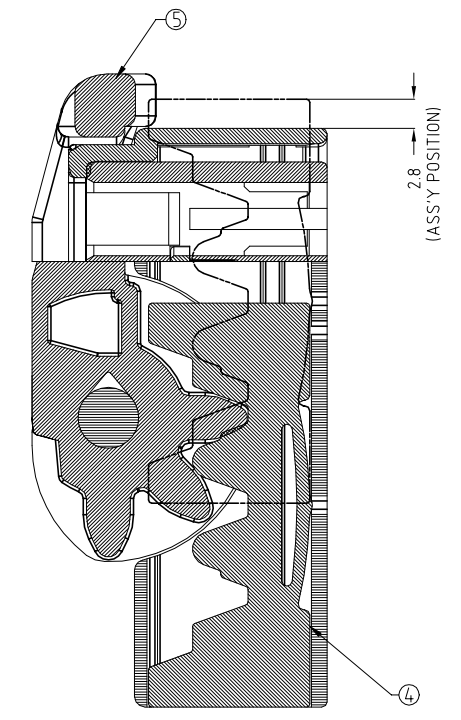


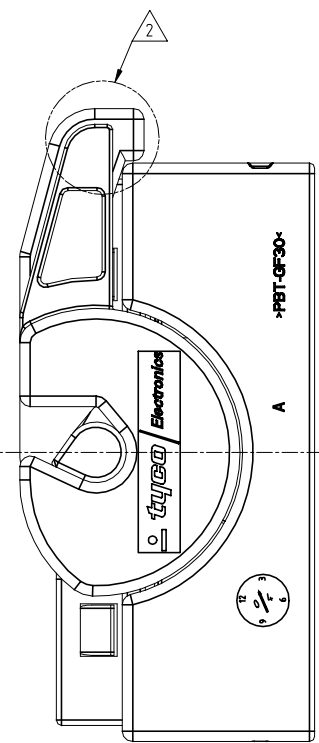
LOC		DIST		REVISIONS			
P	LTR	DESCRIPTION		DATE	DWN	APVD	
B		REVISED (ECR-22-135105)		6/SEP/22	BH	KT	



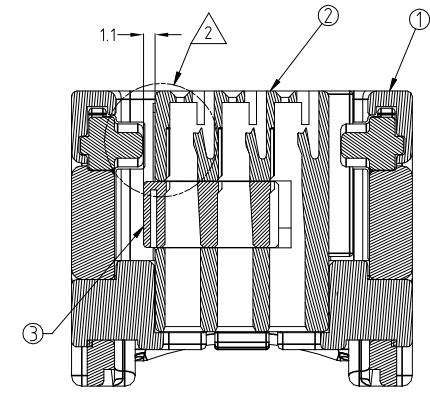
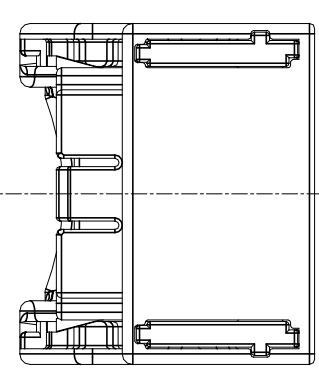
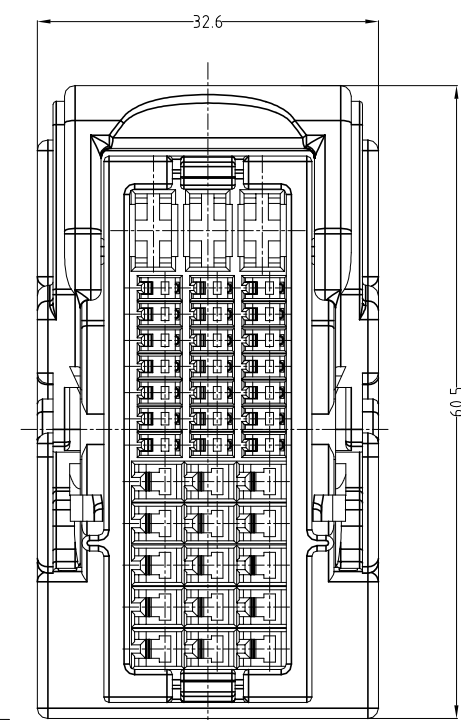
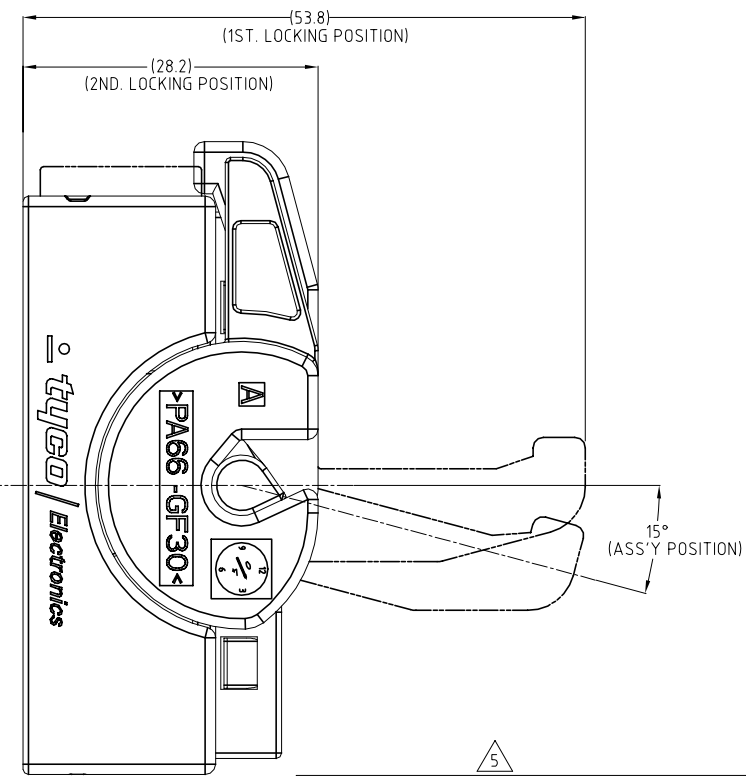
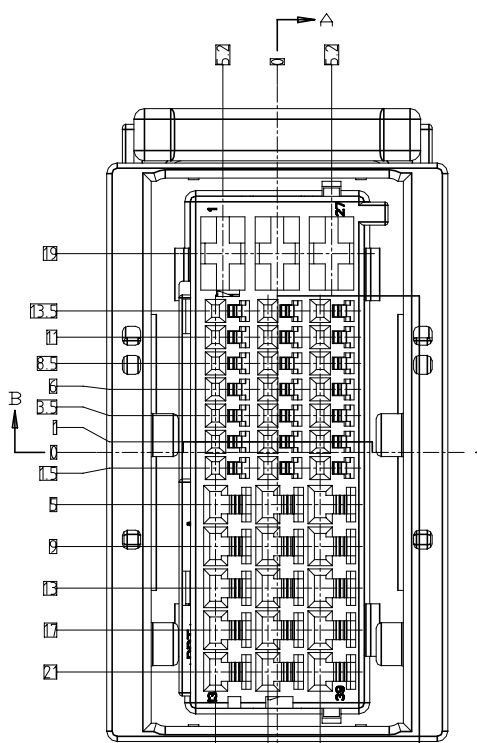
(SCALE 1:1)



SECTION A-A



SCALE 2:1



SECTION B-B

- NOTES:
- GENERAL TOLERANCE IS  $\pm 0.3$
  - CONDITION OF DELIVERY :  
DBL IN 1ST. LOCKING POSITION  
LEVER HSG IN 2ND. LOCKING POSITION
  - APPLIED PLUG ASS'Y P/N: X-1743086-X
  - APPLIED REC. CONTACT P/N: TABLE 1
  - CHECK CONVERSION KEY CODE

SHAPE OF CONVERSION TYPE

0-1743089-9(PURPLE)	0-1743089-2(BLACK)	1-1743089-3(GRAY)

TABLE 1-

TYPE	Part NO.	WIRE SIZE(mm <sup>2</sup> )	MATERIAL/FINISH
.040	0-316836-1	0.3 - 0.85	CuNiSi ALLOY / PRE-TIN
	0-368085-1	0.3 - 0.5	CuNiSi ALLOY / 0--PRE-TIN / 1--GOLD
	1-368085-1		
	0-368084-1	0.85 - 1.25	
	1-368084-1		
0-368083-1	2.0		
1-368083-1			
.250	0-927824-1	2.5 - 4.0	HIGH COPPER ALLOY / PRE-TIN

NO.	P/N	DESCRIPTION	MATERIAL	COLOR	ASS'Y P./NO.			Q'TY
⑤	0-1743094-2	SLIDE HSG	PBT GF30	BLACK	2	2	2	-
④	0-1743093-2	LEVER HSG	PA66 GF30	BLACK	1	1	1	-
③	0-1743092-1	DBL HSG	PBT	NATURAL	1	1	1	-
②	1-1743091-3	SUB PLUG HSG	PBT	GRAY	-	1	-	-
②	0-1743091-9	SUB PLUG HSG	PBT	PURPLE	1	-	-	-
②	0-1743091-2	SUB PLUG HSG	PBT	BLACK	-	-	1	-
①	0-1743090-9	MAIN PLUG HSG	PBT GF30	PURPLE	1	-	-	-
①	0-1743090-3	MAIN PLUG HSG	PBT GF30	GRAY	-	1	-	-
①	0-1743090-2	MAIN PLUG HSG	PBT GF30	BLACK	-	-	1	-

THIS DRAWING IS A CONTROLLED DOCUMENT FOR TYCO ELECTRONICS CORPORATION. IT IS SUBJECT TO CHANGE AND THE CONTROLLING ENGINEERING ORGANIZATION SHOULD BE CONTACTED FOR THE LATEST REVISION.

DWN : HS HER  
 CHK : BM JANG  
 APVD : CS LEE

AMP KOREA, kyungsan, korea

NAME: PLUG ASSEMBLY CONNECTOR FOR HYB. 39POS (.040/.090/.250 SIZE "LIF")

SIZE: A2 CAGE CODE: 00779 DRAWING NO: 1743089 RESTRICTED TO

SCALE: 2/1 SHEET: 1 OF 1 REV: B