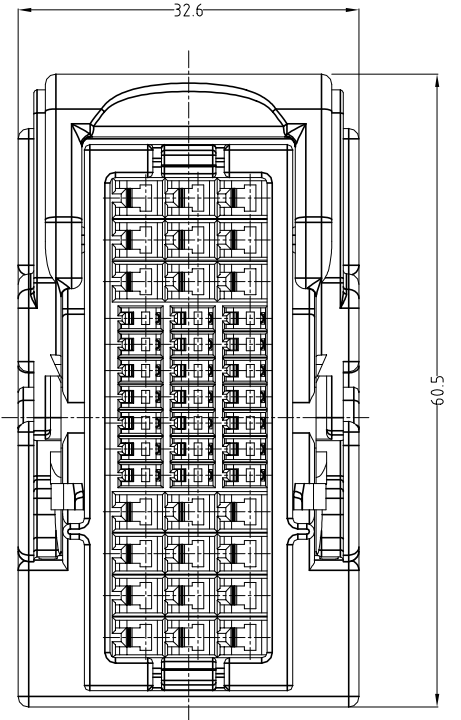
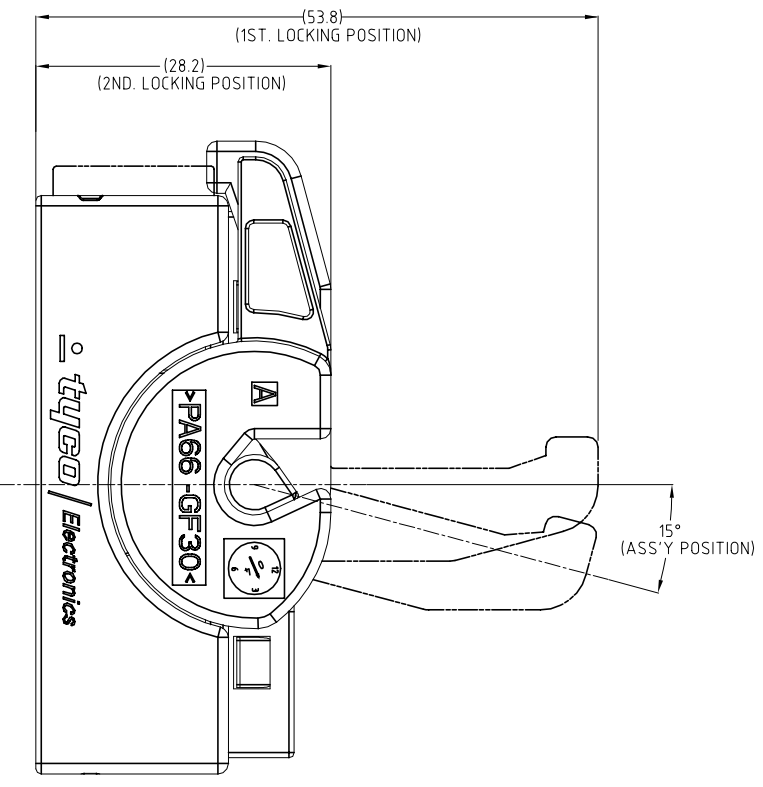
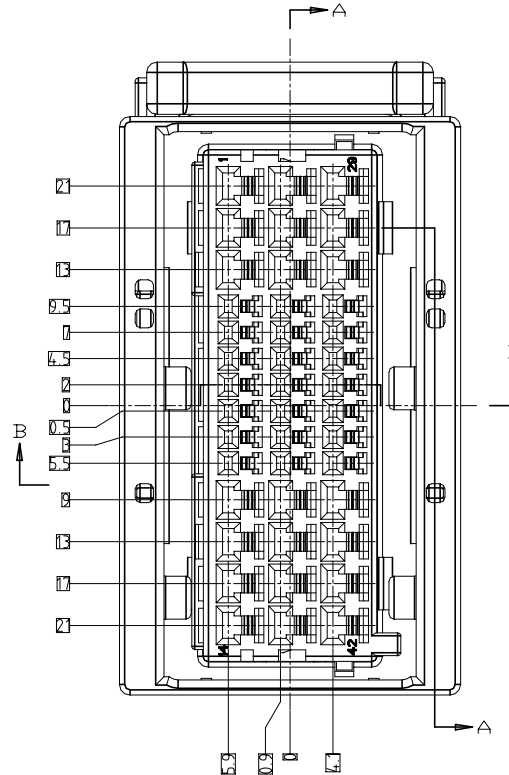
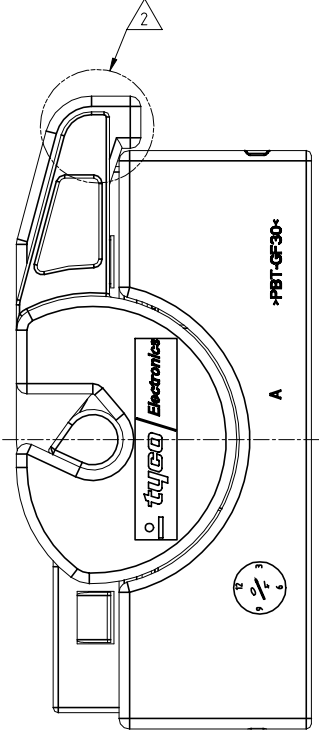
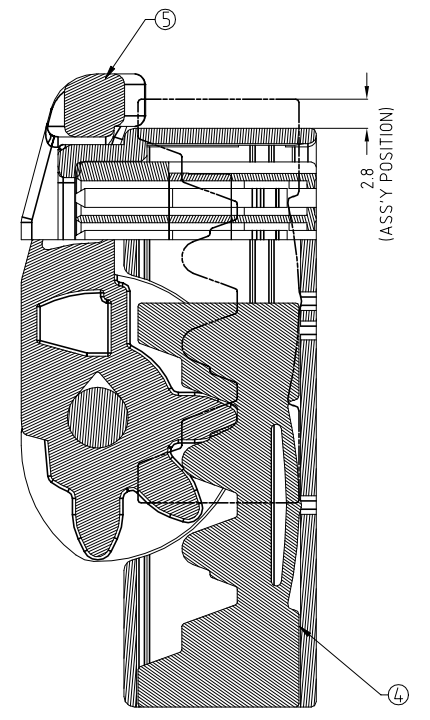
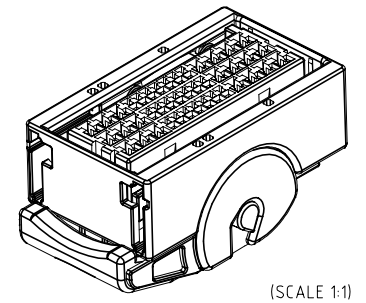
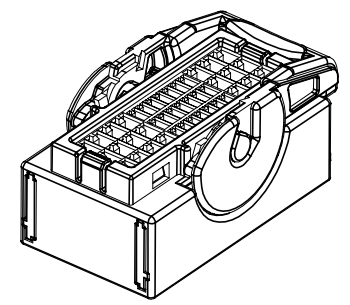
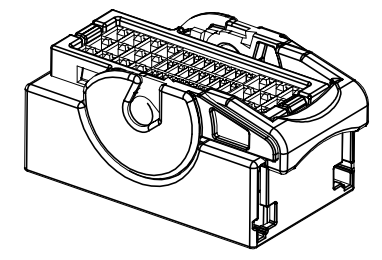
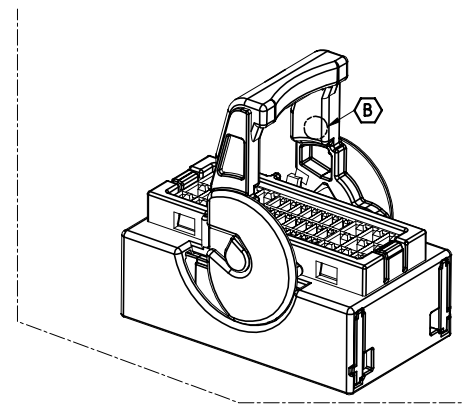
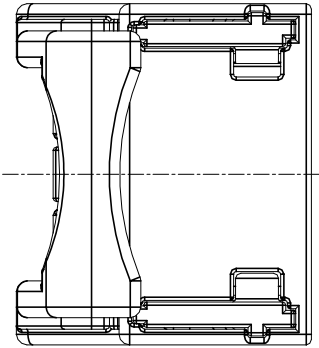
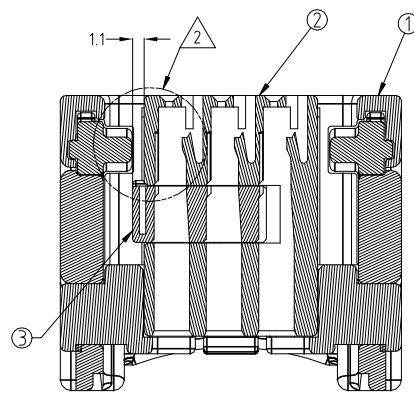
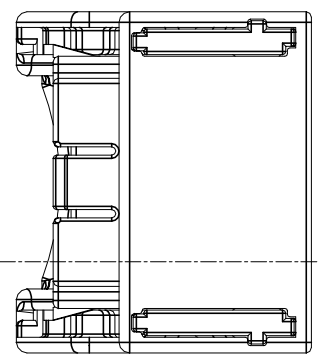


LOC	DIST	REVISIONS					
		P	LTR	DESCRIPTION	DATE	DWN	APVD
DS		B		REVISED(ECR-22-135105)	06/SEP/22	BH	KT



SECTION A-A

SCALE 2:1



SECTION B-B

- NOTES:
- GENERAL TOLERANCE IS ± 0.3
 - CONDITION OF DELIVERY :
 DBL IN 1ST. LOCKING POSITION
 LEVER HSG IN 2ND. LOCKING POSITION
 - APPLIED PLUG ASS'Y P/N: X-1743095-X
 - APPLIED REC. CONTACT P/N : TABLE 1
 - CHACK CONVERSION KEY CODE

TABLE 1

TYPE	Part NO.	WIRE SIZE(mm ²)	MATERIAL/FINISH
.040	0-316836-1	0.3 - 0.85	CuNiSi ALLOY / PRE-TIN
	0-368085-1	0.3 - 0.5	CUNISI ALLOY / 0--PRE-TIN / 1--GOLD
	1-368085-1		
.090	0-368084-1	0.85 - 1.25	CUNISI ALLOY / 0--PRE-TIN / 1--GOLD
	1-368084-1		
	0-368083-1	2.0	CUNISI ALLOY / 0--PRE-TIN / 1--GOLD
1-368083-1			

SHAPE OF CONVERSION TYPE

0-1743098-4(BROWN)	0-1743098-1(WHITE)	1-1743098-8(BLUE)

NO.	COLOR	MATERIAL	DESCRIPTION	ASS'Y P/NO			
				0-1743098-4	1-1743098-8	1-1743098-7	0-1743098-11
⑤	BLACK	PBT GF30	SLIDE HSG	2	2	2	2
④	BLACK	PA66 GF30	LEVER HSG	1	1	1	1
③	NATURAL	PBT	DBL HSG	1	1	1	1
②	BLUE	PBT	SUB PLUG HSG	-	1	-	-
②	GREEN	PBT	SUB PLUG HSG	-	-	1	-
②	BROWN	PBT	SUB PLUG HSG	1	-	-	-
②	WHITE	PBT	SUB PLUG HSG	-	-	-	1
①	BLUE	PBT GF30	MAIN PLUG HSG	-	1	-	-
①	GREEN	PBT GF30	MAIN PLUG HSG	-	-	1	-
①	BROWN	PBT GF30	MAIN PLUG HSG	1	-	-	-
①	WHITE	PBT GF30	MAIN PLUG HSG	-	-	-	1
Q'TY							

THIS DRAWING IS A CONTROLLED DOCUMENT FOR TYCO ELECTRONICS CORPORATION. IT IS SUBJECT TO CHANGE AND THE CONTROLLING ENGINEERING ORGANIZATION SHOULD BE CONTACTED FOR THE LATEST REVISION.

DWN : YD LEE
 CHK : BM JANG
 APVD : CS LEE

AMP KOREA, kyungsan, korea

tyco Electronics

NAME: PLUG ASSEMBLY CONNECTOR FOR HYB. 42POS (.040/.090 SIZE "LIF")

SIZE: A2 CAGE CODE: 00779 DRAWING NO: 1743098 RESTRICTED TO

SCALE: 2/1 SHEET: 1 OF 1 REV: B