

4

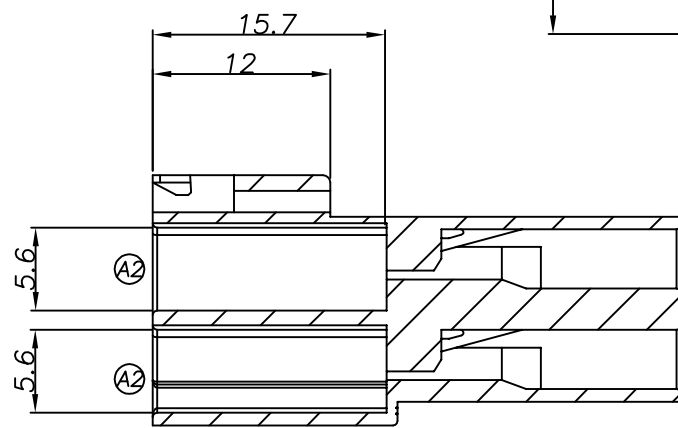
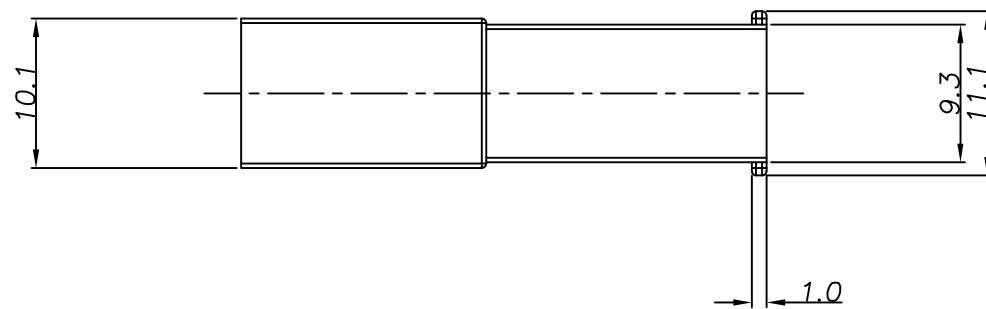
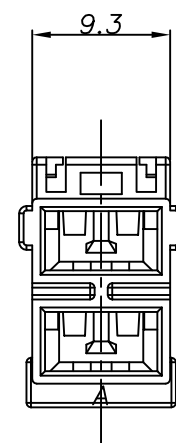
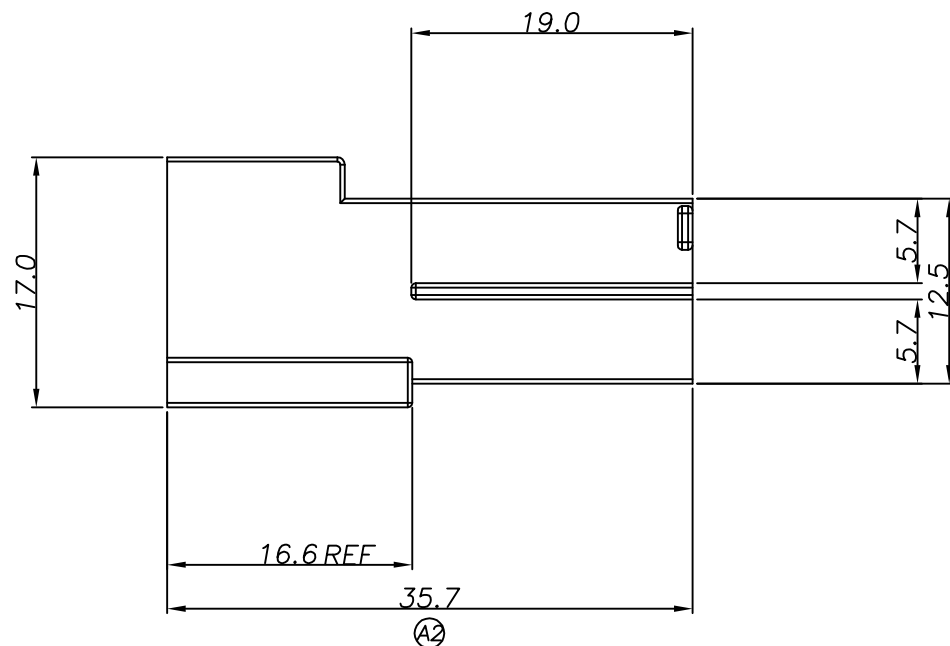
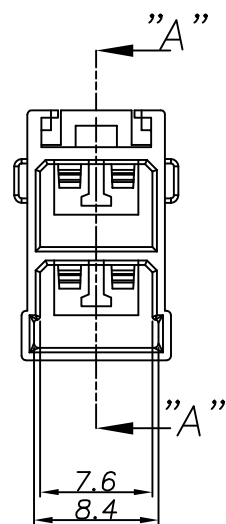
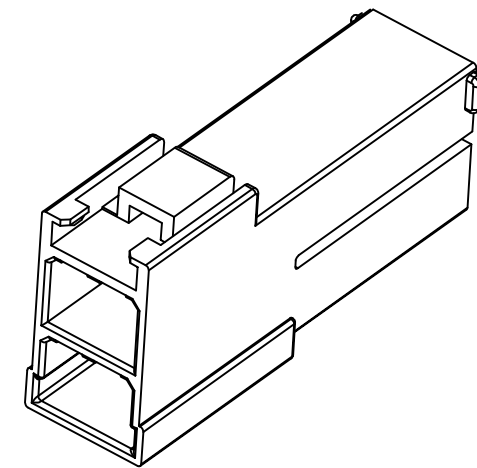
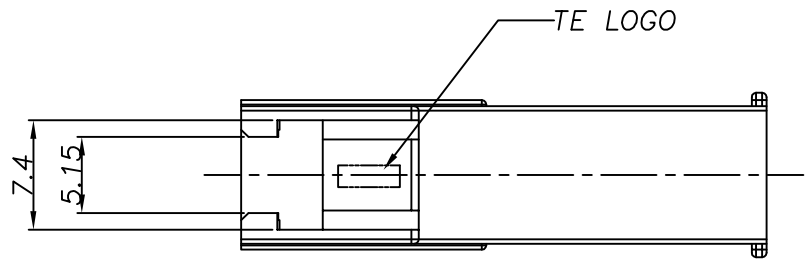
3

2

1

THIS DRAWING IS UNPUBLISHED. RELEASED FOR PUBLICATION
COPYRIGHT BY TYCO ELECTRONICS CORPORATION. ALL RIGHTS RESERVED.

LOC	DIST	REVISIONS			
P	LTR	DESCRIPTION	DATE	DWN	APVD
DS	-	A2	REVISED PER ECR-16-007713	07JUN'16	BH BW



SECTION "A-A"

- NOTES
 1. GENERAL TOLERANCE : ±0.25 , ±3°
 2. MATERIAL : 6/6 NYLON
 3. MATING TAB HOUSING : X-1743102-X
 4. APPLICABLE CONTACT P/N : 175179-X

1-1743103-1	6/6 NYLON,V-0	NATURAL
1743103-1	6/6 NYLON,V-2	NATURAL
P/N	MATERIAL	COLOR

DIMENSIONS: MM		TOLERANCES UNLESS OTHERWISE SPECIFIED:		DWN	TE Connectivity		
		0 PLC	±	BH	187 POSITIVE LOCK 2P TAB HSG		
		1 PLC	±	CHK			
		2 PLC	±	APVD			
		3 PLC	±	BW			
		4 PLC	±	KANG	PRODUCT SPEC	NAME	
		ANGLES	±		APPLICATION SPEC	SIZE	CAGE CODE
					WEIGHT	DRAWING NO	RESTRICTED TO
MATERIAL	FINISH					A3	00779
SEE TABLE						C=	1743103
					CUSTOMER DRAWING	SCALE	2/1
						SHEET	1 OF 1
						REV	A2