

4

3

2

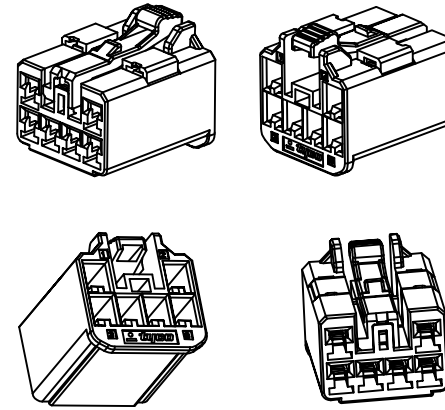
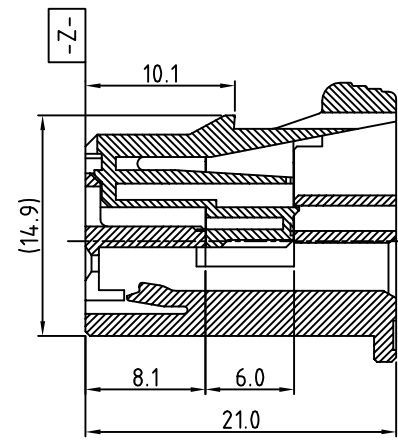
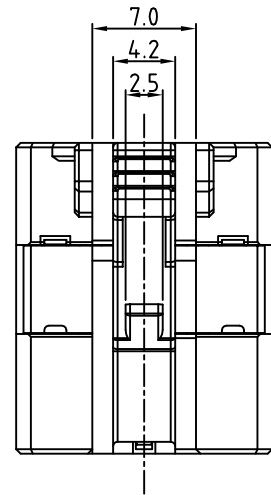
1

THIS DRAWING IS UNPUBLISHED. RELEASED FOR PUBLICATION
COPYRIGHT BY TYCO ELECTRONICS CORPORATION, ALL RIGHTS RESERVED.

LOC DS DIST -

REVISIONS

P	LTR	DESCRIPTION	DATE	DWN	APVD
	B1	REVISED (ECR-08-029644)	24/NOV/08	YM	HG
	B2	REVISED (ECR-12-018768)	28/SEP/12	JM	HG

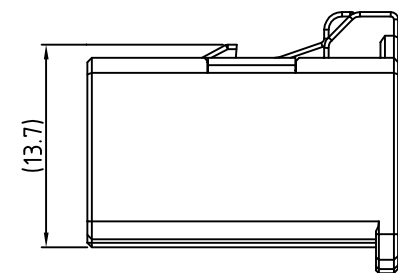
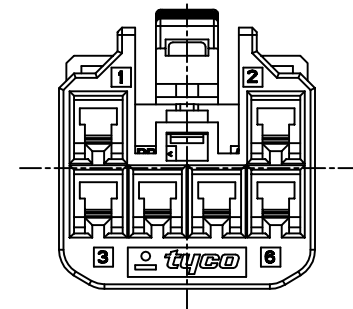
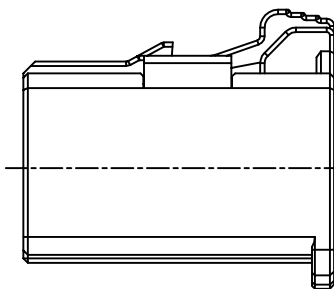
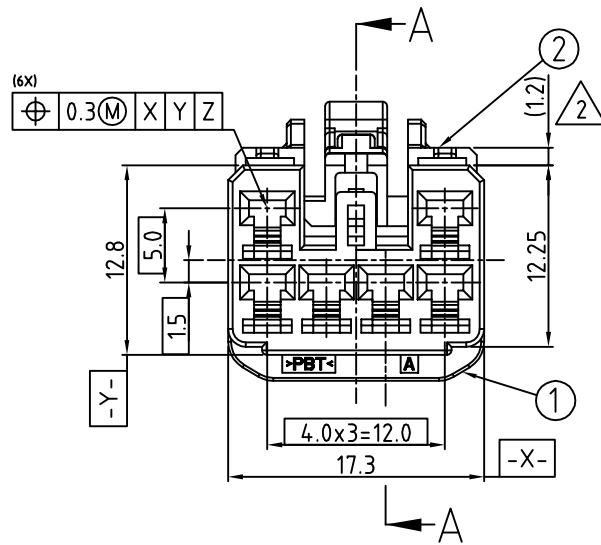


3D VIEW
SCALE 1/1

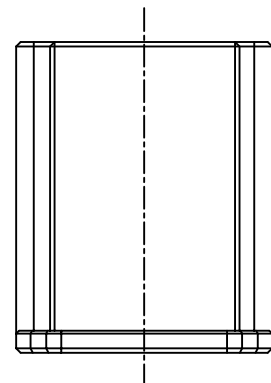
SHAPE OF CONVERSION TYPE (TABLE 1.)	
0-1743184-X (TYPE A)	1-1743184-X (TYPE B)

NOTES.

- 1. APPLIED CONTACT P/N ;
090 REC. - 368083, 368084, 368085 (B1)
1743654, 1743655, 1743656, 1897598, 1897753
- 2. CONDITION OF DELIVERY :
DBL IN 1ST LOCKING POSITION



Shape after 2nd LOCK



NO.	DESCRIPTION	MATERIAL	COLOR/FINISH	Q'TY									
				ASS'Y P/N	0-1743184-1	0-1743184-2	0-1743184-3	0-1743184-7 (B2)	0-1743184-8	1-1743184-2	1-1743184-3 (B1)	1-1743184-4	1-1743184-5
2	DBL HSG	PBT	BLACK	-	-	-	-	-	1	1	1	1	1
	DBL HSG	PBT	NATURAL	1	1	1	1	1	-	-	-	-	-
1	PLUG HSG	PBT	BLUE	-	-	-	-	1	-	-	-	-	1
	(B2) PLUG HSG	PBT	GREEN	-	-	-	1	-	-	-	-	-	
	PLUG HSG	PBT	YELLOW	-	-	-	-	-	-	-	-	1	-
	PLUG HSG	PBT	BROWN	-	-	-	-	-	-	-	1	-	-
	PLUG HSG	PBT	GRAY	-	-	1	-	-	-	1	-	-	-
	PLUG HSG	PBT	NATURAL	1	-	-	-	-	1	-	-	-	-

control priority dimension;
 CRITICAL, MAJOR, MINOR

THIS DRAWING IS A CONTROLLED DOCUMENT FOR TYCO ELECTRONICS CORPORATION
IT IS SUBJECT TO CHANGE AND THE CONTROLLING ENGINEERING ORGANIZATION
SHOULD BE CONTACTED FOR THE LATEST REVISION.

DIMENSIONS: mm
 TOLERANCES UNLESS OTHERWISE SPECIFIED:
 DECIMALS: ± 0.3
 ANGLES: ± 3°
 3rd ANGLE PROJECTION

MATERIAL: SEE TABLE
 FINISH:

DWN : JM JEON
 CHK : JW JUNG
 APVD : HG CHD
 PRODUCT SPEC
 APPLICATION SPEC (B1) 114-61004, 114-61014
 WEIGHT
 CUSTOMER DRAWING

TE TE Connectivity

NAME: 090III 6P PLUG ASS'Y(2ROW) FOR FOG SWITCH

SIZE: A3 CAGE CODE: 00779 DRAWING NO: 1743184 RESTRICTED TO: -
 SCALE: 2:1 SHEET: 1 OF 1 REV: B2