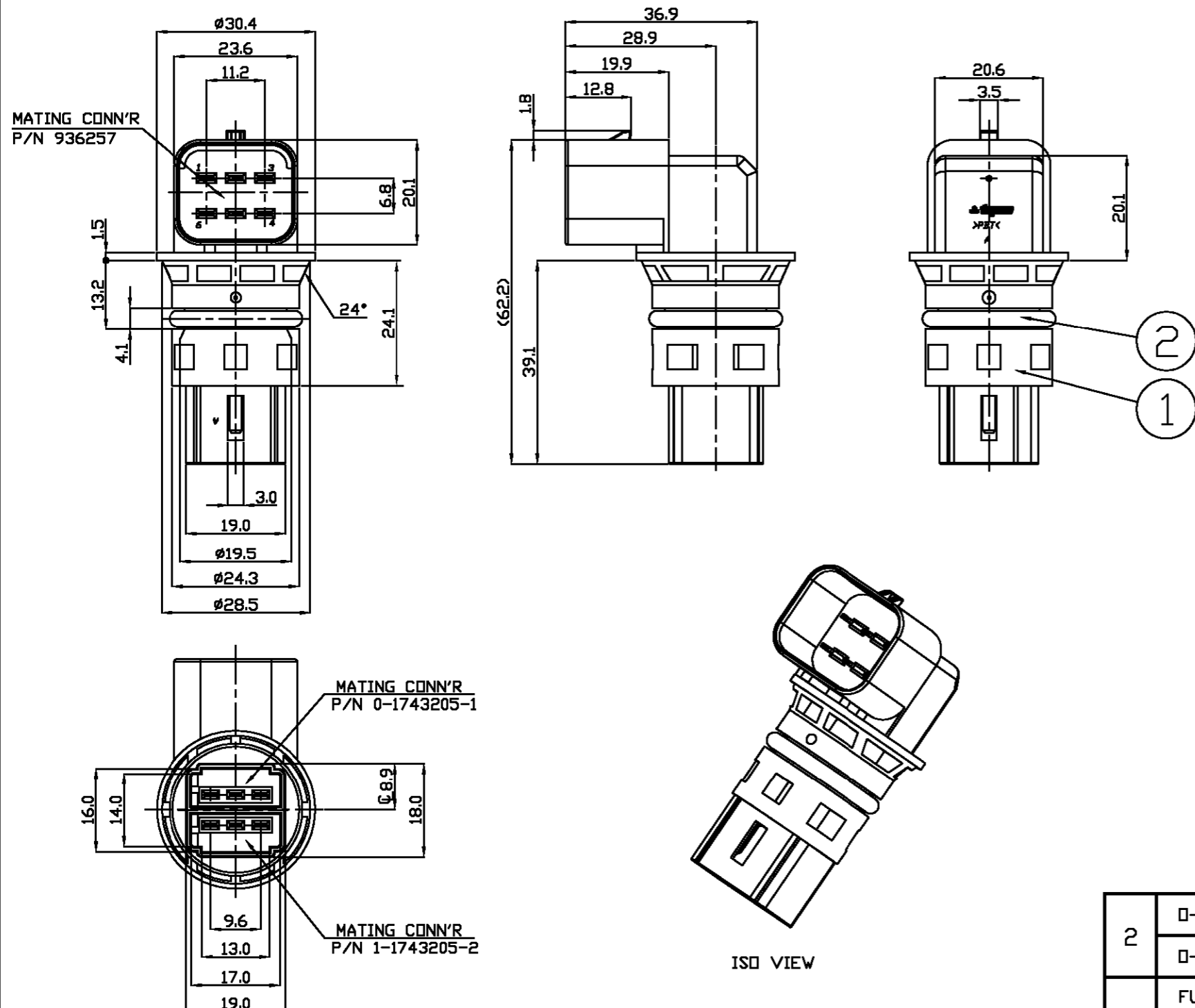


LOC	DIST	REVISIONS					
		P	LTR	DESCRIPTION	DATE	DWN	APVD
DS		A		RELEASED	12/APR/05	CH	CS
		A1		REVISED (ECR-05-003872)	27/JUL/05	CH	JK



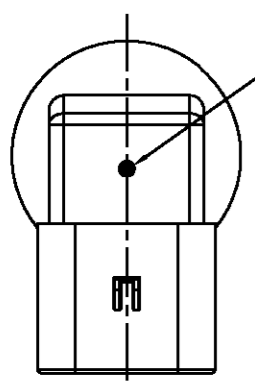
- NOTES;
- MUST BE FREE OF BURR AND DEFORMATION THAT AFFECT FUNCTION ON PRODUCT
 - APPLICABLE PLUG HSG. :
MEP-E SEALED 6P PLUG ASS'Y, P/N 936257
090III 3P PLUG HSG. P/N 0-1743205-1, 1-1743205-2
 - APPLICABLE TERMINAL :
MCP-E 936606-1, 936607-1
090III 368083-1, 368084-1, 368085-1
 - SERVICE CONDITION OF THIS PART ARE AS FOLLOWS.
- WHERE TO BE INSTALLED: INSIDE FUEL TANK
- TEMP. : -30°C~80°C
- SERVICE FUEL: UNLEADED GASOLINE AND ALCOHOL BALANCED GASOLINE(ETHANOL 10%, METHANOL 15%)

<주 기>.

- 기능상 유해한 BURR, 변형등이 없을 것
- 적용 HOUSING :
MCP-E SEALED 6P PLUG ASS'Y, 936257
090III 3P PLUG HSG, 0-1743205, 1-1743205-1
- 적용 TERMINAL :
MCP-E 936606-1, 936607-1
090III 368083-1, 368084-1, 368085-1
- 부품의 사용조건은 하기에 따름
설치 장소 : 연료탱크 내
온도 : -30°C ~ 80°C
사용 연료 : 무연 가솔린 및 혼합 가솔린
(에탄올 10%, 메탄올 10%)

PART NO	PART NAME	3-1743193-1	2-1743193-1	1-1743193-1	0-1743193-1
FUEL PUMP 5(6)P ASSY FOR TG-6P	FUEL PUMP 5(6)P ASSY FOR TG-6P	FUEL PUMP 5(6)P ASSY FOR TG-5P	FUEL PUMP 5(6)P ASSY FOR TG-5P	FUEL PUMP 5(6)P ASSY FOR TG-5P	FUEL PUMP 5(6)P ASSY FOR TG-5P

NO.	DESCRIPTION	PART NO	MATERIAL	COLOR	QT'Y
2	O-RING FOR FUEL PUMP 5(6)P HSG ASSY	1-1743803-1	FKM	GREEN	1 0 1 0
	O-RING FOR FUEL PUMP 5(6)P HSG ASSY	0-1743803-1	H-NBR	BLACK	0 1 0 1
1	FUEL PUMP 6P HSG ASSY	1-1743194-1	PBT	NATURAL	1 1 0 0
	FUEL PUMP 5P HSG ASSY	0-1743194-1	PBT	NATURAL	0 0 1 1



<TABLE> (A1)

ASSEMBLED O-RING MATERIAL	P/N	COLOR DOT
H-NBR(BLACK)	0-1743193-1	BLACK
	2-1743193-1	
FKM(GREEN)	1-1743193-1	GREEN
	3-1743193-1	

THIS DRAWING IS A CONTROLLED DOCUMENT FOR TYCO ELECTRONICS CORPORATION. IT IS SUBJECT TO CHANGE AND THE CONTROLLING ENGINEERING ORGANIZATION SHOULD BE CONTACTED FOR THE LATEST REVISION.

DWN CH PARK
CHIK BM JANG
APVD JK SONG
PRODUCT SPEC
APPLICATION SPEC
MATERIAL FINISH
WEIGHT

tyco AMP KOREA, kyungsan, korea
Electronics

NAME: FUEL PUMP 5(6)P ASSY FOR TG-5(6)P

SIZE: A3 CAGE CODE: 00779 DRAWING NO: 1743193 RESTRICTED TO: C

SCALE: 1/1 SHEET: 1 OF 1 REV: A1