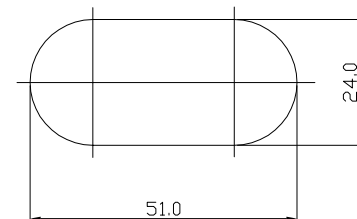
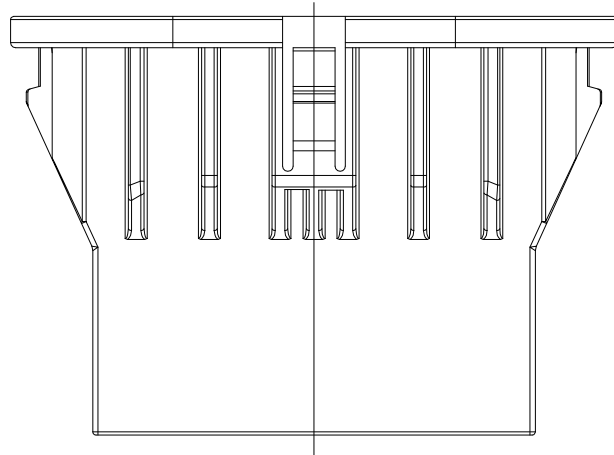
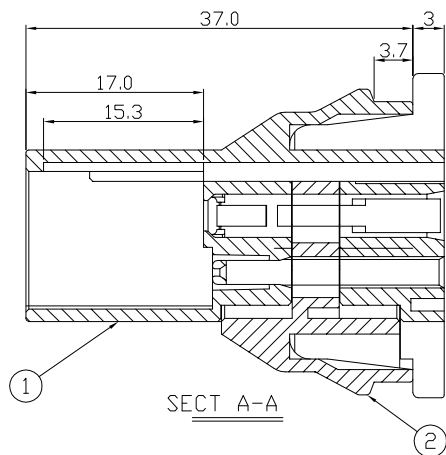
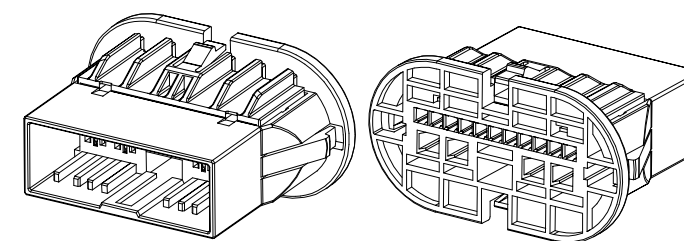


THIS DRAWING IS UNPUBLISHED. RELEASED FOR PUBLICATION  
© COPYRIGHT BY TYCO ELECTRONICS CORPORATION. ALL RIGHTS RESERVED.

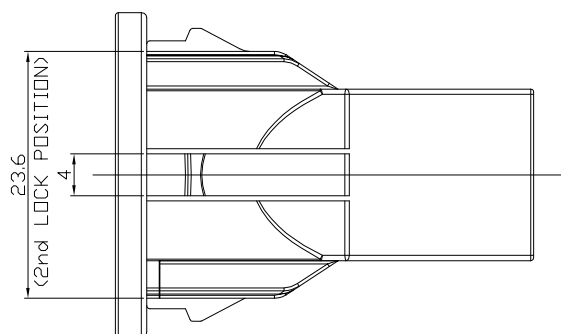
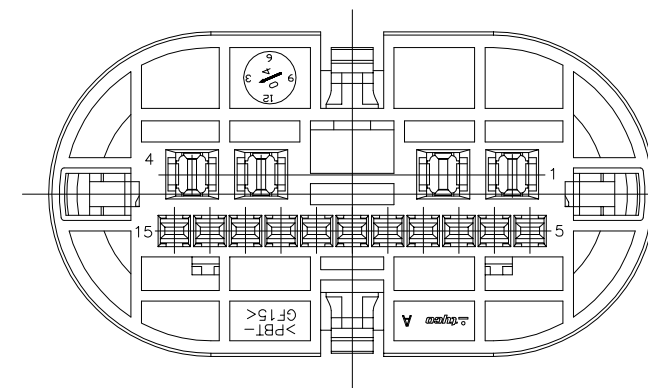
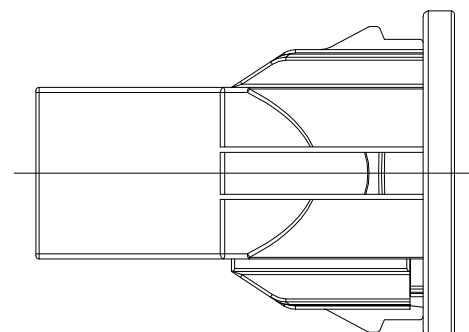
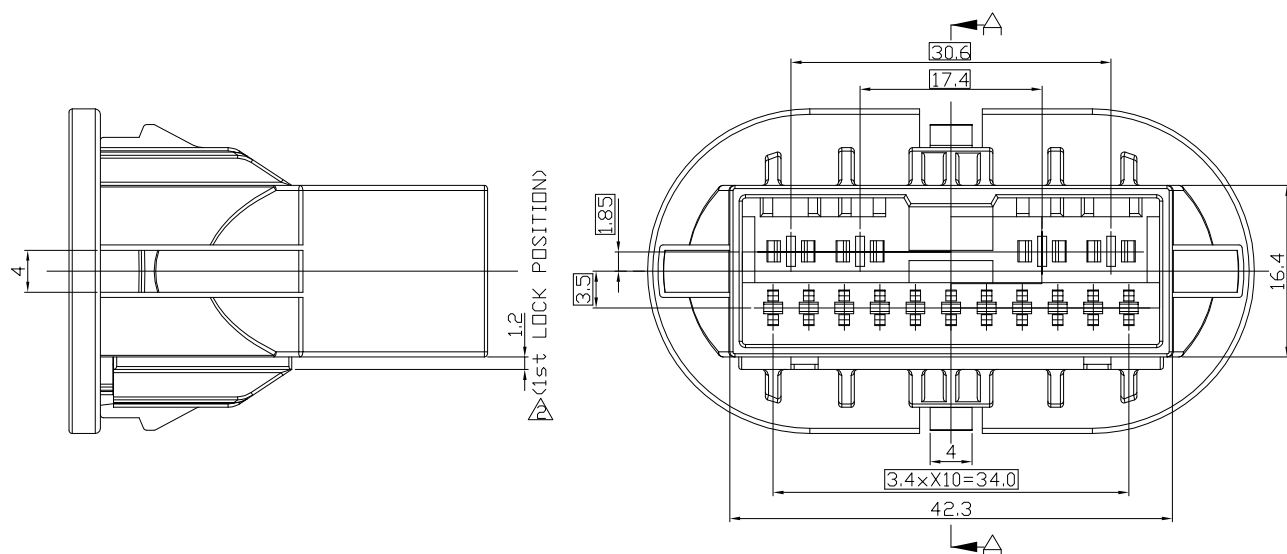
REVISIONS					
P	LTR	DESCRIPTION	DATE	DWN	APVD
	A	RELEASED	08.MAR.'06	IS	JK
	A1	REVISED (ECR-15-001332)	27.JAN.'15	JM	HG



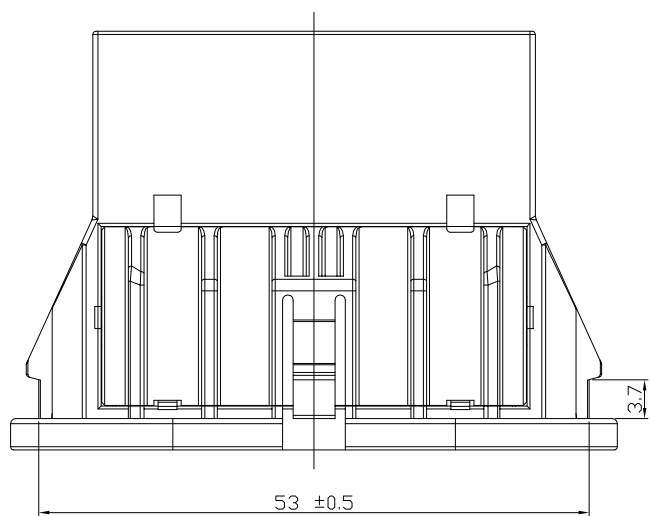
PANEL HOLE SIZE (t=0.7)  
SCALE 1/1



ISO VIEW  
SCALE 1/1



2nd LOCK POSITION



NOTE:  
1. GENERAL TOLERANCE IS ±0.3, ±3°  
2. CONDITION OF DELIVERY : DBL PLATE IN OPEN POSITION.  
3. APPLIED RECEPTACLE CONTACT P/N:

	PART No.	WIRE SIZE(mm <sup>2</sup> )
MTII 1.5 TAB	0-964265-2	0.2-0.5mm <sup>2</sup>
	0-964267-2	0.5-1.0mm <sup>2</sup>
MCP-E 2.8 TAB	0-1743423-1	0.3-0.5mm <sup>2</sup>
	0-1743424-1	0.75-1.25mm <sup>2</sup>
	0-1743425-1	1.5-2.5mm <sup>2</sup>
	④ 0-1743426-1	3.0mm <sup>2</sup>

4. APPLICABLE PLUG PART No.: X-1743262-X

QTY	NAME	P/NO	COLOR	MATERIAL	REMARK
2	DBL	0-1743261-5	YELLOW	PBT-GF15	1
1	CAP	0-1743260-1	NATURAL	PBT-GF10	1

DIMENSIONS: MM		TOLERANCES UNLESS OTHERWISE SPECIFIED	
0 PLC	±	1 PLC	±
1 PLC	±	2 PLC	±
2 PLC	±	3 PLC	±
3 PLC	±	4 PLC	±
4 PLC	±	ANGLES	±
MATERIAL	SEE TABLE	FINISH	-

THIS DRAWING IS A CONTROLLED DOCUMENT FOR TYCO ELECTRONICS CORPORATION IT IS SUBJECT TO CHANGE AND THE CONTROLLING ENGINEERING ORGANIZATION SHOULD BE CONTACTED FOR THE LATEST REVISION.

DWN: JM JEDN  
CHK: JW JUNG  
APVD: HG CHD  
PRODUCT SPEC: -  
APPLICATION SPEC: -  
WEIGHT: -  
CUSTOMER DRAWING

**TE** TE Connectivity

NAME: 2.8/1.5mm HYBRID 15P CAP ASS'Y FOR DOOR CONNECTOR

SIZE: A2 CAGE CODE: 00779 DRAWING NO: 1743259 RESTRICTED TO: -  
SCALE: 2/1 SHEET: 1 OF 1 REV: A1