

4

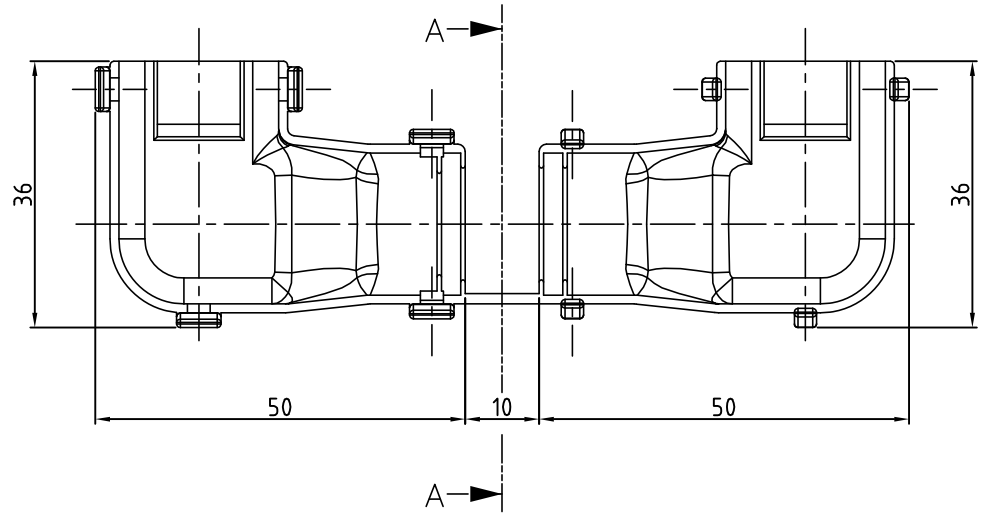
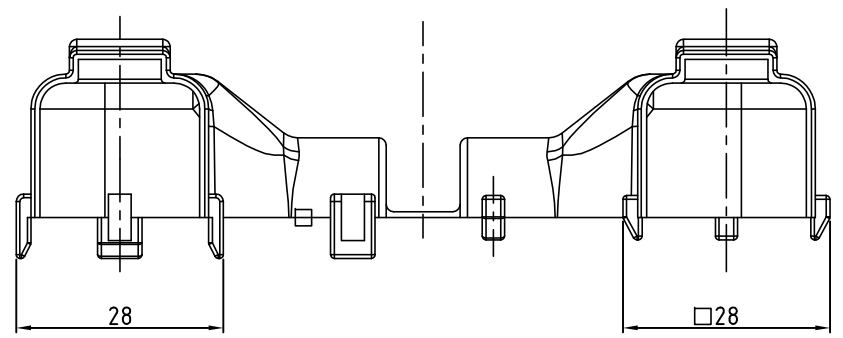
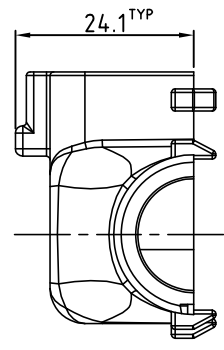
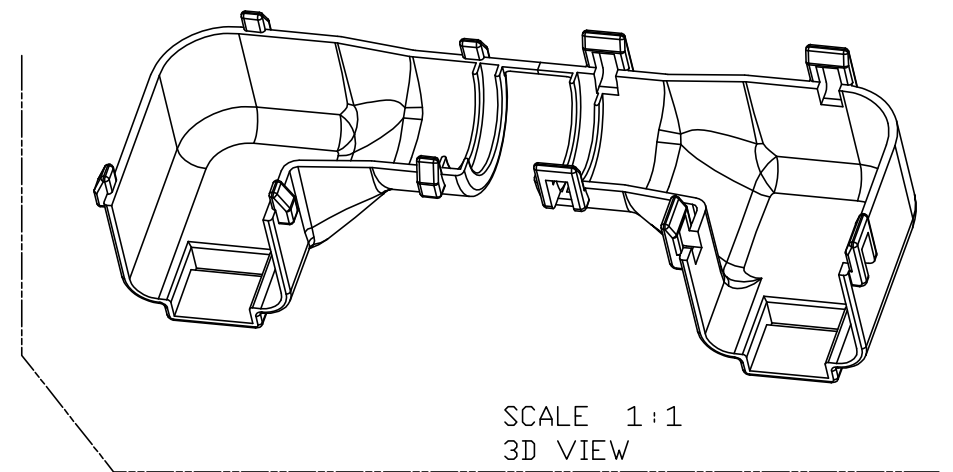
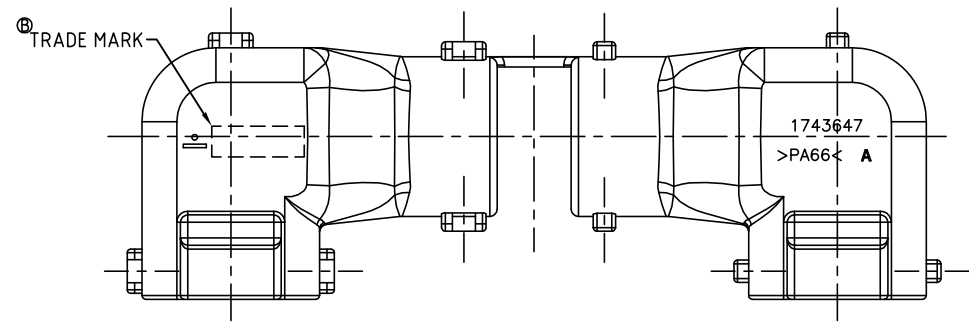
3

2

1

THIS DRAWING IS UNPUBLISHED. RELEASED FOR PUBLICATION
 © COPYRIGHT BY TYCO ELECTRONICS CORPORATION. ALL RIGHTS RESERVED.

LOC	DIST	REVISIONS					
		P	LTR	DESCRIPTION	DATE	DWN	APVD
DS	—		B	REVISED (ECR-10-024983)	07/DEC/10	SJ	HG



NOTES;

1. WARP IS 0.5 MAX. AND FLASH IS 0.3 MAX.
2. APPLICABLE CONNECTOR : X-1743062-X
3. APPLICABLE CORRUGATOR DIAMETER : ϕ 14.0
4. APPLICATION TEST SPEC. : MS210-06C (EXCEPT 4.4)

control priority dimension; <input checked="" type="checkbox"/> CRITICAL, <input checked="" type="checkbox"/> MAJOR, <input type="checkbox"/> MINOR		0-1743647-2		CAP COVER		PA 66		BLACK			
THIS DRAWING IS A CONTROLLED DOCUMENT FOR TYCO ELECTRONICS CORPORATION. IT IS SUBJECT TO CHANGE AND THE CONTROLLING ENGINEERING ORGANIZATION SHOULD BE CONTACTED FOR THE LATEST REVISION.		PART NO.		DESCRIPTION		MATERIAL		COLOR			
DIMENSIONS: mm		DWN : SJ CHOI		Tyco Electronics kyungsan, korea							
TOLERANCES UNLESS OTHERWISE SPECIFIED: DECIMALS ; \pm 0.3 ANGLES ; \pm 3'		CHK : JW JUNG									
3rd ANGLE PROJECTION		APVD : HG CHO		NAME							
MATERIAL SEE TABLE		PRODUCT SPEC		COVER HSG FOR MTII/JPT SLD 36P CAP ASS'Y (TYPE "A")							
FINISH		APPLICATION SPEC		SIZE		CAGE CODE		DRAWING NO		RESTRICTED TO	
		WEIGHT		A3		00779		C-1743647			
		CUSTOMER DRAWING		SCALE 2/1		SHEET 1 OF 1		REV B			