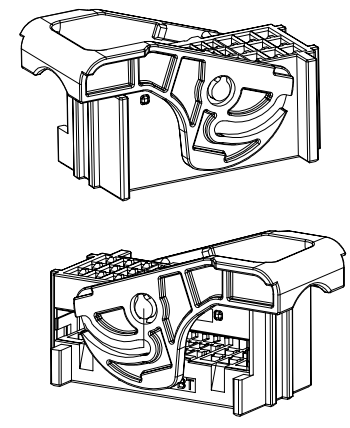
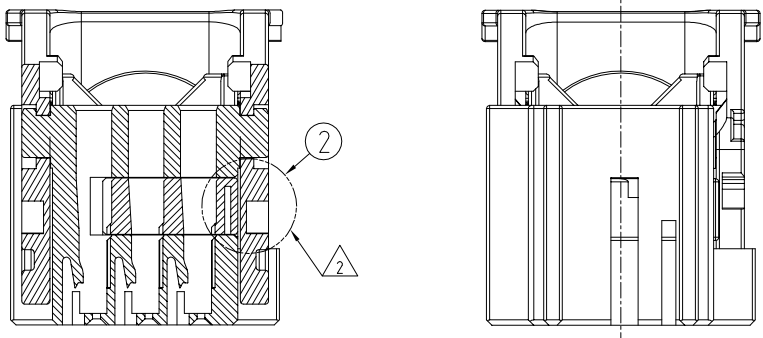


REVISIONS					
P	LTR	DESCRIPTION	DATE	DWN	APVD
A		RELEASED	20/MAR/06	YD.	JK
B		REVISED(ECR-10-014219)	10/AUG/10	SJ	HG
C		REVISED (ECR-15-014383)	21/MAR/14	JM	HG

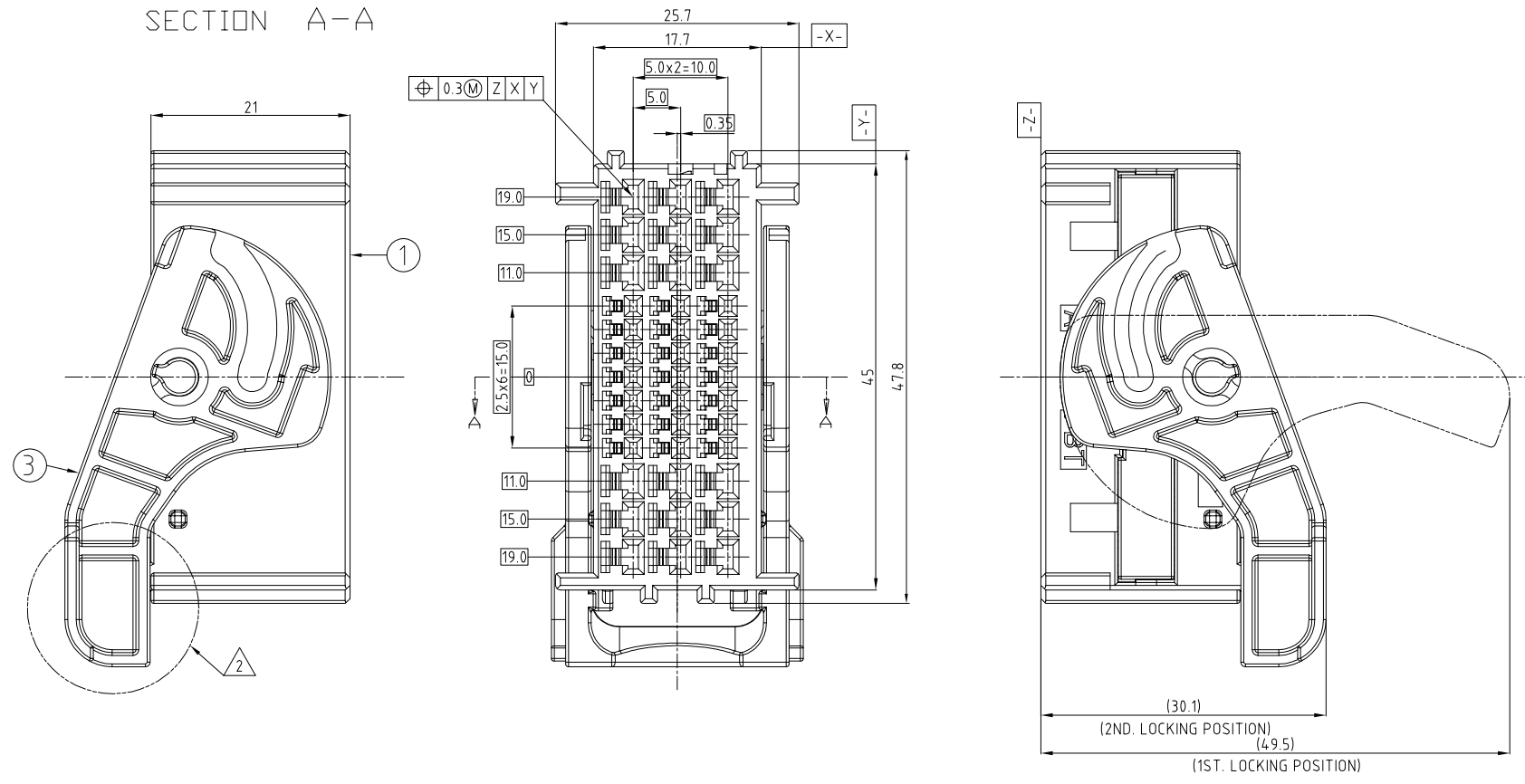


(SCALE 1:1)

- NOTES:
1. GENERAL TOLERANCE IS  $\pm 0.3, \pm 3^\circ$
  2. CONDITION OF DELIVERY :  
DBL IN 1ST. LOCKING POSITION  
LEVER HSG IN 2ND. LOCKING POSITION
  3. APPLIED PLUG ASS'Y P/N: X-1743528-X
  4. APPLIED REC. CONTACT P/N : TABLE 1
  5. CHECK CONVERSION KEY CODE



SECTION A-A



SHAPE OF CONVERSION TYPE (TABLE 1.)	
0-1743531-8 (BLUE)	1-1743531-2 (BLACK)
3.0	5.0

TABLE 1-

TYPE	Part NO.	WIRE SIZE(mm <sup>2</sup> )	MATERIAL/FINISH
.040	0-316836-1	0.3 - 0.85	CuNiSi ALLOY / PRE-TIN
	0-368085-1	0.3 - 0.5	CuNiSi ALLOY / 0--PRE-TIN / 1--GOLD
1-368085-1			
.090	0-368084-1	0.85 - 1.25	CuNiSi ALLOY / 0--PRE-TIN / 1--GOLD
	1-368084-1		
	0-368083-1	2.0	
	1-368083-1		

NO.	P/N	DESCRIPTION	MATERIAL	COLOR	ASS'Y P/NO.			
					Q'TY			
3	0-1743534-2	LEVER HSG	PBT GF10	BLACK	1	1	-	-
2	0-1743533-1	DBL HSG	PBT	NATURAL	1	1	-	-
1	0-1743653-8	PLUG HSG	PBT	BLUE	1	-	-	-
1	1-1743653-2	PLUG HSG	PBT	BLACK	-	1	-	-

THIS DRAWING IS A CONTROLLED DOCUMENT FOR TYCO ELECTRONICS CORPORATION. IT IS SUBJECT TO CHANGE AND THE CONTROLLING ENGINEERING ORGANIZATION SHOULD BE CONTACTED FOR THE LATEST REVISION.

DWN: JM JEON  
 CHK: JW JUNG  
 APVD: HG CHO  
 PRODUCT SPEC  
 APPLICATION SPEC  
 WEIGHT

**TE** TE Connectivity

NAME: 040/090 HYBRID 39P PLUG ASS'Y FOR LIF CONNECTOR(RHD)

SIZE: A2 CAGE CODE: 00779 DRAWING NO: 1743652 RESTRICTED TO: C

CUSTOMER DRAWING SCALE: 2/1 SHEET: 1 OF 1 REV: C