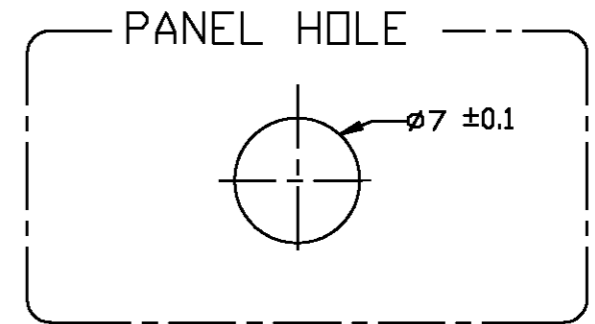
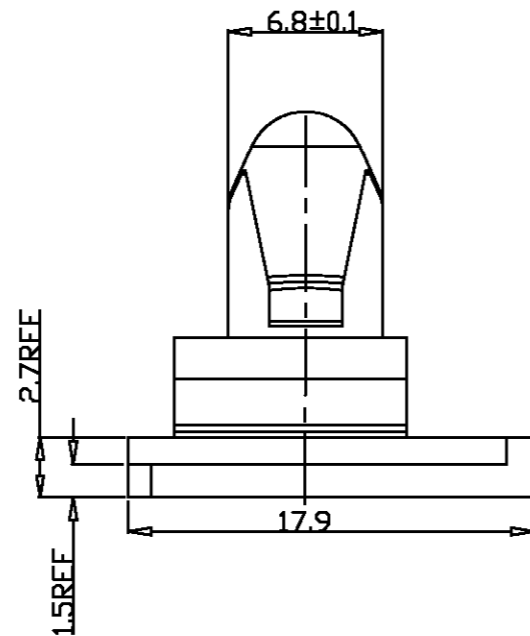
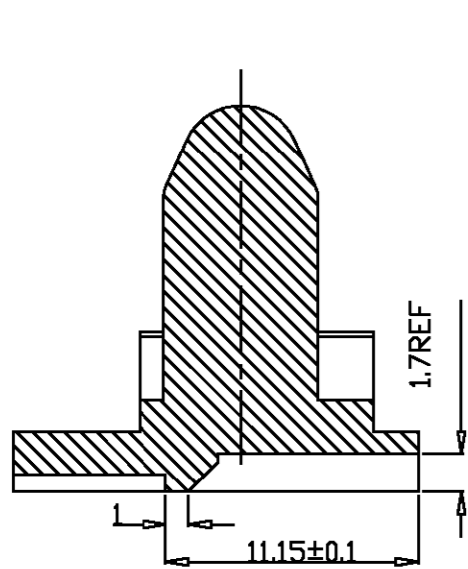
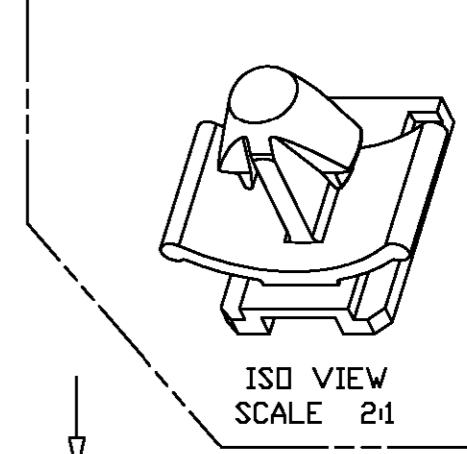
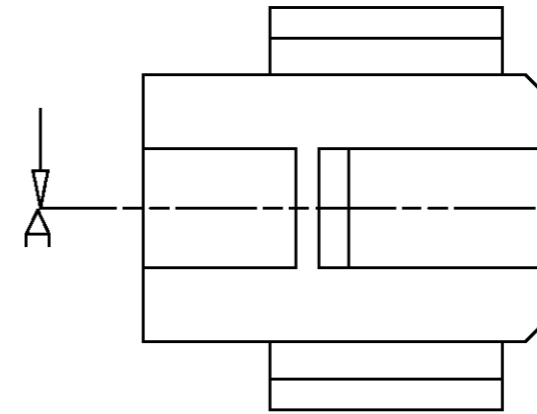
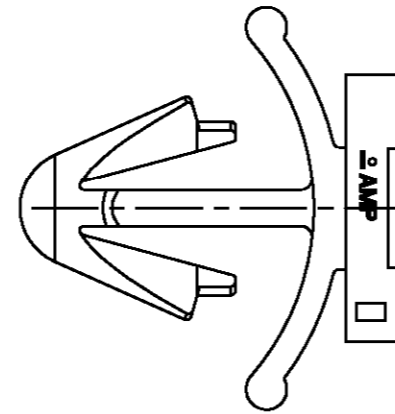
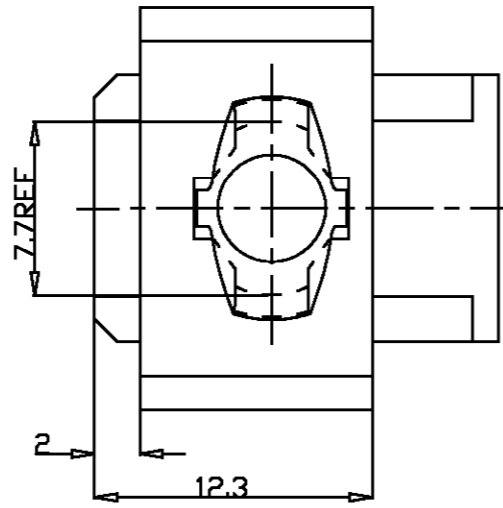
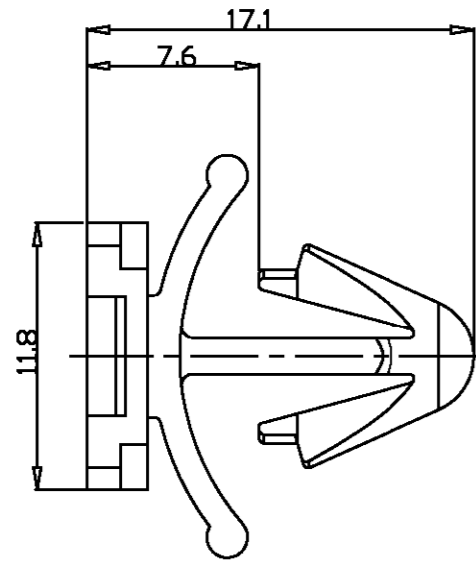


P	LTR	DESCRIPTION	DATE	DWN	APVD
	A	RELEASED	10/JAN'06	SJ	JK



PANEL THICKNESS: 2.5~3.5mm

NOTE

- 1. GENERAL TOLERANCE: ± 0.3 , $\pm 3^\circ$
- 2. NO WEATHERABILITY TEST IS REQUIRED

1743699-2	PA 66	BLACK
P/N	MATERIAL	COLOR

THIS DRAWING IS A CONTROLLED DOCUMENT FOR TYCO ELECTRONICS CORPORATION
IT IS SUBJECT TO CHANGE AND THE CONTROLLING ENGINEERING ORGANIZATION
SHOULD BE CONTACTED FOR THE LATEST REVISION.

DIMENSIONS	TOLERANCES UNLESS OTHERWISE SPECIFIED
MM	
	0 PLC \pm
	1 PLC \pm
	2 PLC \pm
	3 PLC \pm
	4 PLC \pm
	ANGLES \pm
MATERIAL	FINISH

DWN	SJ PARK
CHK	BM JANG
APVD	JK SONG
PRODUCT SPEC	
APPLICATION SPEC	
WEIGHT	

		Tyco Electronics Kyungsan Korea	
NAME			
CLIP HSG FOR 2.8mm SEALED CAP ($\phi 7$ HOLE)			
SIZE	CAGE CODE	DRAWING NO	RESTRICTED TO
A3	00779	©=1743699	
SCALE	SHEET	OF	REV
3:1	1	1	A