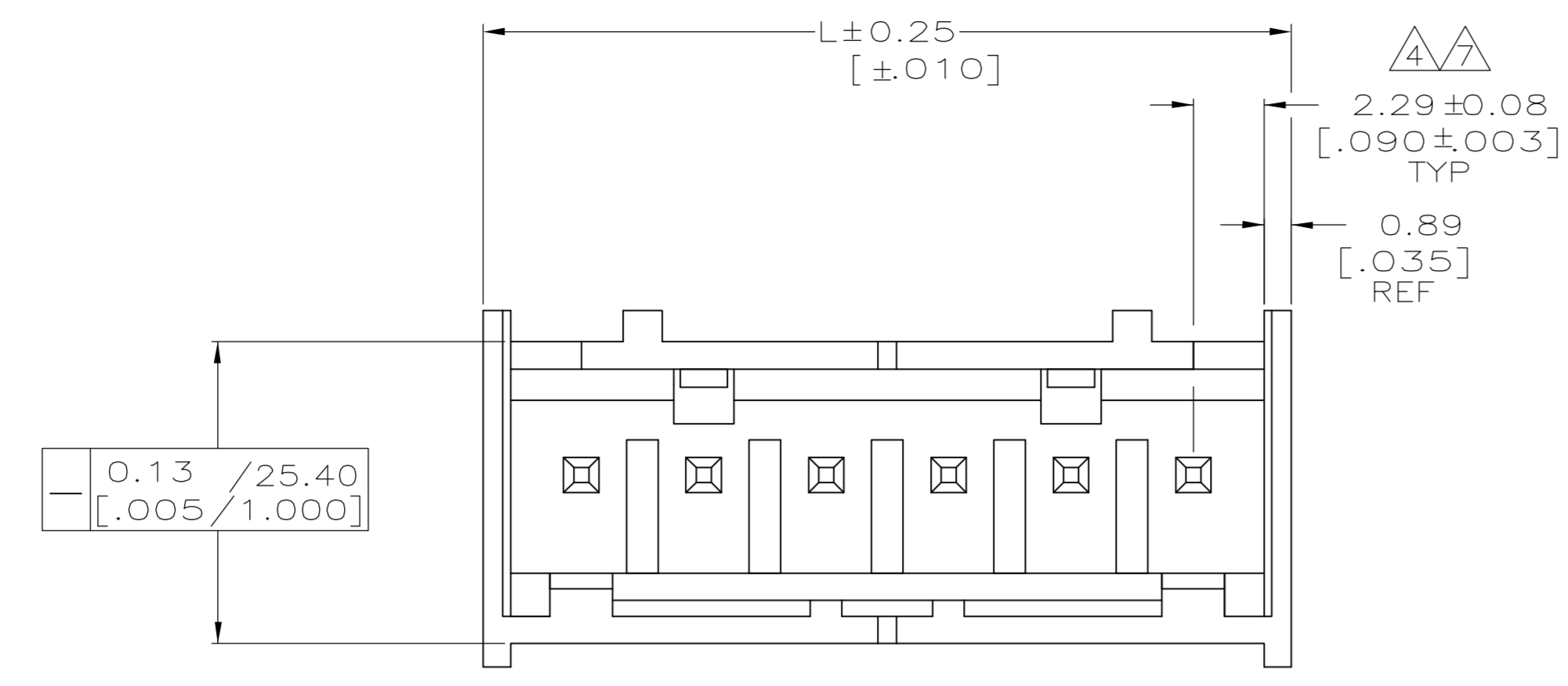
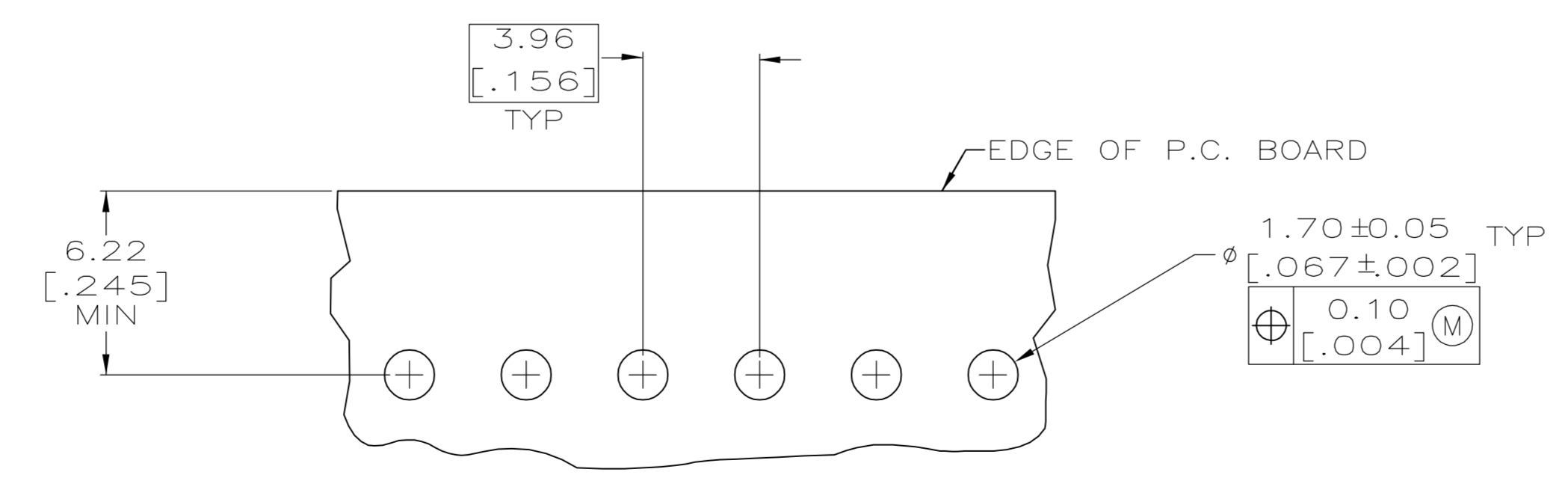
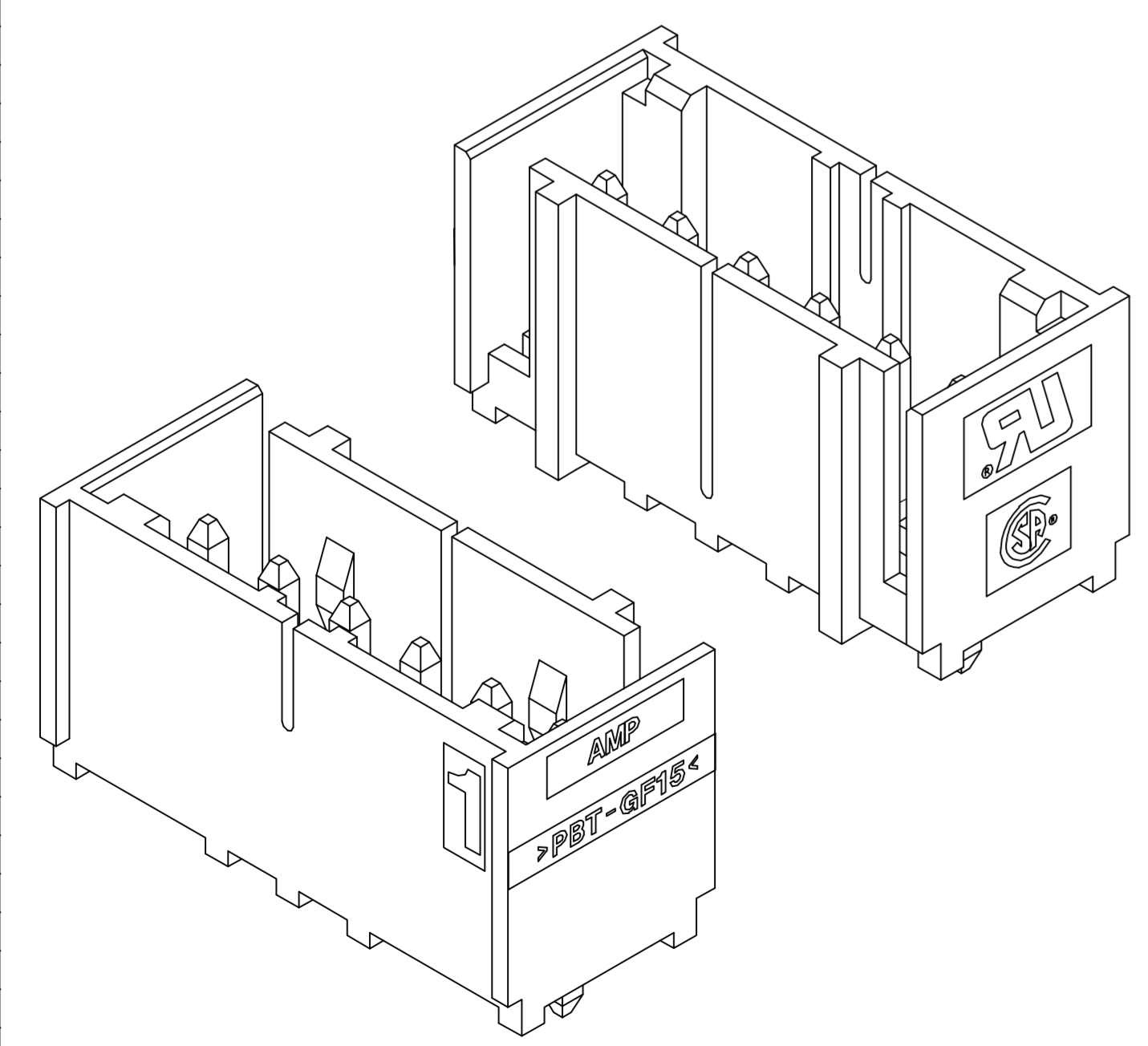
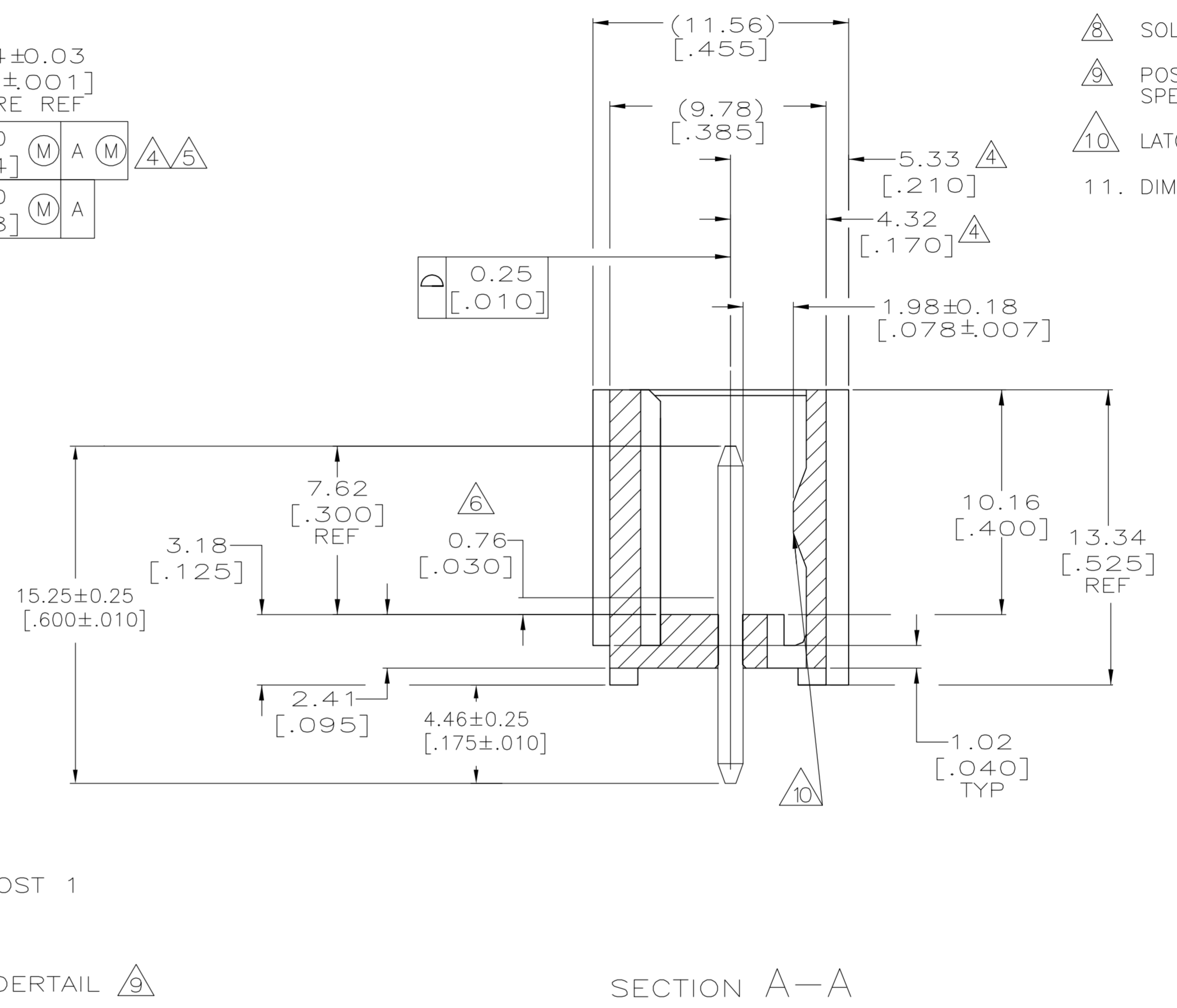
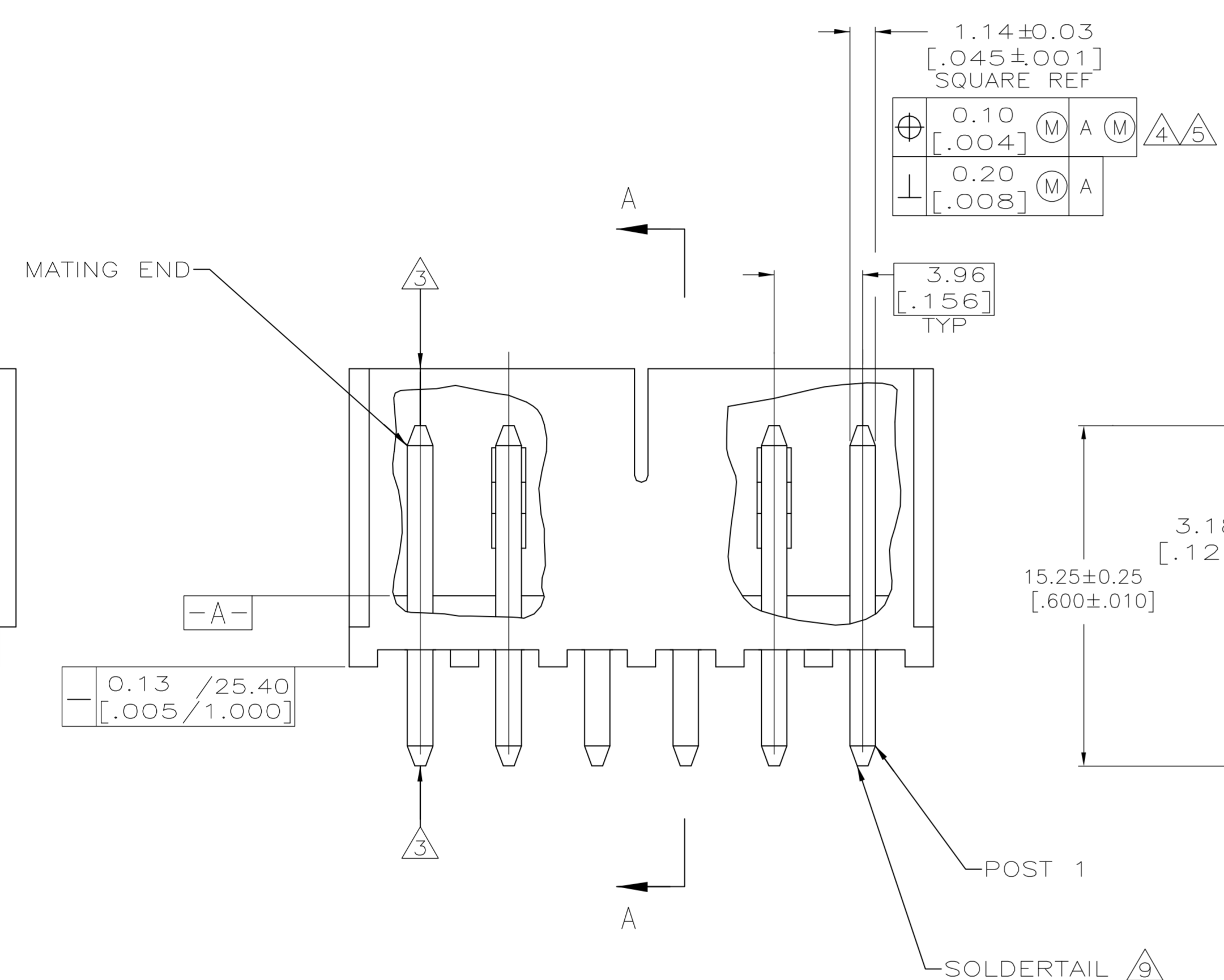


LOC		DIST		REVISIONS			
CM	00	REV	DATE	BY	APP'D	DATE	BY
A		REVISED PER ECO-05-007854	31AUG05	KW	DB		



- △ MATERIAL:
HOUSING - THERMOPLASTIC POLYESTER, GLASS FILLED, UL94-0.
POST - COPPER ALLOY
 - △ FINISH:
HOUSING - BLACK
POST - BRIGHT TIN PLATE 0.00381 [.000150] MIN THICK OVER
NICKEL UNDERPLATE 0.00127 [.000050] MIN. THICK.
 - △ POST TO WITHSTAND 3LBS (16N) MIN AXIAL FORCE IN THIS DIRECTION WITHOUT DISLODGING.
 - △ APPLIES AT -A-
 - △ APPLIES WHEN HEADER IS STRAIGHT.
 - △ PLASTIC PROJECTIONS PERMITTED IN THIS ZONE.
 - △ COORDINATE DIMENSIONS APPLIES FROM CENTER OF ACTUAL FEATURE.
 - △ SOLDER SIDE OF BOARD IS SHOWN.
 - △ POST SOLDER TAIL MUST COMPLY WITH AMP SOLDERABILITY SPEC 109-11-2.
 - △ LATCH DETENT FEATURE APPEARS 1 PLACE ON EACH END OF PART.
11. DIMENSIONS IN BRACKETS ARE IN INCHES.



2-1744143-6 SHOWN

MM	IN	NO OF POSN	PART NUMBER
42.01	1.654	10	3-1744143-0
38.05	1.498	9	2-1744143-9
34.09	1.342	8	2-1744143-8
30.12	1.186	7	2-1744143-7
26.16	1.030	6	2-1744143-6
22.20	.874	5	2-1744143-5
18.24	.718	4	2-1744143-4

RECOMMENDED MOUNTING HOLE PATTERN FOR 1.57[.062] THICK P.C. BOARD

METRIC

THIS DRAWING IS A CONTROLLED DOCUMENT.

DIMENSIONS: mm [INCHES]	TOLERANCES UNLESS OTHERWISE SPECIFIED:	DWN: K. WHITAKER 21APR2005		Tyco Electronics Corporation Harrisburg, Pa 17105-3608
0 PLC ±	1 PLC ±	CHK: D. BOSSI 21APR2005		NAME: MTA-156 SHROUDED HEADER ASSEMBLY, STRAIGHT .045 SQUARE POST, TIN, W/O RETENTION PEG
2 PLC ±	3 PLC ±	APVD: D. BOSSI 21APR2005	APPLICATION SPEC	SIZE: A1
4 PLC ±	ANGLES ± 0°30'	FINISH	WEIGHT	SCALE: 5:1
MATERIAL	FINISH	CUSTOMER DRAWING	DRAWING NO: 1744143	SHEET 1 OF 1
			REV A	