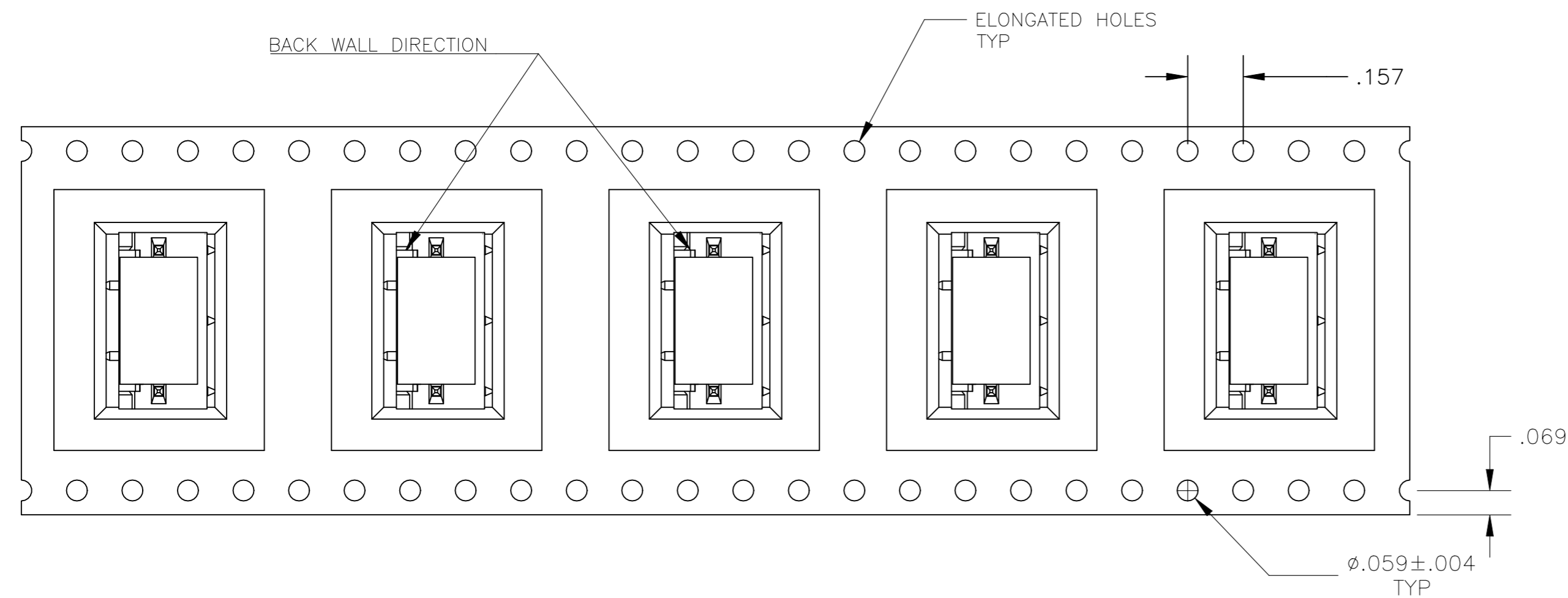
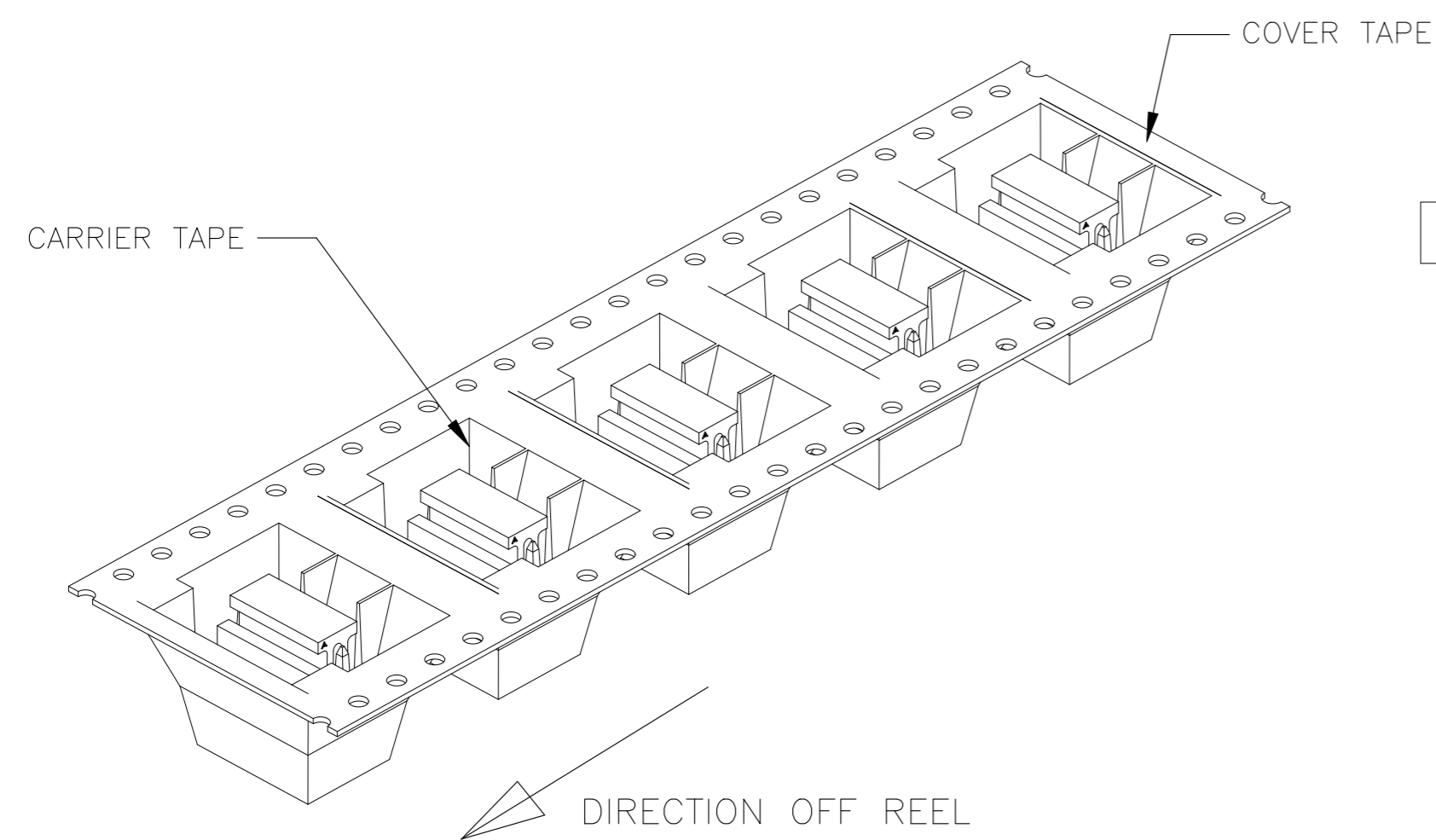
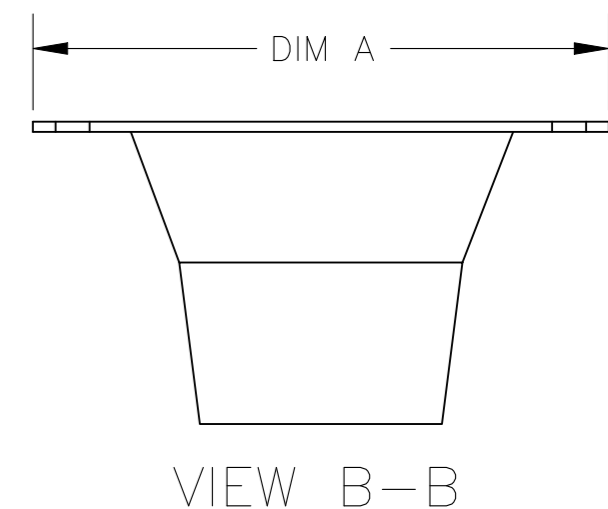
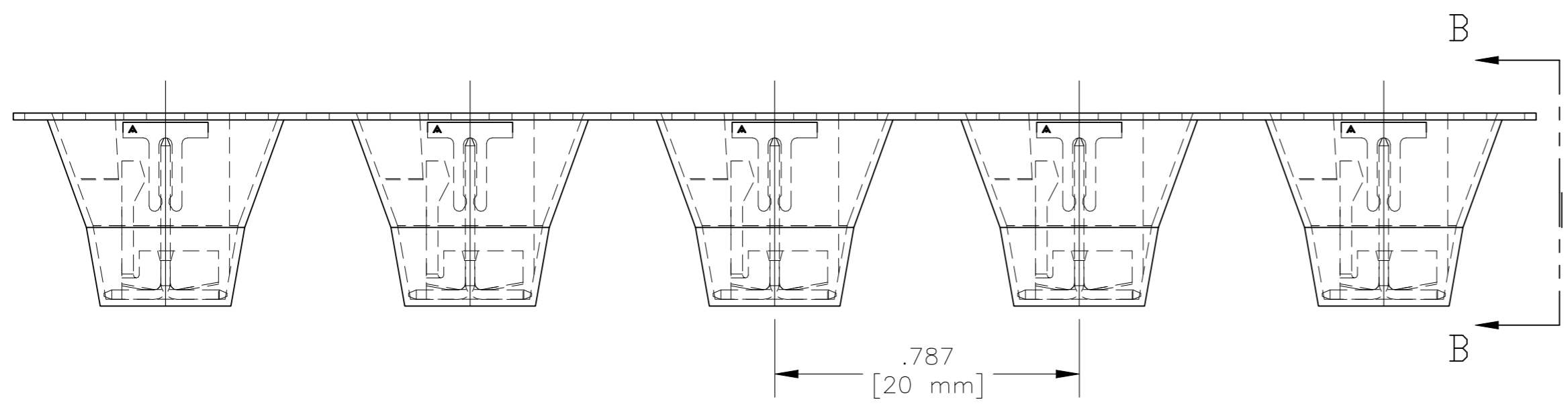


REVISIONS					
P	LTR	DESCRIPTION	DATE	DWN	APVD
B1		REVISED PER ECR-24-218975	03SEP2024	AN	JP



- 1 MATERIAL:
HOUSING- NYLON, UL94V-0, BLACK
CONTACT- COPPER ALLOY
CAVITY CARRIER TAPE- BLACK CONDUCTIVE PLOYCARBONATE
- 2 FINISH:
CONTACT - TIN PLATE
- 3 POST TO WITHSTAND 13 NEWTONS [3 LBS] MIN AXIAL FORCE IN THIS DIRECTION WITHOUT DISLODGING, BEFORE SOLDERING.
- 4 POSTS SOLDER TAILS MUST COMPLY WITH TE SOLDERABILITY SPEC 109-11-2.
- 5 MEASURED AT $\square-A$
- 6 APPLIES WHEN HEADER IS HELD STRAIGHT
- 7 COORDINATE DIM APPLIES FROM CENTER OF ACTUAL FEATURE.
- 8 DIMENSION APPLY TO THE COMPONENT SIDE OF BOARD
- 9 MAX TEMP EXPOSURE DURING REFLOW SOLDERING MAY NOT EXCEED 280°C [536°F].
- 10 HEADERS ARE SUPPLIED ON A 330.2mm [13] DIAMETER REEL WITH 225 PARTS PER REEL. THE CAVITY CARRIER TAPE HOLDS 1 PART PER POCKET, ORIENTED AS SHOWN.
- 11 TE LOGO, UL AND CSA TRADEMARKS MARKED AT THIS LOCATION
- 12 PRIMARY REELING DIRECTION
- 13 REVERSE REELING DIRECTION



OBSOLETE	1.73 [44mm]	972366-5	1-1706504-2	147117-5	12	4-647166-2	1-1744382-2
	1.73 [44mm]	972366-5	1706504-8	147117-5	8	3-647166-8	1744382-8
	1.73 [44mm]	972366-5	1706504-7	147117-5	7	3-647166-7	1744382-7
	1.73 [44mm]	972366-5	1706504-6	147117-5	6	3-647166-6	1744382-6
	1.26 [32mm]	972366-4	1706504-5	147117-5	5	3-647166-5	1744382-5
	DIM A	COVER TAPE	CARRIER TAPE	PICK AND PLACE CAP	NO. OF POSITIONS	HEADER ASSEMBLY	PART NO

THIS DRAWING IS A CONTROLLED DOCUMENT.

DWN	jr ruth	30MAR11
CHK	SAM MACE	30MAR11
APVD	SAM MACE	30MAR11
PRODUCT SPEC	108-1050	
APPLICATION SPEC	114-1019	
WEIGHT	-	

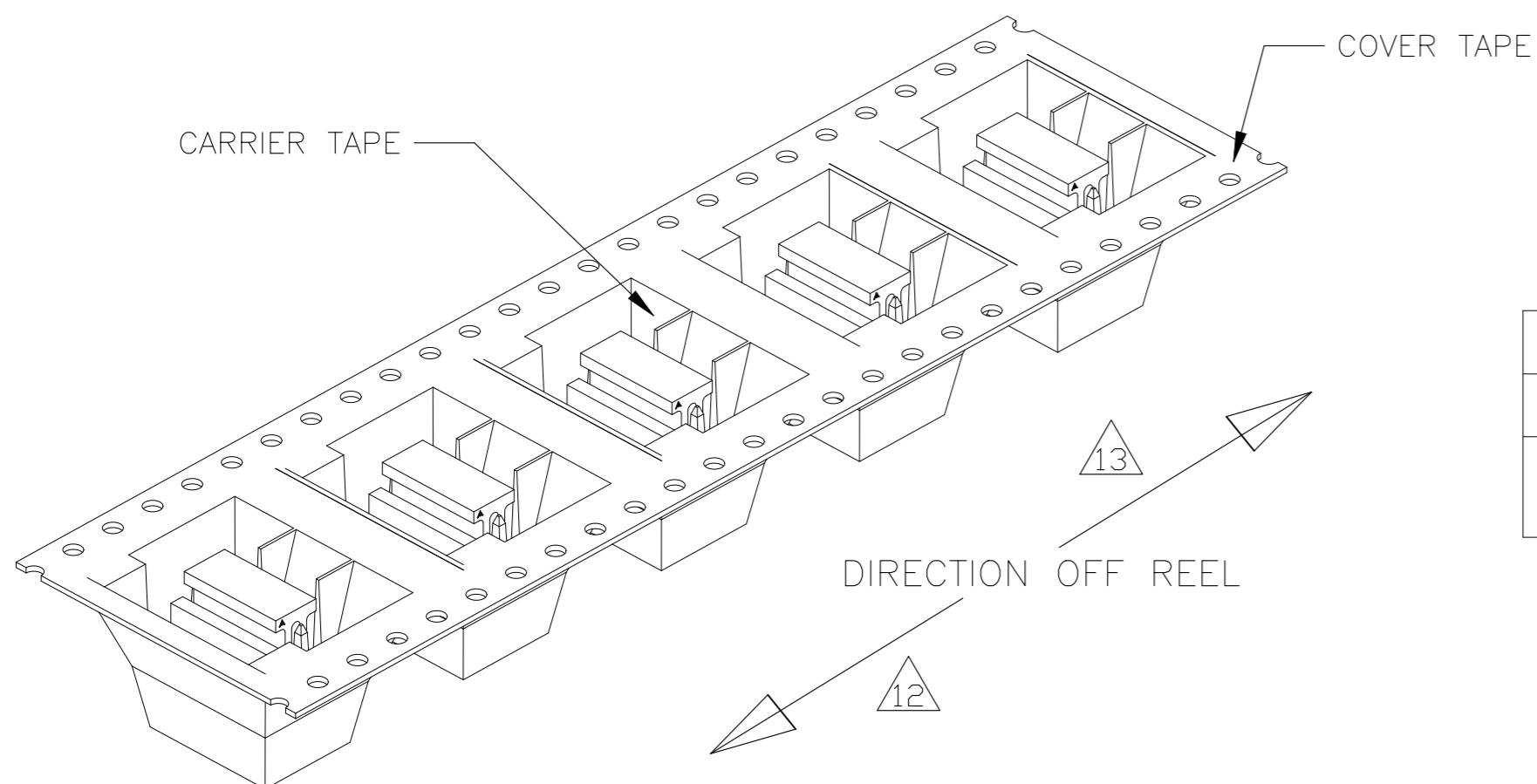
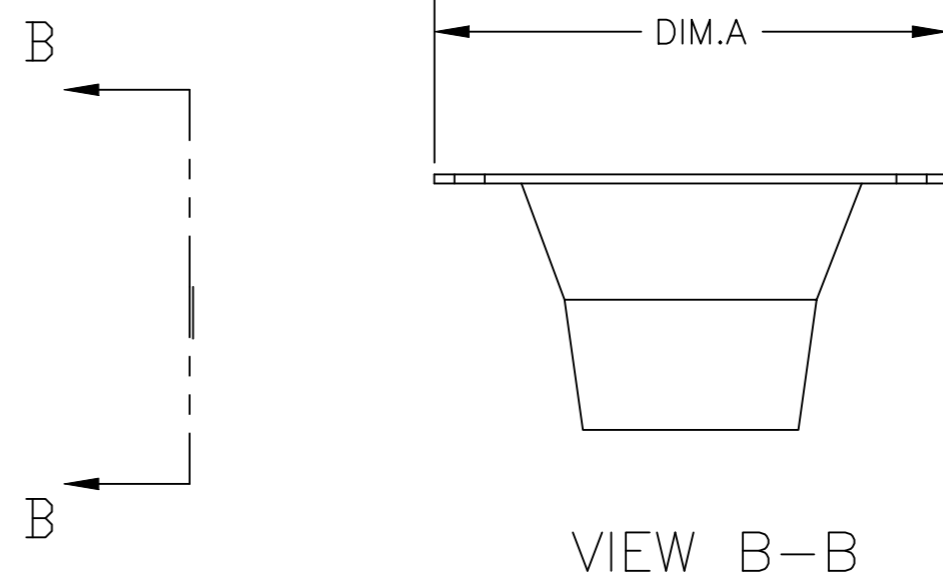
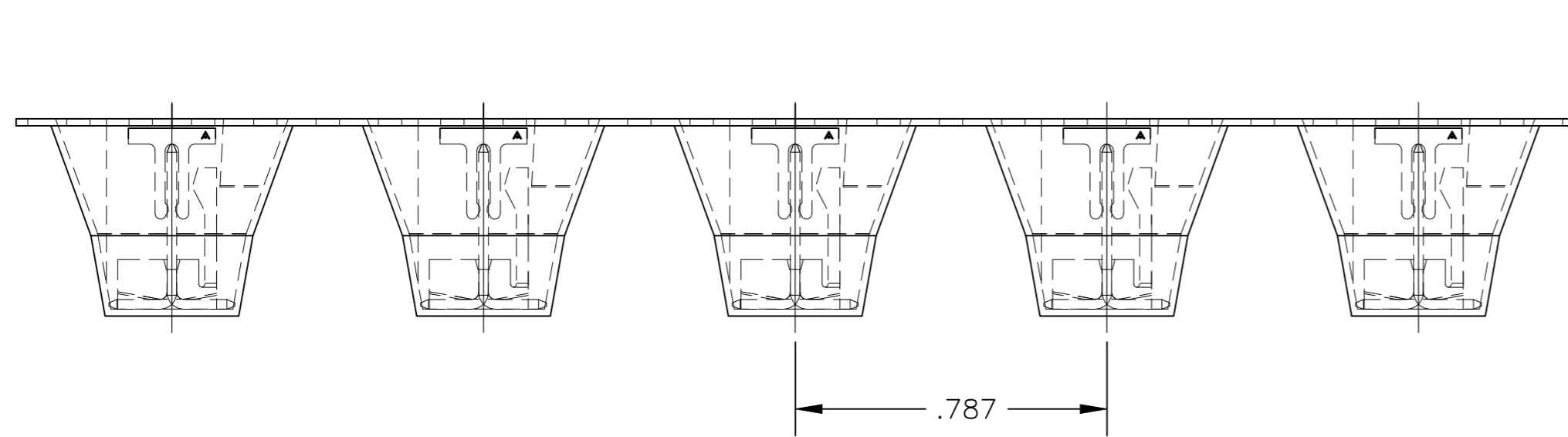
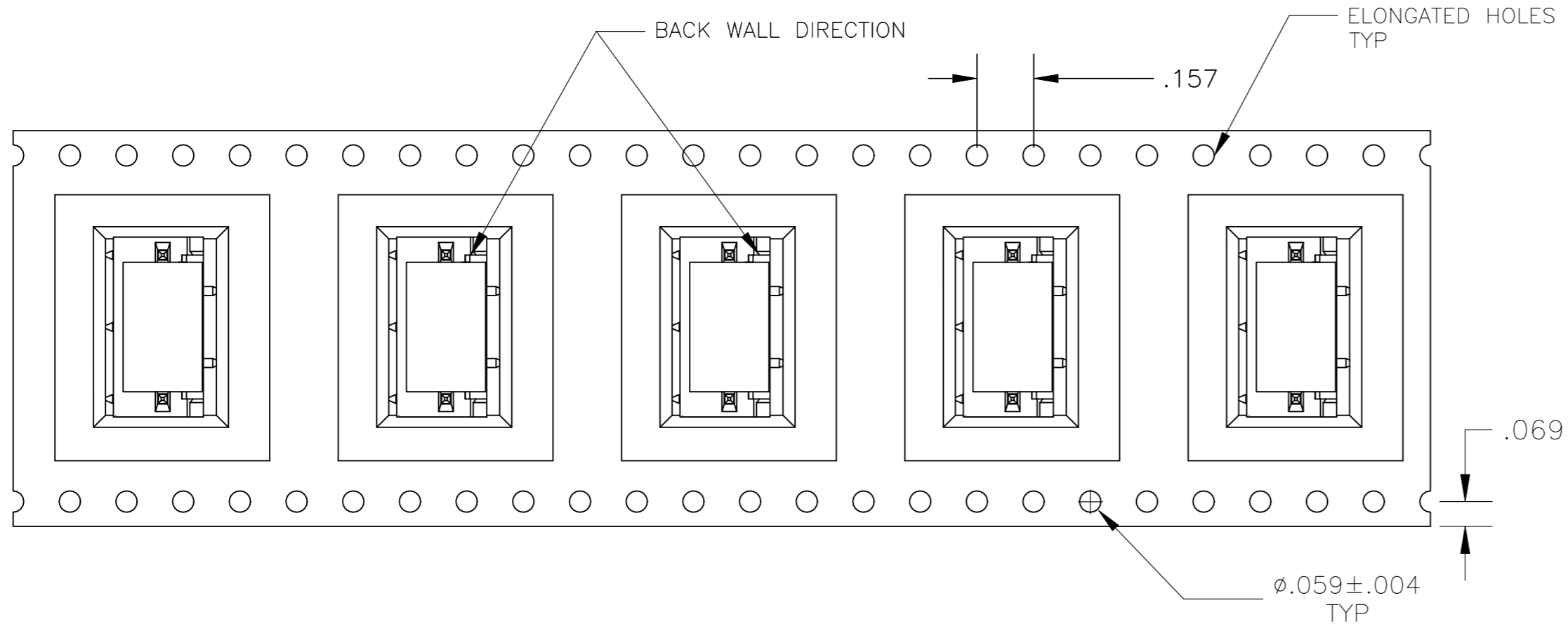
TE TE Connectivity Ltd.

MTA100 HEADER ASSY, SURFACE MOUNT, FRICTION LOCK, .025 SQ. POST, TAPE W/CAP

SIZE	A2	CAGE CODE	00779	DRAWING NO	C=1744382	RESTRICTED TO	-
SCALE	3:1	SHEET	1 of 4	REV	B1		

CUSTOMER DRAWING

P	LTR	DESCRIPTION	DATE	DWN	APVD
-	-	SEE SHEET 1	-	-	-



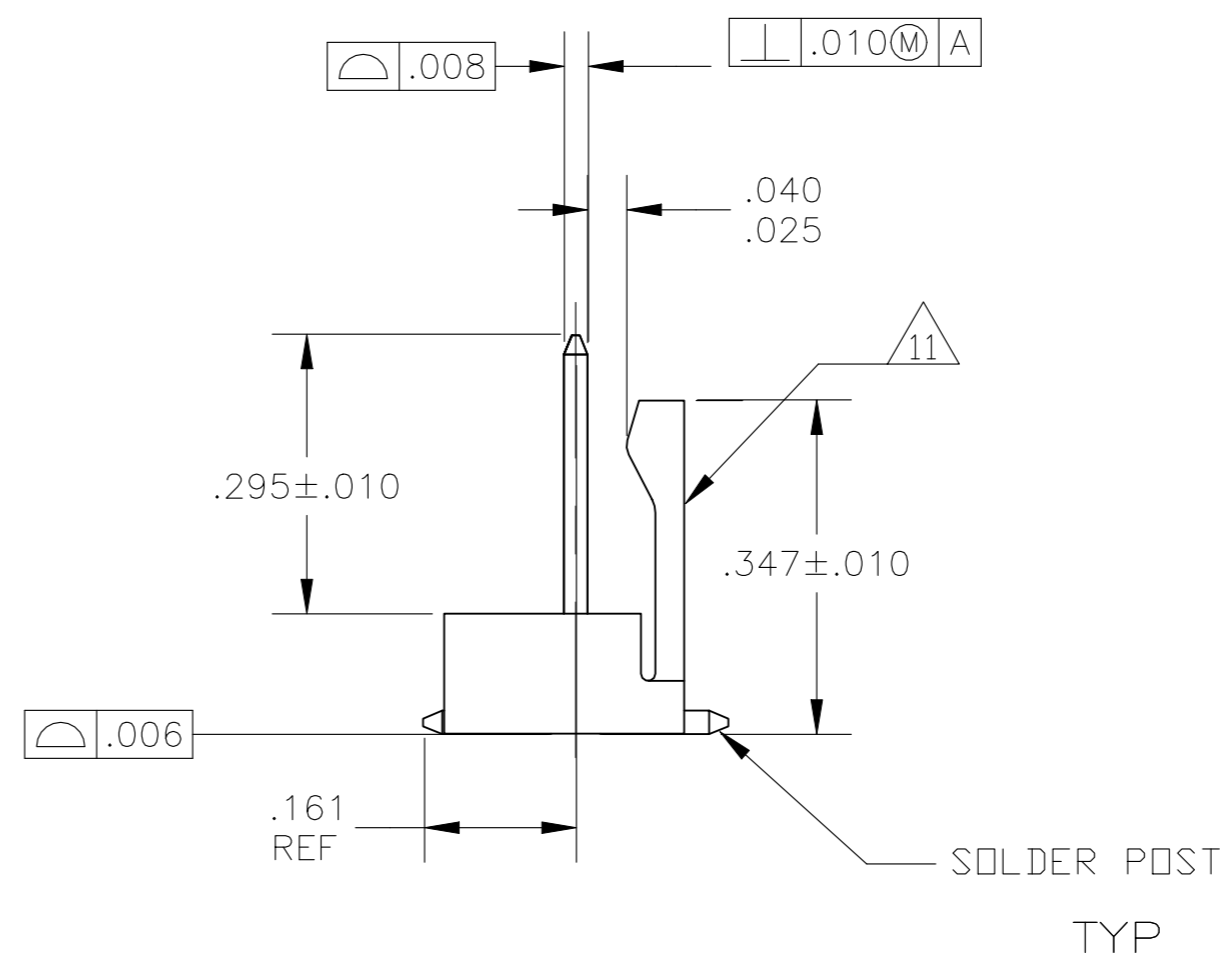
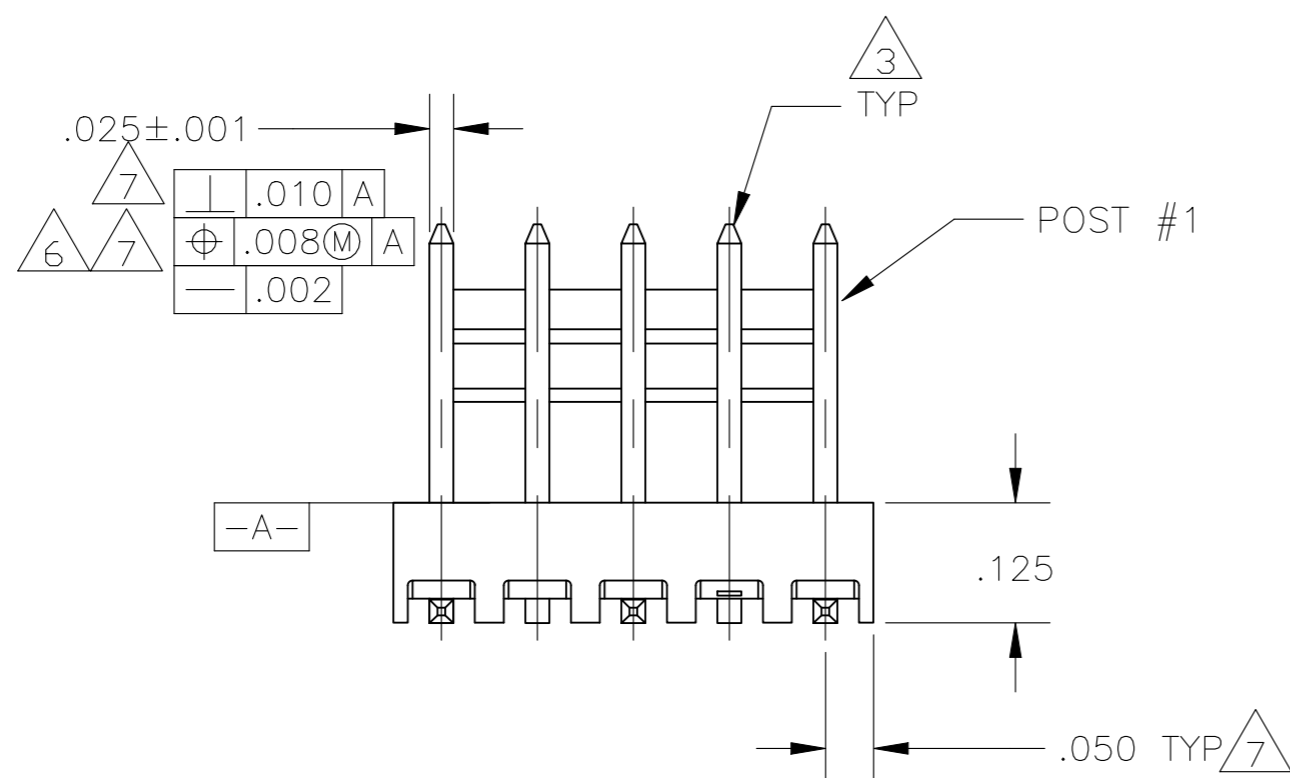
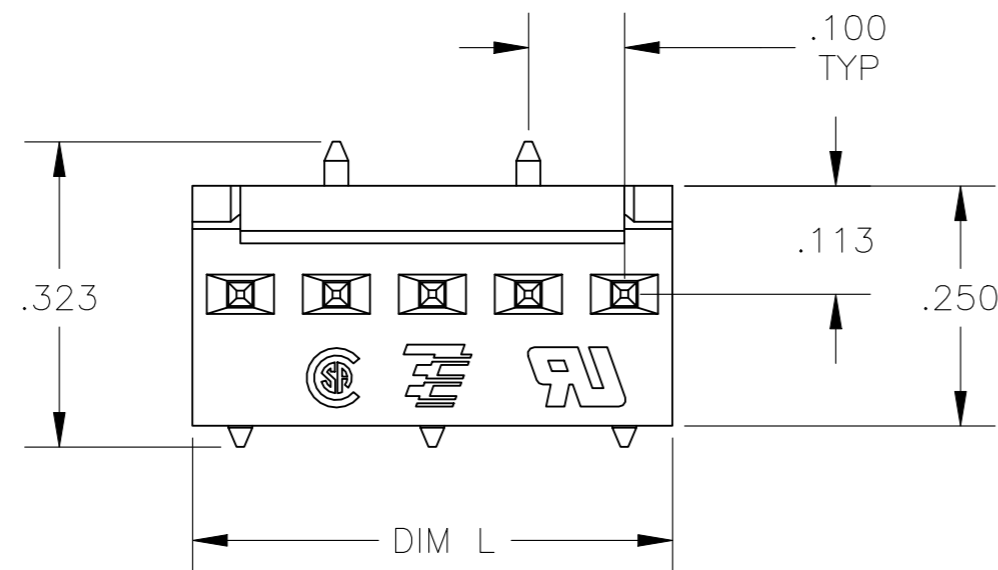
$\triangle 13$	1.26 [32mm]	972366-4	1706504-4	147117-5	4	3-647166-4	1-1744382-4
$\triangle 12$	1.26 [32mm]	972366-4	1706504-4	147117-5	4	3-647166-4	1744382-4
REELING DIRECTION	DIM A	COVER TAPE	CARRIER TAPE	PICK AND PLACE CAP	NO. OF POSITIONS	HEADER ASSEMBLY	PART NO

THIS DRAWING IS A CONTROLLED DOCUMENT.

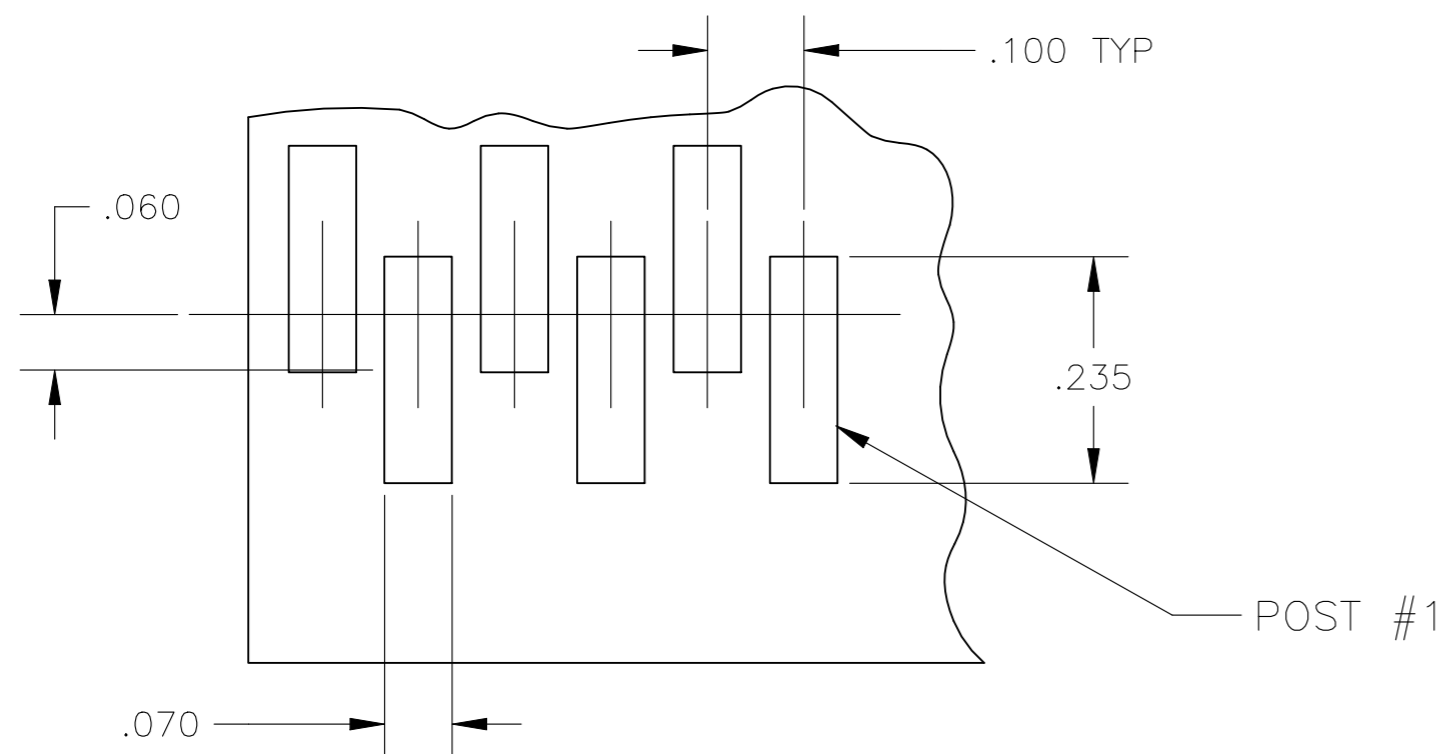
DIMENSIONS: INCHES	TOLERANCES UNLESS OTHERWISE SPECIFIED: 0 PLC ± - 1 PLC ± - 2 PLC ± - 3 PLC ± .015 4 PLC ± - ANGLES ± 1°	DWN jr ruth 30MAR11 CHK SAM MACE 30MAR11 APVD SAM MACE 30MAR11 PRODUCT SPEC 108-1050 APPLICATION SPEC 114-1019	NAME MTA100 HEADER ASSY, SURFACE MOUNT, FRICTION LOCK, .025 SQ. POST, TAPE W/CAP
MATERIAL -	FINISH -	WEIGHT -	SIZE A2 CAGE CODE 00779 DRAWING NO C=1744382 RESTRICTED TO -
CUSTOMER DRAWING		SCALE 3:1	SHEET 2 of 4 REV B1

TE Connectivity Ltd.

REVISIONS					
P	LTR	DESCRIPTION	DATE	DWN	APVD
-	-	SEE SHEET 1	-	-	-



MTA-100 HEADER SHOWN

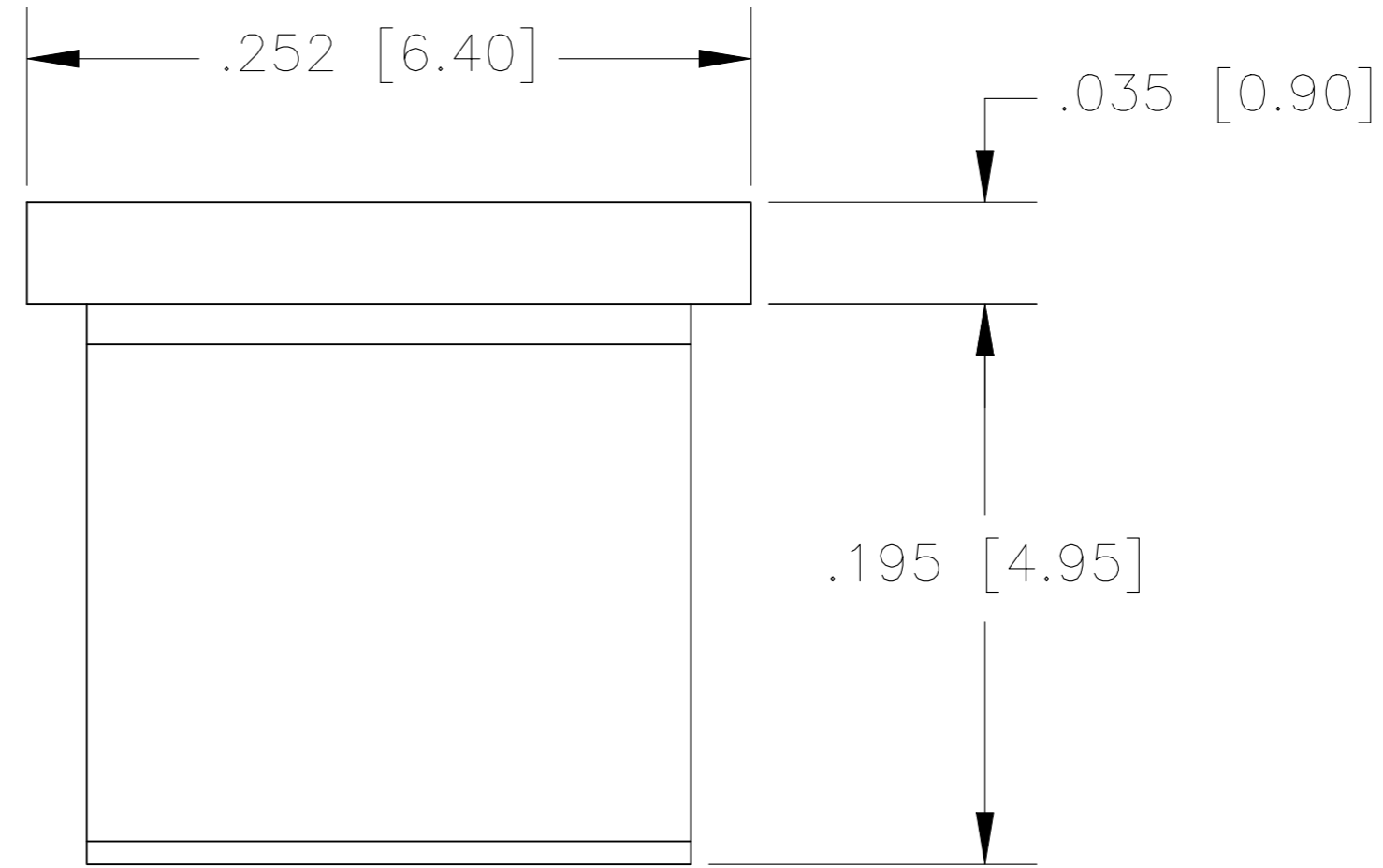
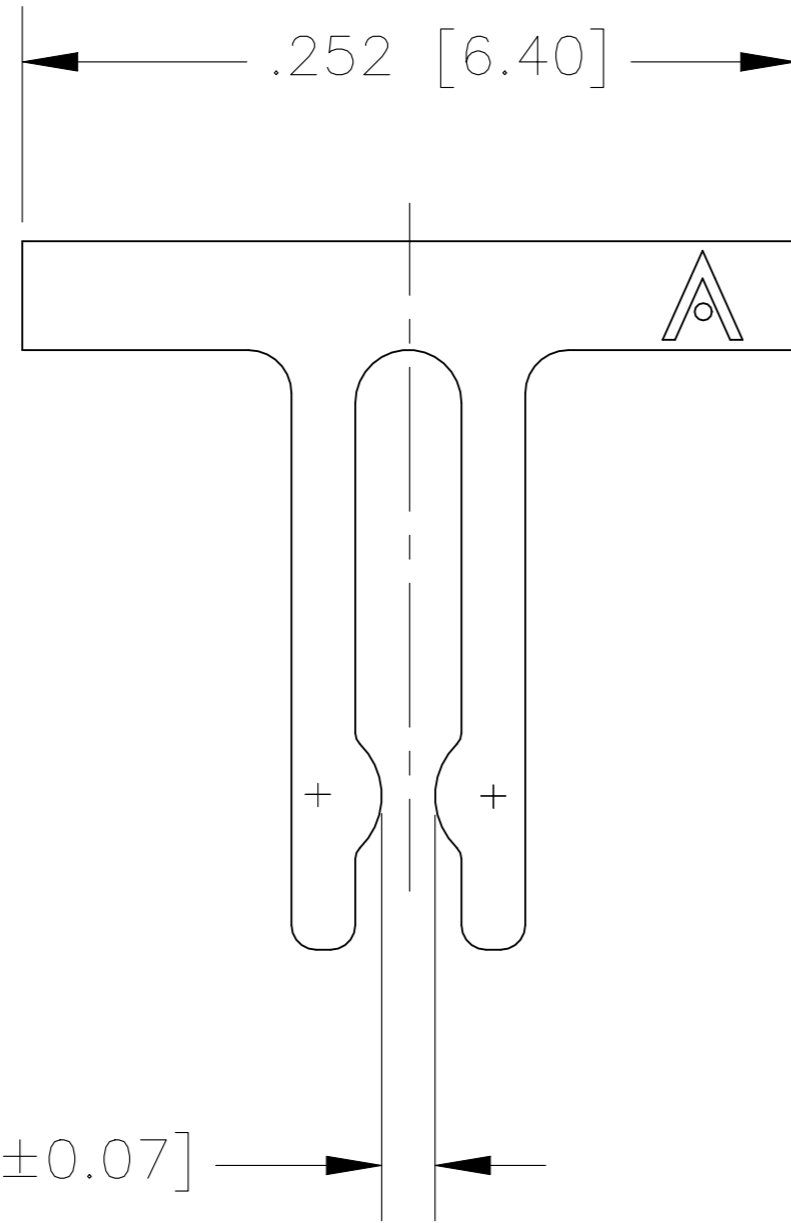


RECOMMENDED P.C. BOARD LAYOUT FOR USE WITH .010 THICK STENCIL

DIM L	NO. OF POSITIONS	HEADER ASSEMBLY	PART NO
OBSOLETE	12	4-647166-2	1-1744382-2
.800 [20.32mm]	8	3-647166-8	1744382-8
.700 [17.78mm]	7	3-647166-7	1744382-7
.600 [15.24mm]	6	3-647166-6	1744382-6
.500 [12.70mm]	5	3-647166-5	1744382-5
.400 [10.16mm]	4	3-647166-4	1744382-4

THIS DRAWING IS A CONTROLLED DOCUMENT.		DWN jr ruth 30MAR11	TE Connectivity Ltd.	
DIMENSIONS: INCHES		CHK SAM MACE 30MAR11	NAME MTA100 HEADER ASSY, SURFACE MOUNT, FRICTION LOCK, .025 SQ. POST, TAPE W/CAP	
TOLERANCES UNLESS OTHERWISE SPECIFIED: 0 PLC ± - 1 PLC ± - 2 PLC ± - 3 PLC ± .015 4 PLC ± - ANGLES ± 1°		APVD SAM MACE 30MAR11	PRODUCT SPEC 108-1050	
MATERIAL		APPLICATION SPEC 114-1019	SIZE A2	CAGE CODE 00779
FINISH		WEIGHT	DRAWING NO C=1744382	RESTRICTED TO -
CUSTOMER DRAWING			SCALE 3:1	SHEET 3 of 4
			REV B1	

P	LTR	DESCRIPTION	DATE	DWN	APVD
-	-	SEE SHEET 1	-	-	-



CAP FOR HEADER

1744382

THIS DRAWING IS A CONTROLLED DOCUMENT.		DWN jr ruth 30MAR11	STE TE Connectivity Ltd.	
DIMENSIONS: INCHES [MM]		CHK SAM MACE 30MAR11		
TOLERANCES UNLESS OTHERWISE SPECIFIED:		APVD SAM MACE 30MAR11	NAME MTA100 HEADER ASSY, SURFACE MOUNT, FRICTION LOCK, .025 SQ. POST, TAPE W/CAP	
0 PLC ± -		PRODUCT SPEC 108-1050	SIZE A2	CAGE CODE 00779
1 PLC ± -		APPLICATION SPEC 114-1019	DRAWING NO C=1744382	RESTRICTED TO -
2 PLC ± -		MATERIAL -	SCALE 3:1	SHEET 4 OF 4
3 PLC ± .015[0.40]		FINISH -	CUSTOMER DRAWING	REV B1
4 PLC ± -				
ANGLES ± 1°				