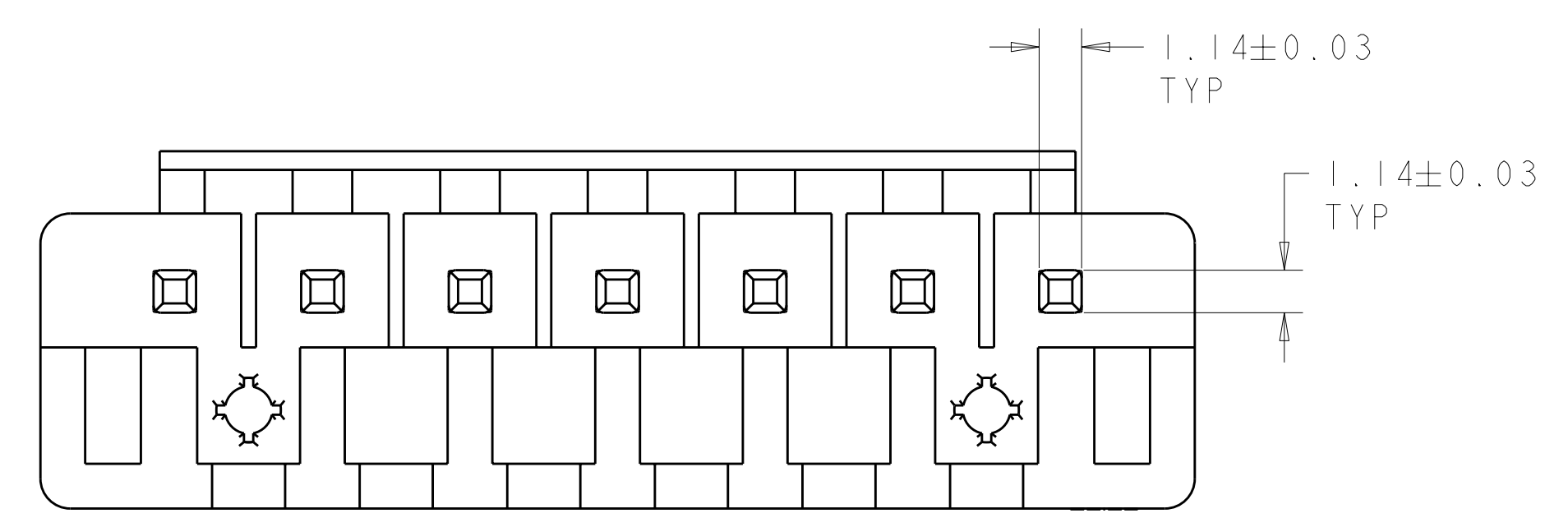
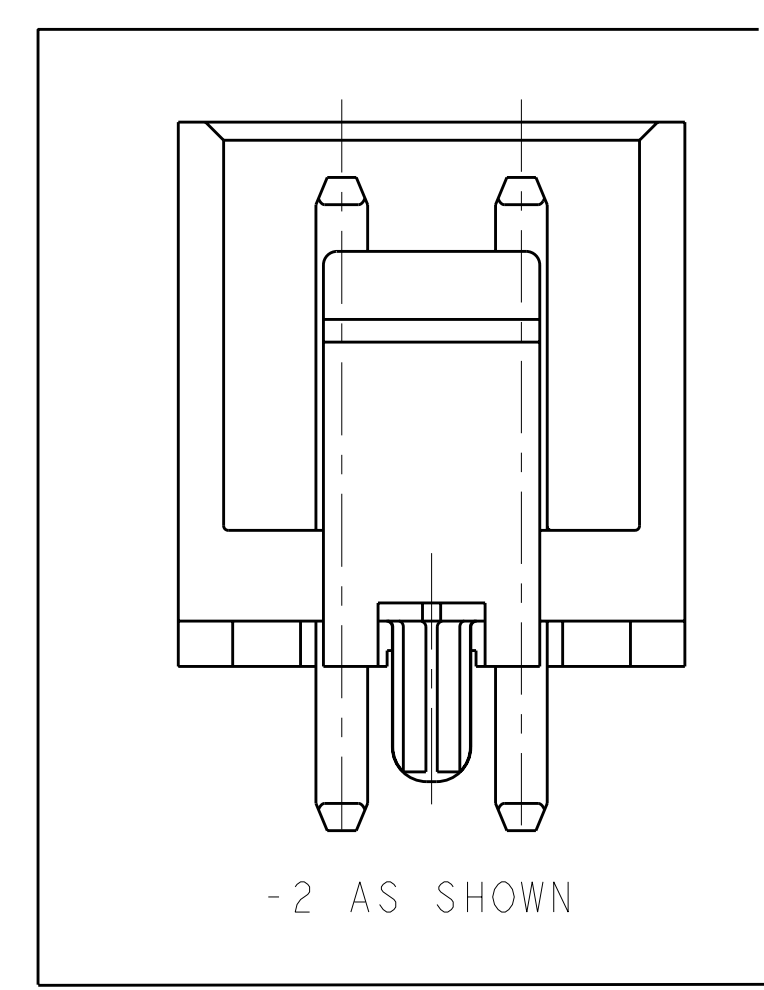
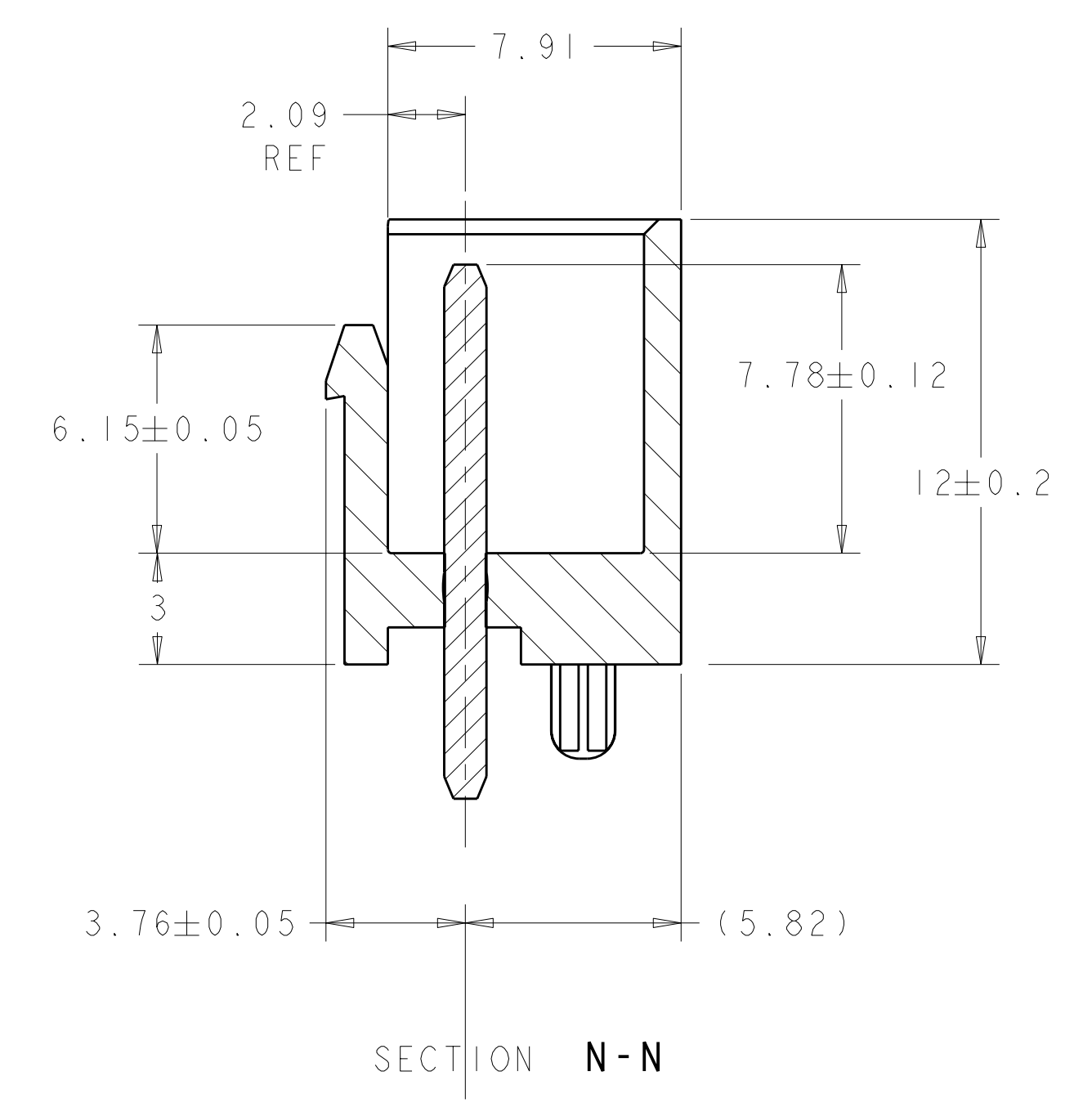
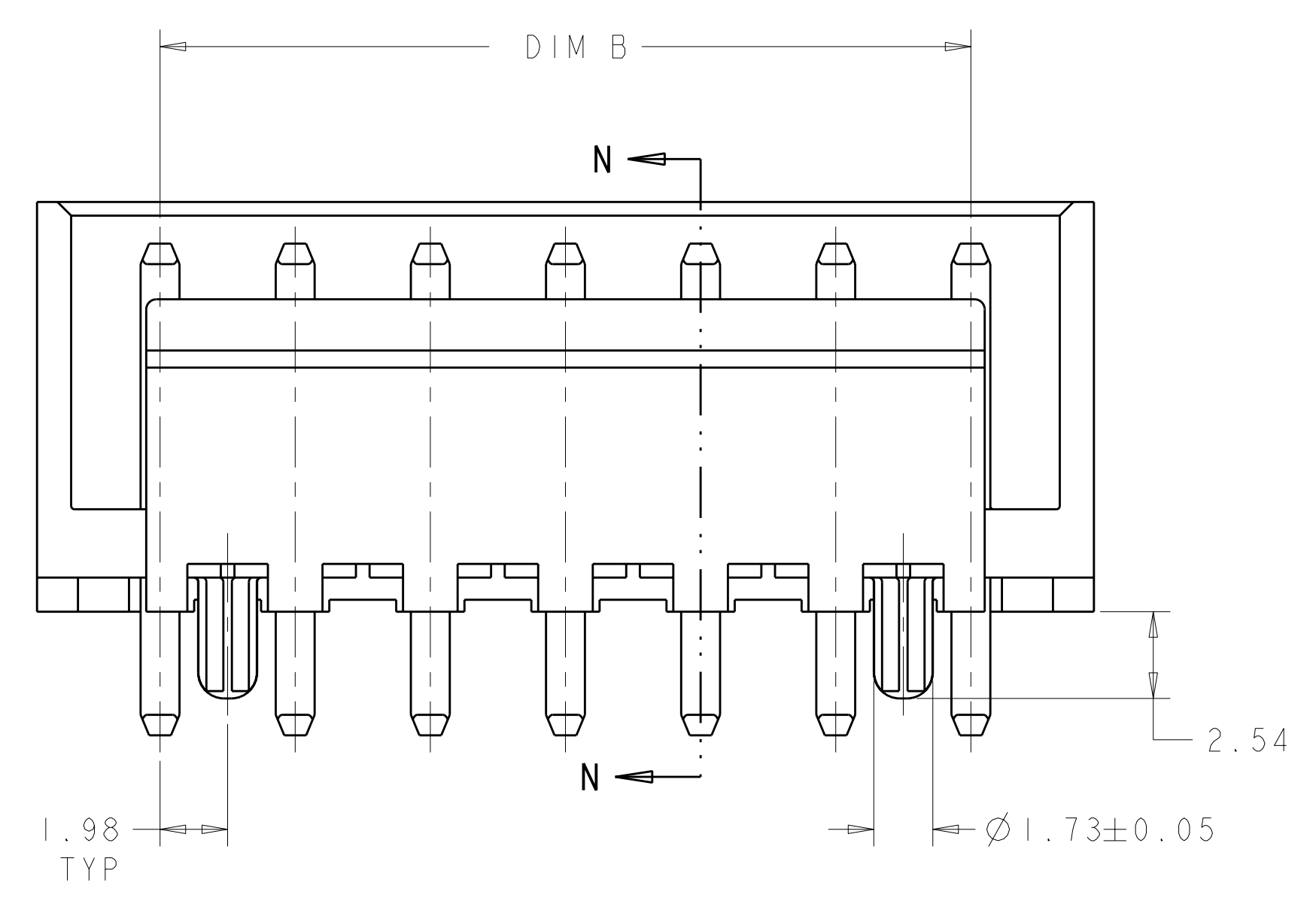
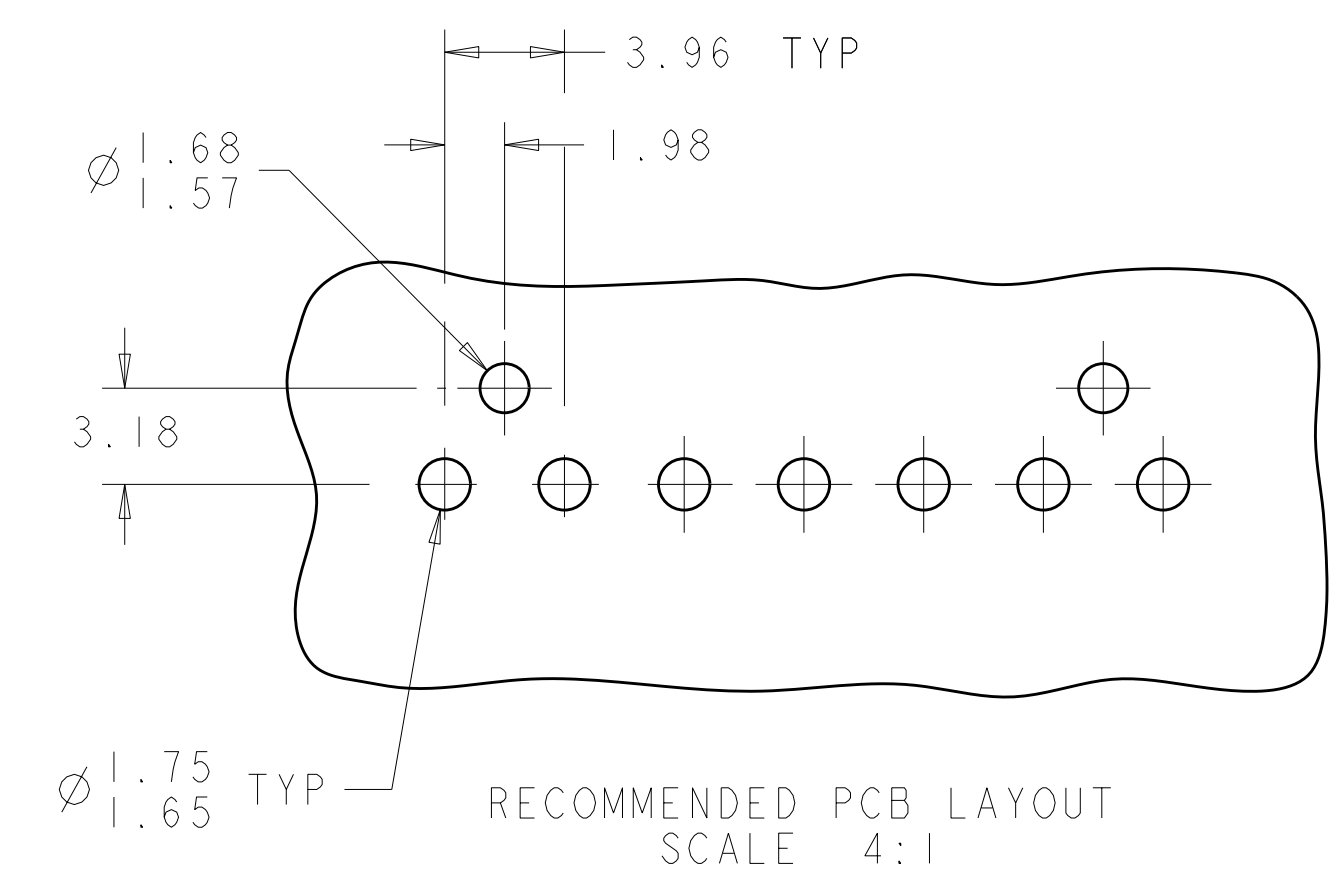
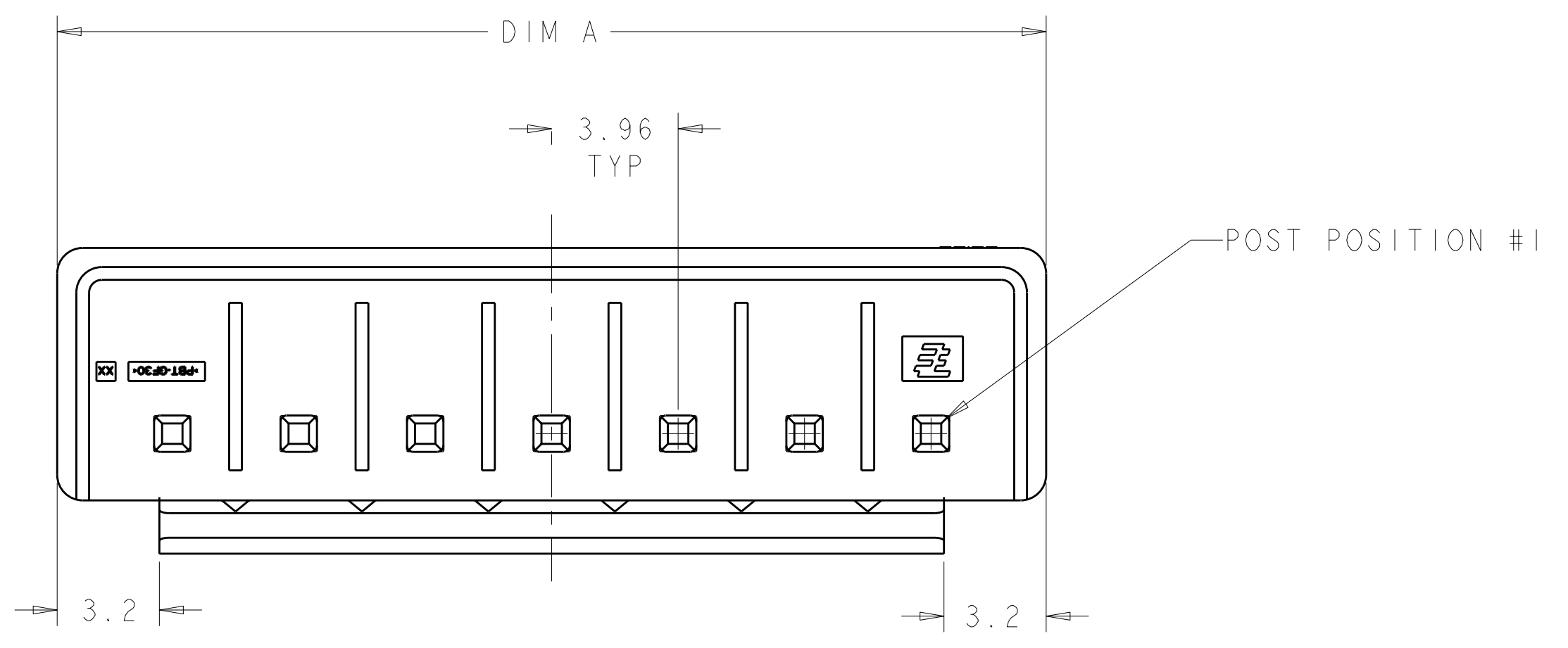


LOC	DIST	REVISIONS			
P	LTR	DESCRIPTION	DATE	DNW	APVD
GP	00	A	DRAWN	-	-

△ MATERIAL: HOUSING; PBT GLASS FILLED UL94V-0  
CONTACT; BRASS  
△ FINISH: CONTACT, 1.0μ MIN TIN OVER 0.8 MIN NICKEL.



												0	0	0	0	0	0	0	23.76	30.97	BLACK	7	1744408-7
12	11	10	9	8	7	6	5	4	3	2	1	DIM B			DIM A		COLOR	NO. OF POSN	ASS'Y P/N				
POST POSITION																							

"0" WITH POST  
"X" WITHOUT POST



THIS DRAWING IS A CONTROLLED DOCUMENT.		DRN: JR_RUTH 21NOV11	TE Connectivity SHROUDED HEADER ASSEMBLY, BLACK, SINGLE LATCH, 3.96mm PITCH, ECONOMY POWER (EP)
DIMENSIONS: mm		CHK: SAM_MACE 21NOV11	
TOLERANCES UNLESS OTHERWISE SPECIFIED:		APVD: SAM_MACE 17DEC2008	NAME: SHROUDED HEADER ASSEMBLY, BLACK, SINGLE LATCH, 3.96mm PITCH, ECONOMY POWER (EP)
9 PLC ±	3 PLC ±0.10	PRODUCT SPEC	APPLICATION SPEC
5 PLC ±	4 PLC ±	SIZE CAGE CODE DRAWING NO	RESTRICTED TO
ANGLES ±	FINISH ±	WEIGHT	A100779C=1744408
MATERIAL: △	FINISH: △	CUSTOMER DRAWING	SCALE 6:1 SHEET 1 OF 1 REV A