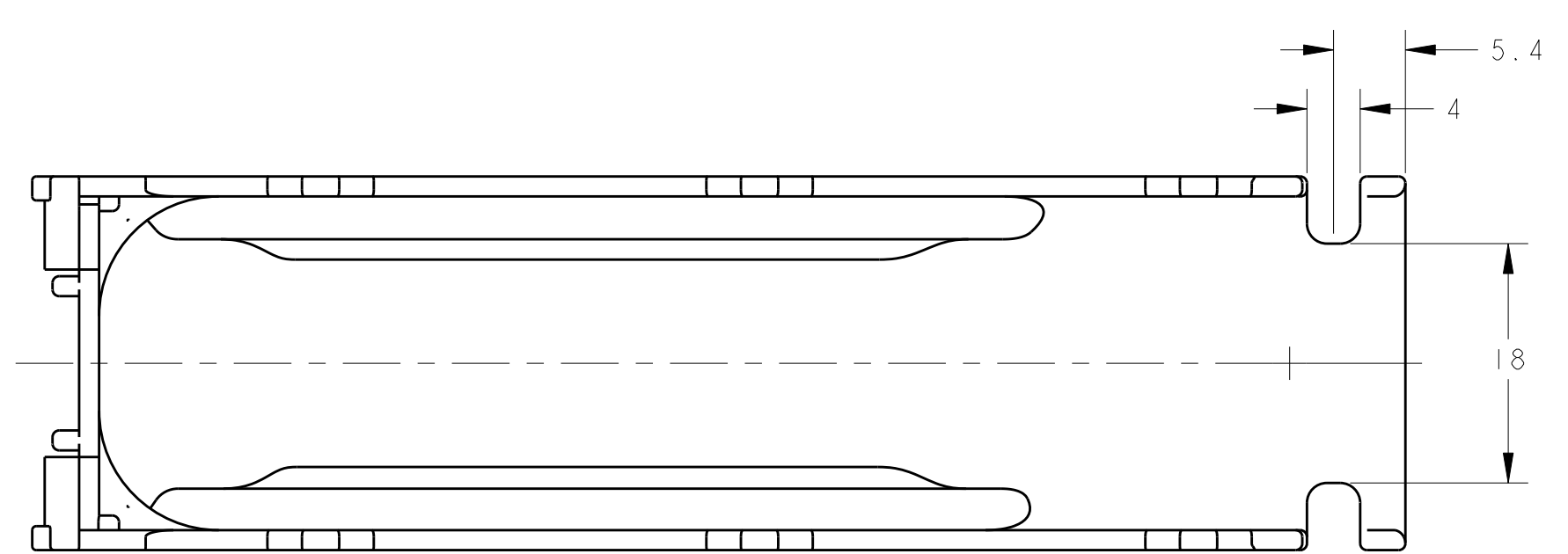
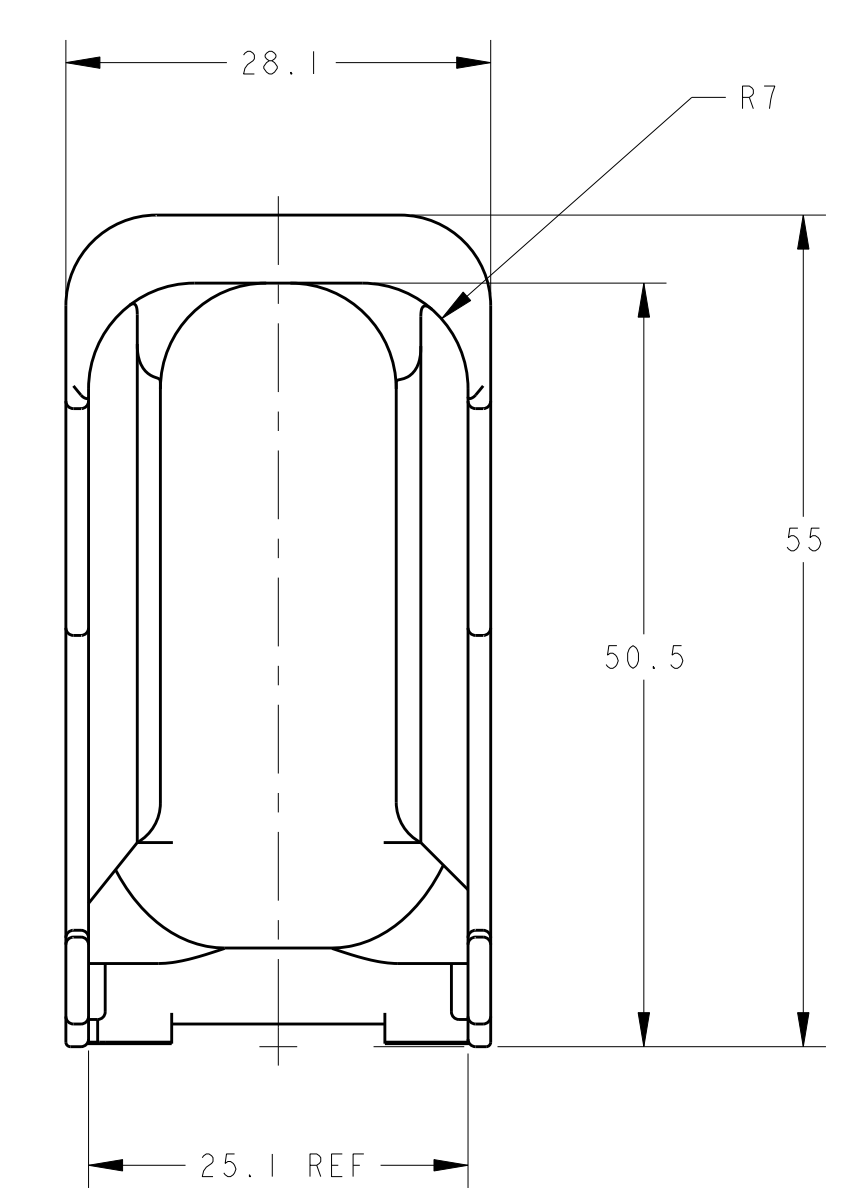
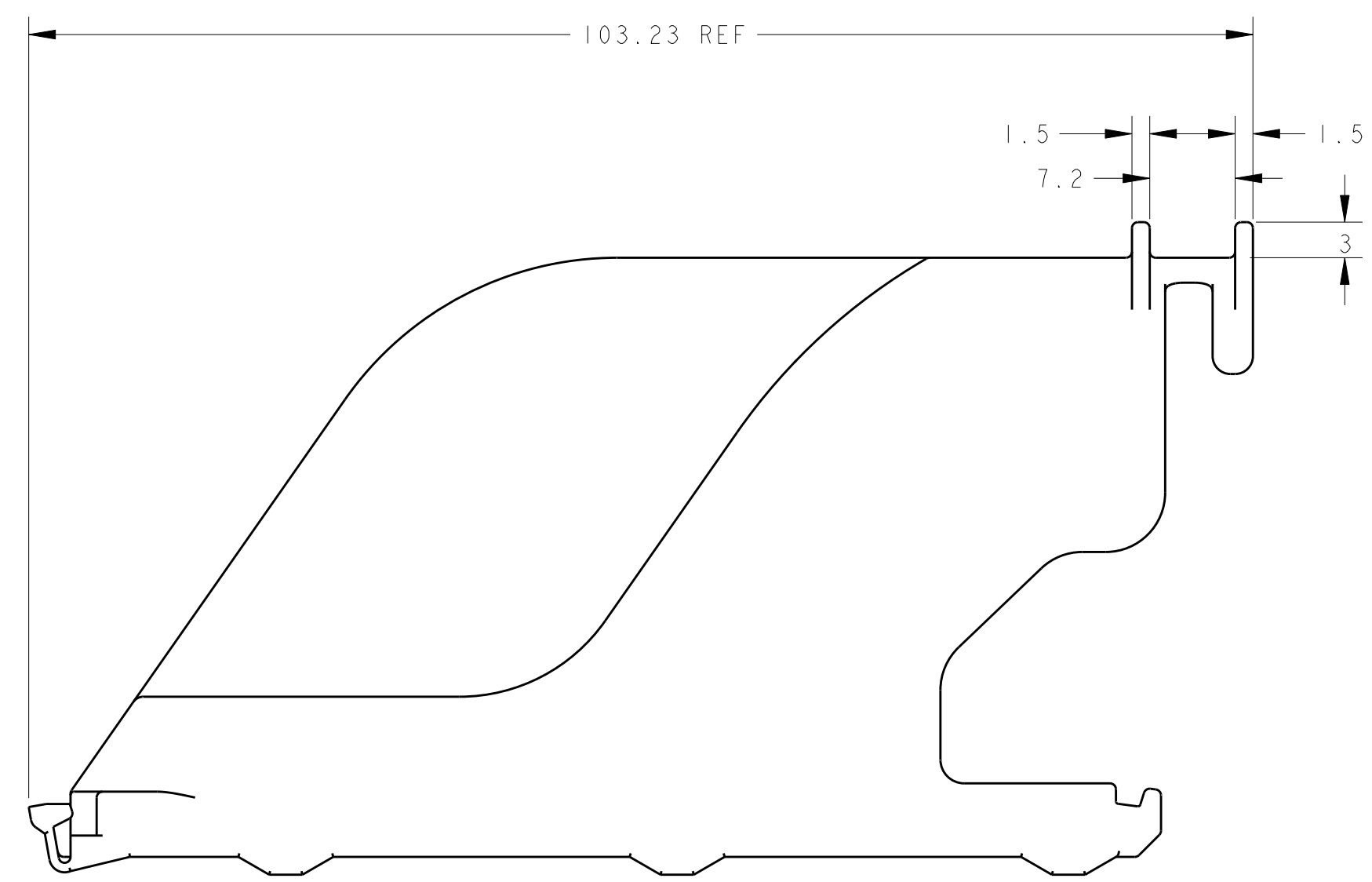
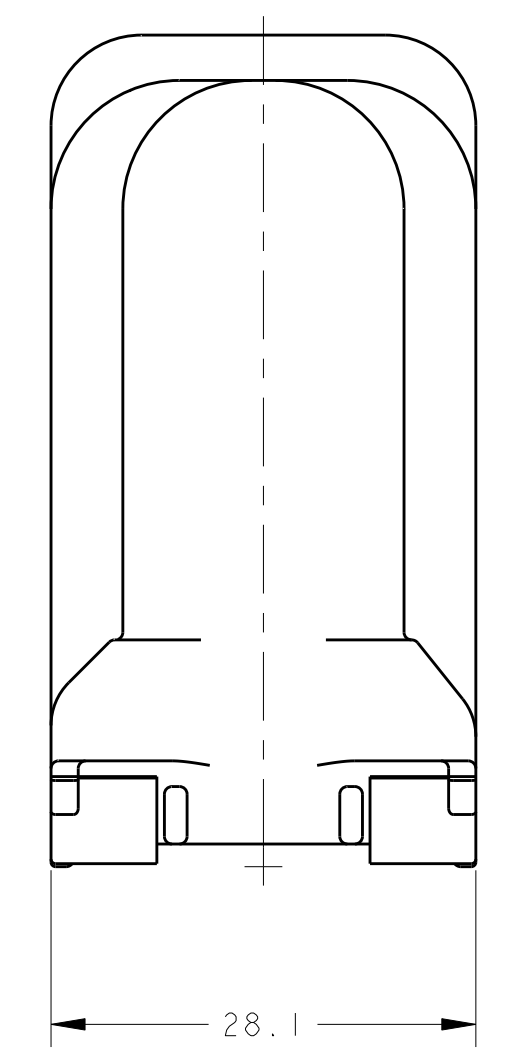
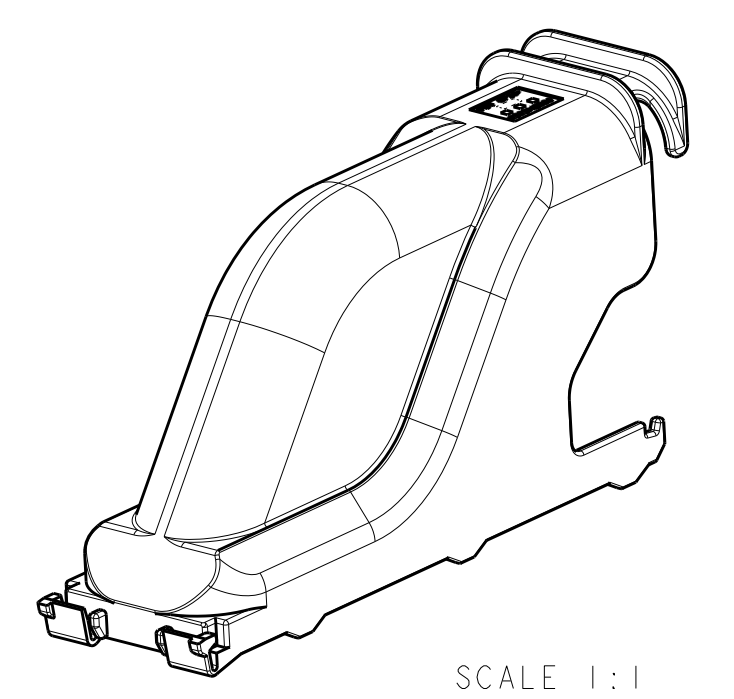
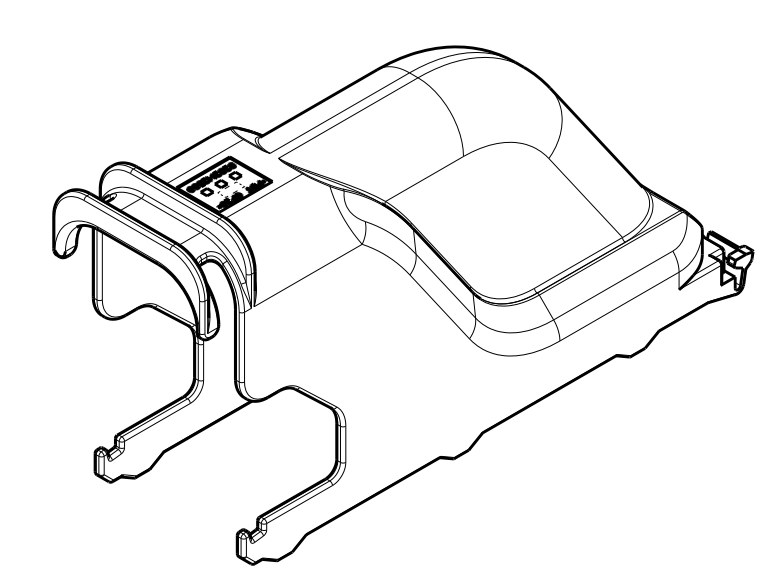
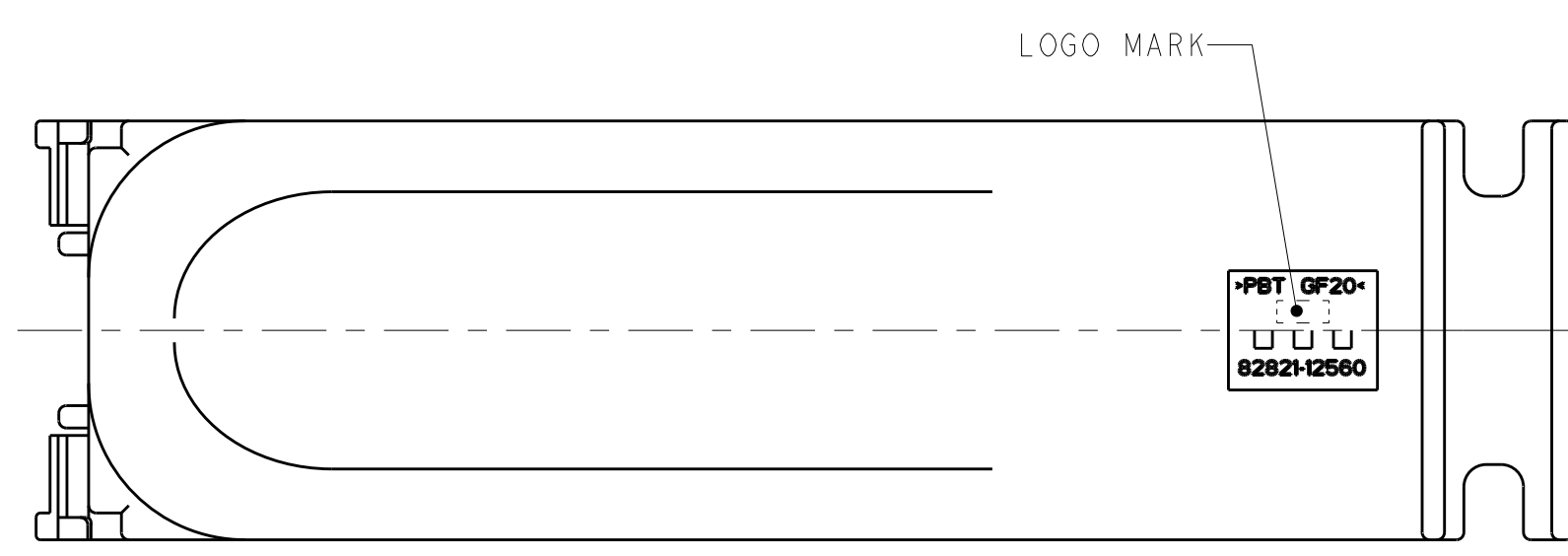


LOC	DIST	REV	DATE	BY	APPD
J	-	A	01 JUL 2015	TS	KB



1. THIS PRODUCT IS A PART TO BE MOUNTED TO THE FOLLOWING PLUG HOUSINGS.
 PART No. 1612275, 1747137
 2. FOLLOW INSTRUCTIONS IN INSTRUCTION SHEETS No. 411-78084 FOR USING THIS PRODUCT.

1. 本製品は下記のプラグハウジングに組み付けて使用されるものである。
 PART No. 1612275, 1747137
 2. 本製品の使用に際しては、取扱説明書 No. 411-78084 の指示に従うこと。

BLACK	1746816-1
COLOR	P/N

THIS DRAWING IS A CONTROLLED DOCUMENT.		OWN T. SHINOHARA 01 JUL 2015	DRAWING NO.	
DIMENSIONS:		CHK R. KOMIYAMA 01 JUL 2015	DRAWING NO.	
TOLERANCES UNLESS OTHERWISE SPECIFIED:		APVD H. YAMAGAMI 01 JUL 2015	DRAWING NO.	
mm		PRODUCT SPEC	DRAWING NO.	
0-PLC ±0.5		APPLICATION SPEC	DRAWING NO.	
1-PLC ±0.3		RESTRICTED TO	DRAWING NO.	
2-PLC ±0.15		SIZE	DRAWING NO.	
3-PLC ±0.05		WEIGHT	DRAWING NO.	
4-PLC ±0.001		20.2g	DRAWING NO.	
ANGLES ±0.001		CUSTOMER DRAWING	DRAWING NO.	
FINISH		SCALE	DRAWING NO.	
MATERIAL		2:1	DRAWING NO.	
PBT GF20		SHEET	DRAWING NO.	
		1	DRAWING NO.	
		OF	DRAWING NO.	
		1	DRAWING NO.	
		REV	DRAWING NO.	
		A	DRAWING NO.	