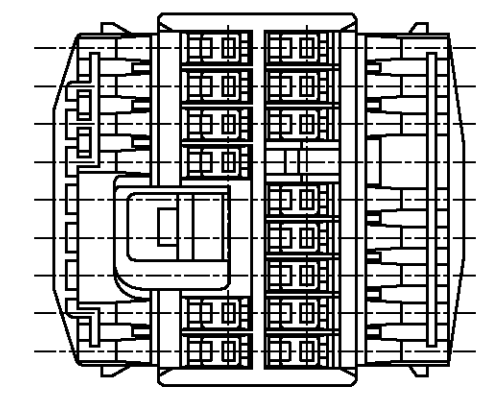
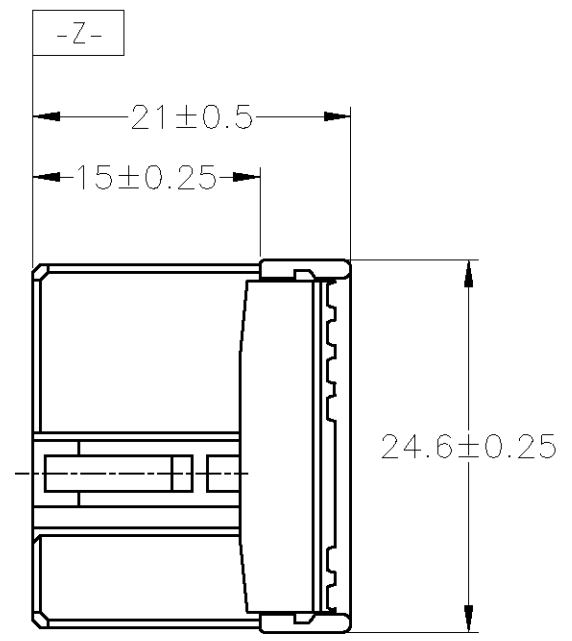
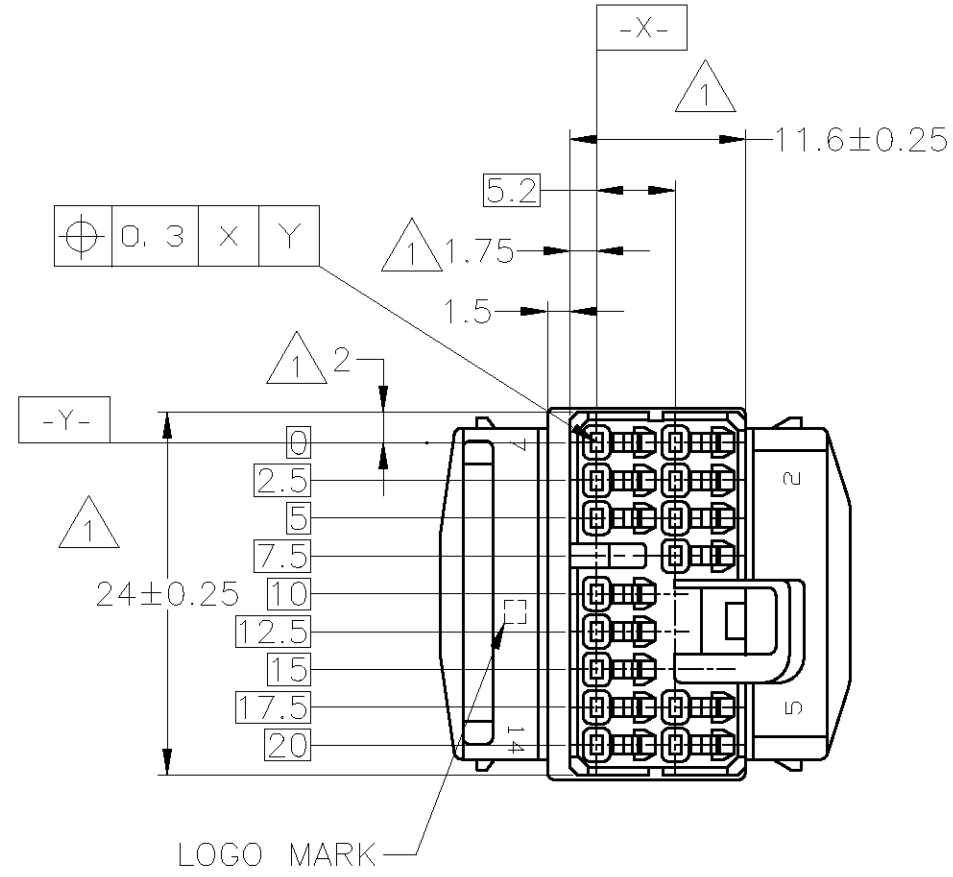
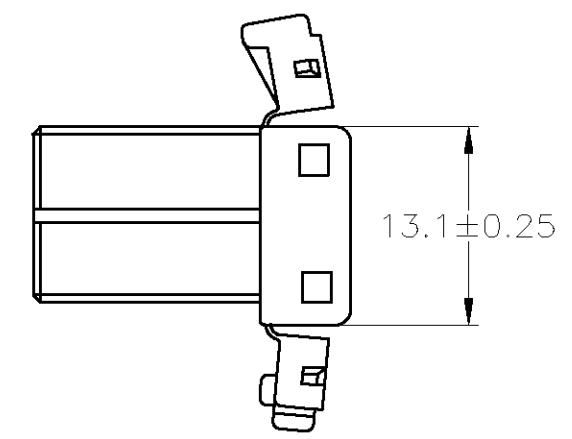


THIS DRAWING IS UNPUBLISHED. RELEASED FOR PUBLICATION
 © COPYRIGHT - By Tyco Electronics JAPAN G.K. ALL RIGHTS RESERVED.

LOC	DIST	REVISIONS					
J	-	P	LTR	DESCRIPTION	DATE	DWN	APVD
			02	REVISED	ECR-12-006028	04APR2012	SS YN



-1 ; AS SHOWN
 -1 ; 本図



- 1. MUST BE KEPT BETWEEN [-Z-] AND 2mm.
- 2. APPLIED CONTACT PART NUMBER ; 173681, 175180
- 1. [-Z-] 面より 2mm の範囲で測定。
- 2. 内装するコンタクト型番 ; 173681, 175180

THIS DRAWING IS A CONTROLLED DOCUMENT.		DWN Y.SAKURAI 27FEB2004	TE Connectivity	
DIMENSIONS: 単位: 耗 mm		CHK E.TAKIZAWA 27FEB2004		
TOLERANCES UNLESS OTHERWISE SPECIFIED: 一般公差		APVD Y.FUJIWARA 27FEB2004	NAME 名称 040 MULTI-LOCK I/O CONNECTOR 14POSITION PLUG HOUSING	
0-PLC ± 1-PLC ± ±0.2 2-PLC ± ±3° 3-PLC ± ±3° 4-PLC ± ± ANGLES ± ±		PRODUCT SPEC 製品規格 108-5471	SIZE A3	
MATERIAL 材料 PBT		FINISH 仕上 -	APPLICATION SPEC 取付適用規格	CAGE CODE 00779
		WEIGHT 4.5g	DRAWING NO 番号 C-1746847	RESTRICTED TO -
		CUSTOMER DRAWING		SCALE 尺度 2:1
				SHEET 1 OF 1
				REV 02