

LOC	DIST	REVISIONS 変更					
J	-	P	LTR	DESCRIPTION	DATE	DWN	APVD
			A	REVISED	ECR-06-006021	13MAR2006	TS

SEE CUSTOMER DRAWING 1746864


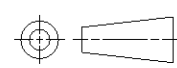
20

RELEASED FOR PUBLICATION

THIS DRAWING IS UNPUBLISHED.

BY TYCO ELECTRONICS CORPORATION. ALL RIGHTS RESERVED.

© COPYRIGHT 20

DIMENSIONS: 単位: 概 mm	DWN T. SHINOHARA	13MAR06	MATERIAL 材料	-	FINISH 仕上	-
	CHK K. BETSUI	13MAR06	 Tyco Electronics AMP K.K. Kawasaki, Japan			
APVD K. BETSUI	13MAR06					
TOLERANCES UNLESS OTHERWISE SPECIFIED: 一般公差	PRODUCT SPEC 製品規格	NAME 名称 0.64111/2.311 SERIES CONNECTOR 24POSITION PLUG ASSEMBLY				
	APPLICATION SPEC 取付適用規格					
0 PLC ±- 1 PLC ±0.1 2 PLC ±0.01 3 PLC ±0.001 4 PLC ±0.0001 ANGLES ±1°00'	WEIGHT	-	SIZE A4	CAGE CODE -	DRAWING NO 番号 C=1746864-3	RESTRICTED TO -
			CUSTOMER DRAWING		SCALE 尺度	SHEET OF REV A